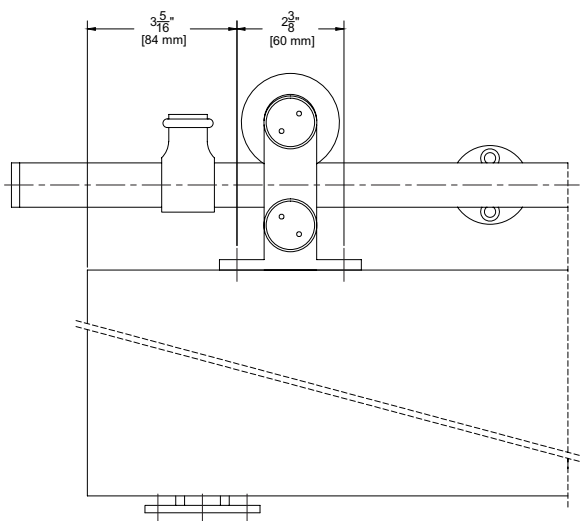
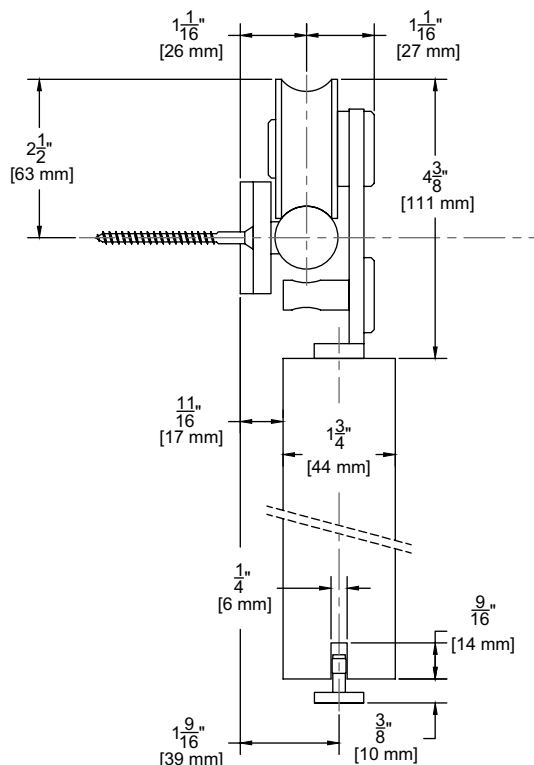


# Stainless Steel Sliding Track Hardware System

## W60 Series for Wood Doors

For Sliding Panels up to 176 lbs.



### Configurations:

- Single
- Bi-parting

### Installations:

- Side Wall Mount (only)

### Features:

- Made of 304 stainless steel
- Nylon coated stainless steel wheel for smooth operation
- 176 lb. panel capacity
- 5 year warranty

### Finishes:

- Brushed Stainless Steel (W60)
- Dark Bronze Stainless Steel (W60D)
- Polished Stainless Steel (W60P)

### Kits Include:

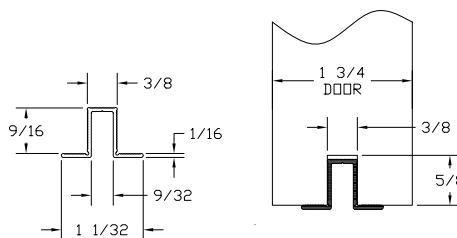
- 1 ea **BAR/\_** Stainless Steel Track
- **BRACKET2** Stainless Steel Wall Brackets
- 2 ea **62** Stainless Steel Hangers
- 1 ea **WOODGUIDE** Stainless Steel Guide
- 2 ea **STOP2** Stainless Steel Stops Mounting Hardware

Note: If ordering individual parts in the optional Dark Bronze or Polished finishes, be sure to include a prefix "D" for Dark Bronze or "P" for Polished Stainless

Standard Kit Sizes			
Part Number	Material	Track Length	Door Width
W60/6	304 Stainless Steel	78 <sup>3</sup> / <sub>4</sub> "	36"
W60/8	304 Stainless Steel	98 <sup>7</sup> / <sub>16</sub> "	48"
W60D/6	304 Dark Bronze Stainless Steel	78 <sup>3</sup> / <sub>4</sub> "	36"
W60D/8	304 Dark Bronze Stainless Steel	98 <sup>7</sup> / <sub>16</sub> "	48"
W60P/6	304 Polished Stainless Steel	78 <sup>3</sup> / <sub>4</sub> "	36"
W60P/8	304 Polished Stainless Steel	98 <sup>7</sup> / <sub>16</sub> "	48"

### Options: See page SF-37

- Bottom Channel **94A**
- Roller Guide **106R/94**
- Mortise Guides **102N**
- Polypropylene Guide Rail **EPD3BL**



NOTE: Alternate route dimension when using optional EPD3BL