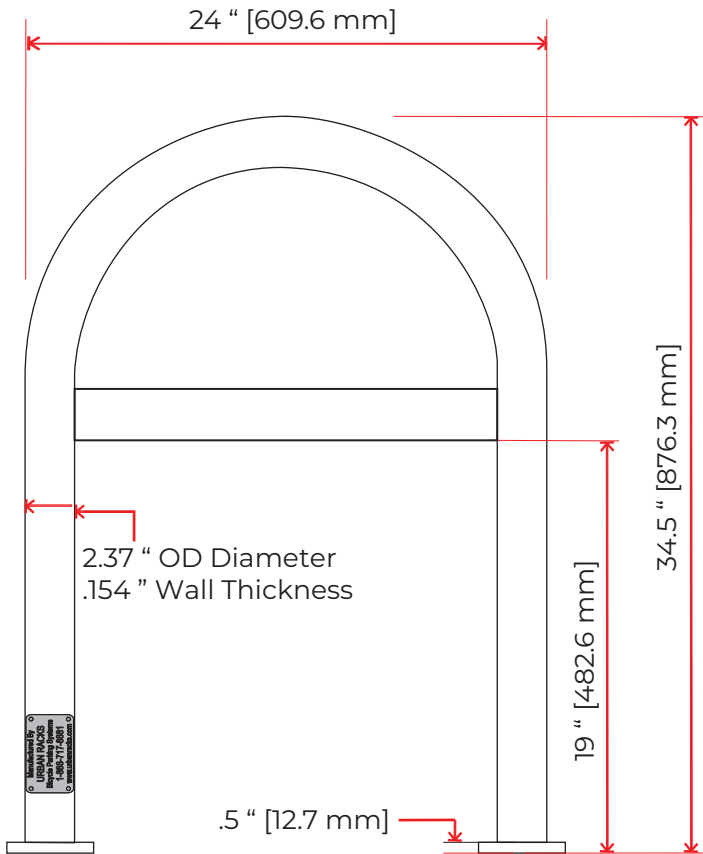


Urban Staple



Spacing

Recommended Spacing	36 " [762 mm]
Minimum Spacing	24 " [610 mm]

Weight

Total Weight	32 lbs [14.5kg]
--------------	-----------------

Materials

Assembly Material	Schedule 40 Steel
Pipe Diameter	2.37 " [60.2 mm]
Pipe Wall Thickness	0.154 " [3.91 mm]
Post-consumer recycled content	70-90%
Pre-consumer recycled content	5-7%

Anti-theft Feature

Optional Tamper-proof Security Anchors

Available Finishes

- Powder Coated
- Hot-Dipped Galvanized
- 304 Stainless Steel
- Dacromet

Customization Available

