

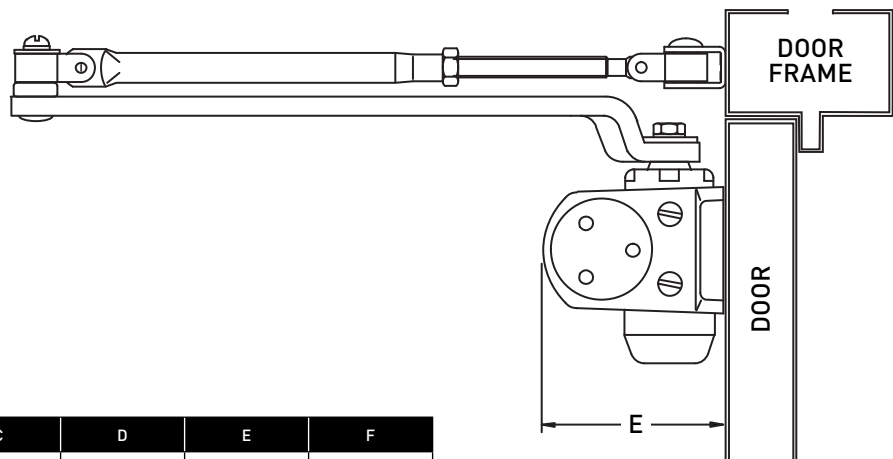
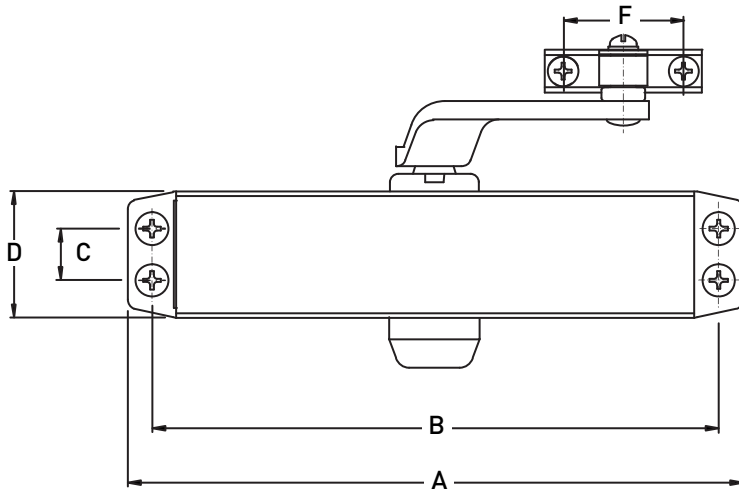
# DOOR CLOSERS

**550 SERIES**

GRADE 2

BUILDER PACK

**Taymor**



	A	B	C	D	E	F
13-552APAL	8-29/32" (226mm)	8-3/16" (208mm)	3/4" (19mm)	1-27/32" (47mm)	2-5/8" (67mm)	1-3/4" (44.5mm)
13-553APAL	8-29/32" (226mm)	8-3/16" (208mm)	3/4" (19mm)	1-27/32" (47mm)	2-5/8" (67mm)	1-3/4" (44.5mm)
13-554APAL	9-3/4" (248mm)	9-1/16" (230mm)	3/4" (19mm)	1-27/32" (47mm)	2-5/8" (67mm)	1-3/4" (44.5mm)

SIZE	MAXIMUM RECOMMENDED DOOR SIZE & WEIGHT	ALUMINUM	CASE PACK
2	36" x 84" - (90cm x 210cm) 55-100 lbs / (25-45 kg)	13-552APAL	10
3	38" x 84" - (95cm x 210cm) 88-144 lbs / (40-64 kg)	13-553APAL	10
4	42" x 96" - (105cm x 240cm) 132-187 lbs / (60-84 kg)	13-554APAL	10