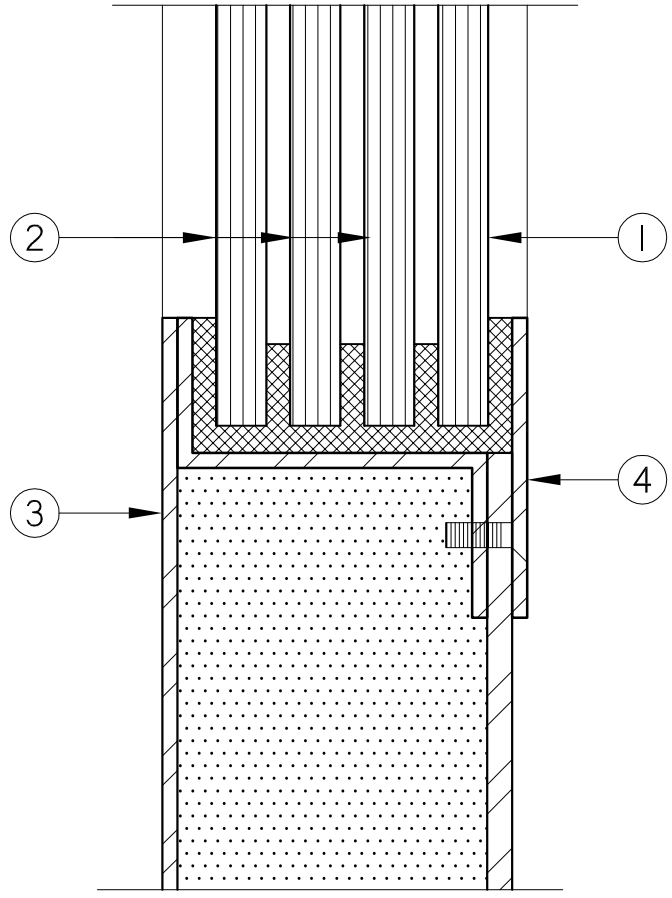


ELEVATIONS

ALL DIMENSIONS SHOWN REFER TO DOOR CUTOUT SIZES

LEGEND:

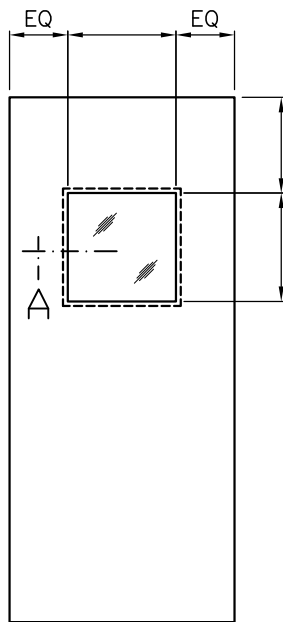
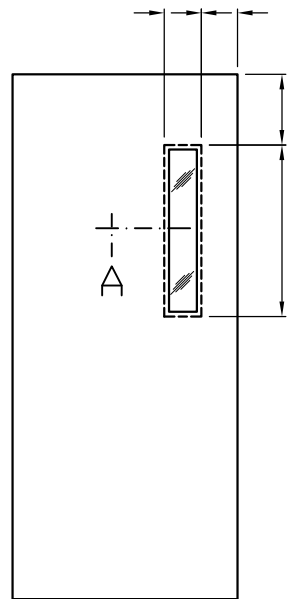
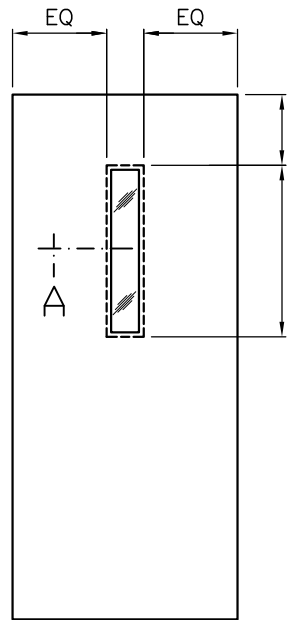
1. CLEAR ACOUSTIC OR GEORGIAN WIRE GLASS.
(PLEASE SPECIFY) WIRED GLASS WILL BE USED AUTOMATICALLY IF THE OPENING IS FIRE RATED.
2. 3 LAYERS OF CLEAR ACOUSTIC GLASS.
3. FIXED STOP ON THE SECURE SIDE (LOCK CYLINDER SIDE) OF THE DOOR.
4. REMOVABLE STOP.



SECTION 'A'

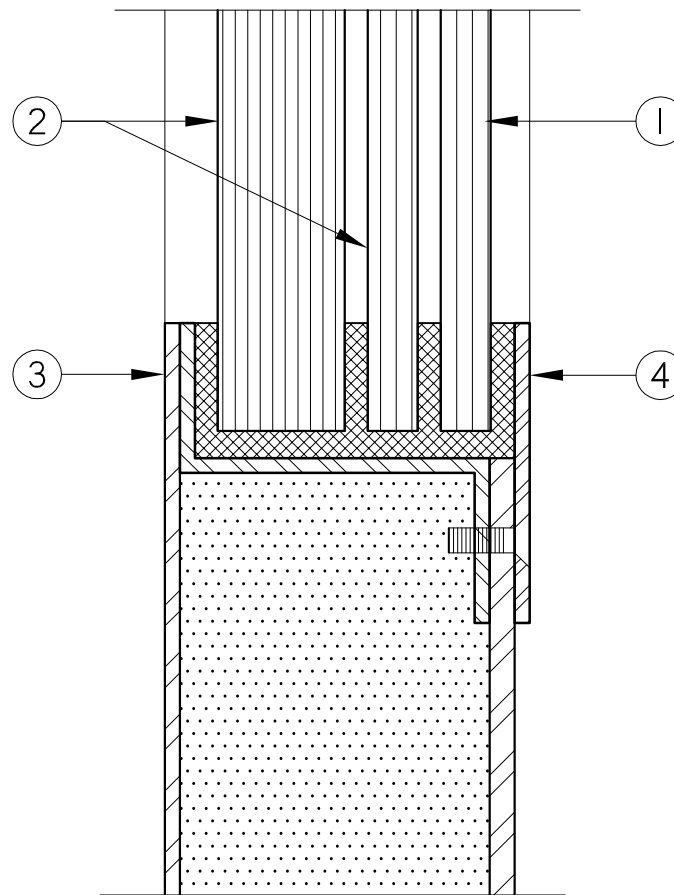
NOTE:

1. ALL GLASS TO BE FACTORY INSTALLED BY AMBICO. MAXIMUM GLASS SIZE NOT TO EXCEED 300 SQUARE INCHES. STOCK GLASS SIZES ARE 5"X20" OR 17"X17".



ELEVATIONS

ALL DIMENSIONS SHOWN REFER TO DOOR CUTOUT SIZES



SECTION 'A'

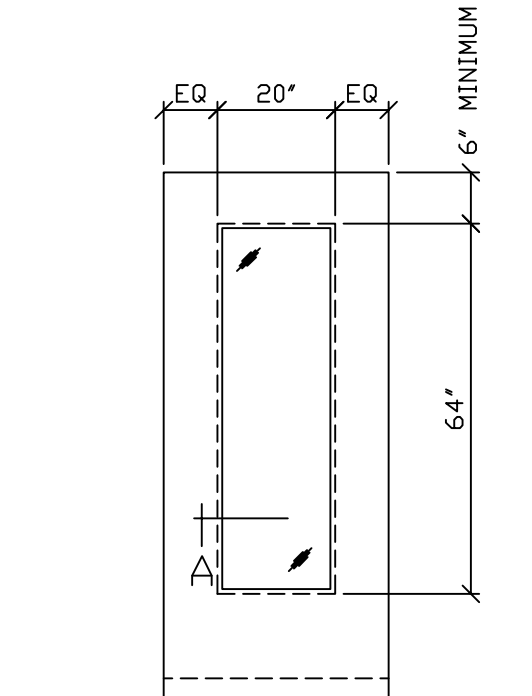
LEGEND:

1. CLEAR ACOUSTIC OR GEORGIAN WIRE GLASS.
(PLEASE SPECIFY) WIRED GLASS WILL BE USED AUTOMATICALLY IF THE OPENING IS FIRE RATED.
2. CLEAR ACOUSTIC GLASS.
3. FIXED STOP ON THE SECURE SIDE (LOCK CYLINDER SIDE) OF THE DOOR.
4. REMOVABLE STOP.

NOTE:

ALL GLASS TO BE FACTORY INSTALLED BY AMBICO. MAXIMUM GLASS SIZE NOT TO EXCEED 300 SQUARE INCHES. STOCK GLASS SIZES ARE 5"X20" OR 17"X17".

NOTE: VISION LITE AS SHOWN BELOW HAS BEEN CERTIFIED FOR ACOUSTIC PERFORMANCE AS PER AMBICO ENGINEERS. INDEPENDENT TEST DATA FOR GLAZED OPENINGS EXCEEDING 300 SQUARE INCHES IS PENDING.



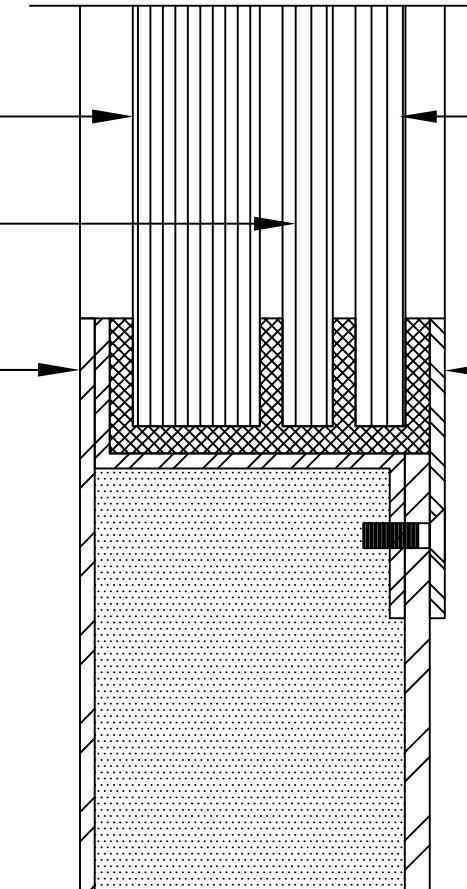
ELEVATION

ALL DIMENSIONS SHOWN REFER TO DOOR CUTOUT SIZES

3/4" ACOUSTIC GLASS

1/4" CLEAR GLASS

FIXED STOP ON THE SECURE SIDE (LOCK CYLINDER SIDE) OF THE DOOR



1/4" CLEAR OR 1/4" GEORGIAN WIRE GLASS (PLEASE SPECIFY). WIRED GLASS WILL BE USED AUTOMATICALLY IF THE OPENING IS FIRE RATED

REMOVABLE STOP

SECTION 'A'

NOTE: ALL GLASS TO BE FACTORY INSTALLED BY AMBICO
 ** FULL LITES AVAILABLE ABOVE STC 46, CONSULT FACTORY

TYPICAL FULL LITE FOR STC STEEL DOORS FROM STC 33 THROUGH STC 46 **

JOB NO: XXXXXXX

SHEET: 1

OF: 1