



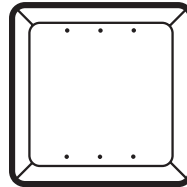
JOB NAME \_\_\_\_\_  
 LOCATION \_\_\_\_\_  
 \_\_\_\_\_  
 DOOR NUMBER \_\_\_\_\_

MANUAL  
ACTIVATORS

SQUARE PRESS SWITCH



C-8  
PRESS TO OPEN  
ALUMINUM WALL PLATE  
4" X 4"  
5" X 5" BACK PLATE  
(PTO)



PLAIN  
STAINLESS STEEL  
4 1/2" X 4 1/2"



C-8  
PRESS TO OPEN  
ALUMINUM WALL PLATE  
4" X 4"  
5" X 5" BACK PLATE  
(HC)



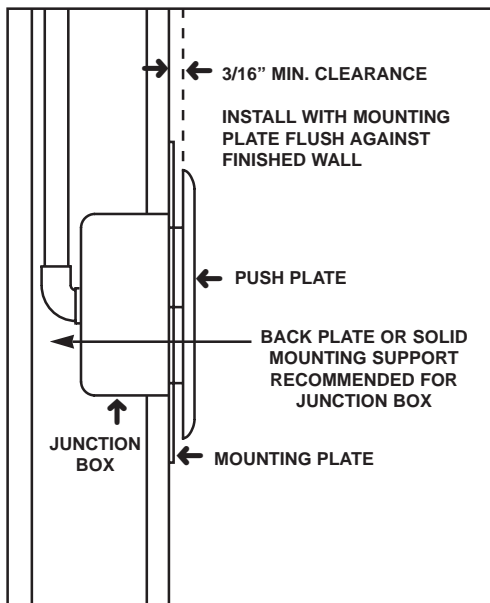
PRESS TO OPEN  
STAINLESS STEEL  
4 1/2" X 4 1/2"  
(PTO)



VINYL PUSH PAD  
4" X 4"  
(BACKING PLATE AVAILABLE  
IN CLEAR OR BRONZE)



PRESS TO OPEN PLUS LOGO  
STAINLESS STEEL  
4 1/2" X 4 1/2"  
(HC PTO)



LOGO  
STAINLESS STEEL  
4 1/2" X 4 1/2"  
(HC)

HARDWIRE

1. (2) #18 LOW VOLTAGE WIRES (OR PER LOCAL CODE)  
REQUIRED FROM OPERATOR TO EACH PUSH PLATE  
BY ELEC. CONTR.