

TECTUS®



 **SIMONSWERK**
TECTUS®



FOR A DEALER IN THE U.S.
CALL 1-800-362-1484

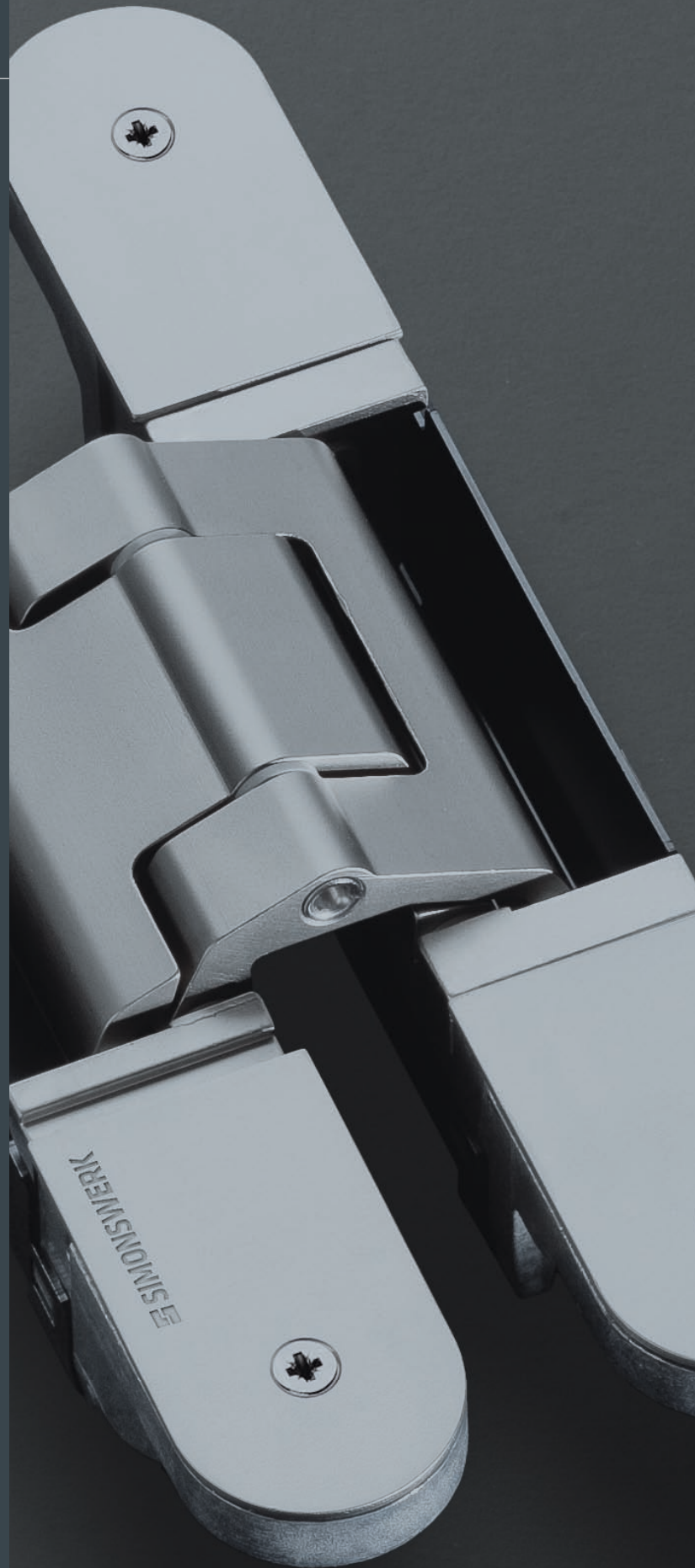
TECTUS®
Concealed Hinges

INDEX

TE 240 3D	up to 40 kg (88 lbs)	6
TE 340 3D	up to 80 kg (176 lbs)	7
TE 525 3D	up to 120 kg (264 lbs)	8
TE 526 3D	up to 120 kg (264 lbs)	9
TE 527 3D	up to 120 kg (264 lbs)	10
TE 540 3D	up to 120 kg (264 lbs)	11
TE 541 3D FVZ	up to 100 kg (220 lbs)	12
TE 640 3D	up to 200 kg (440 lbs)	13
TE 645 3D	up to 300 kg (661 lbs)	14
TE 540 3D A8	up to 100 kg (220 lbs)	15
TE 640 3D A8	up to 160 kg (352 lbs)	16
TE Energy Series	up to 200 kg (440 lbs)	17
Fixing Plate FZ/1	Casing Frame/Thin Jamb	18
Receiver SZ	Steel Frame/Steel Door	21
Installation		24
Adjustment		27
Load Capacities		28
Finishes		31



FOR A DEALER IN THE U.S.
CALL 1-800-362-1484



TECTUS® – the completely concealed hinge system

In 2003, SIMONSWERK introduced an innovative concealed hinge, TECTUS, which allows the adjustment of a door in three dimensions.

Now in its fourth generation, the TECTUS series of concealed hinges offers an array of hinges of unsurpassed quality, versatility, and depth. This series features an entire range for your architectural opening needs. The TECTUS hinge offers a “clean“ look, which has not been matched by any other manufacturer.

The adjustment feature provides a simple way to create a perfect margin between the door and the frame. This enables the door to be adjusted in three dimensions (horizontal, vertical and in/out) by simply turning an Allen wrench. The refined visual appearance in combination with its maintenance-free slide bearings distinguishes TECTUS from all other concealed hinges.

The A8 versions allow a door to visually disappear into a wall with many different kinds of claddings such as mirrors, laminates, and marble.

Modern and efficient buildings of today often require the ability to control and operate doors remotely. This requires the transfer of electrical power and data/information from door frames to door panels. The TECTUS Energy Series provides a sophisticated way to fulfill the requirement of this technology when card readers, access and door control systems, electrified locks, monitoring systems, and multimedia components are used. The cable with its 16 wires is completely concealed behind the hinge arms in order to avoid unauthorized tampering. The TECTUS Energy hinge is available in a large variety to accommodate different sash weights.

New versions with optimized load capacities

TE 240 3D	40 kg	(88 lbs)
TE 340 3D	80 kg	(176 lbs)
TE 527 3D	120 kg	(264 lbs)
TE 540 3D	120 kg	(264 lbs)
TE 640 3D	200 kg	(440 lbs)
TE 645 3D	300 kg	(661 lbs)

Versions for various door claddings

TE 540 3D A8	100 kg	(220 lbs)
TE 640 3D A8	160 kg	(352 lbs)

Versions made of solid stainless steel

TE 525 3D	120 kg	(264 lbs)
TE 526 3D	120 kg	(264 lbs)

Versions for permanent energy transfer

TE 240 3D Energy	40 kg	(88 lbs)
TE 340 3D Energy	80 kg	(176 lbs)
TE 526 3D Energy	120 kg	(264 lbs)
TE 527 3D Energy	120 kg	(264 lbs)
TE 540 3D Energy	120 kg	(264 lbs)
TE 640 3D Energy	200 kg	(440 lbs)
TE 540 3D A8 Energy	100 kg	(220 lbs)
TE 640 3D A8 Energy	160 kg	(352 lbs)

Version for recessed frame facings

TE 541 3D FVZ	100 kg	(220 lbs)
---------------	--------	-----------

TECTUS®

Clean design, high load capacity, secure assembly and multifaceted scope of application for high quality residential and commercial doors.





FEATURES AND BENEFITS

Four versions in different sizes for sash weights up to 300 kg (661 lbs)

Versions for doors with claddings of up to 8 mm (0.315")

Easy adjustment in all three directions with 4 mm (0.157") Allen wrench

Aesthetically pleasing hinge design

Same routing template for door and frame prep for TE 340 3D – TE 640 3D A8

Plated designer finishes as well as a variety of durable powder coated options

Custom finishes and colors available upon request

TECTUS Energy Series with integrated and permanent energy transfer

TECTUS®
INTERIOR DOOR

TE 240 3D

for flush residential doors

Hinge	up to 40 kg (88 lbs)
--------------	-----------------------------

Technical Data

Load capacity	40 kg (88 lbs)
Length (door/frame)	155/155 mm (6.102/6.102")
Width (door/frame)	18/21 mm (0.709/0.827")
Router bit diameter	16 mm (0.630")

Finish

satin chrome look (F1), satin nickel look (F2), stainless steel look (SSL), rustic umber, bronze metallic, traffic white (RAL 9016), matte deep black (RAL 9005), polished brass, polished nickel, satin nickel, satin chrome, other finishes available upon request

Combinations

Receiver	Commercial frame	Frame mounted
	Casing frame	TE 240 3D FZ/1
	Steel frame	TE 240 3D SZ
	Aluminum frame	according to specifications of the frame manufacturer

Installation Tools

	Universal milling frame
Frame	Template 5 250691 6
Door	Template 5 250692 6

Specification Text

SIMONSWERK TECTUS TE 240 3D hinge. Completely concealed for flush doors with wood, steel or aluminum frames. Load capacity 40 kg (88 lbs), opening angle up to 180°, overall length 155 mm (6.102"), non-handed, maintenance-free slide bearings, three-dimensionally adjustable: side +/- 3.0 mm (0.118"), height +/- 3.0 mm (0.118"), compression +/- 1.5 mm (0.059"). Finish ...

Note

The load capacity mentioned above refers to the use of 2 hinges per door leaf (1 x 2 m (39.370 x 78.740")).

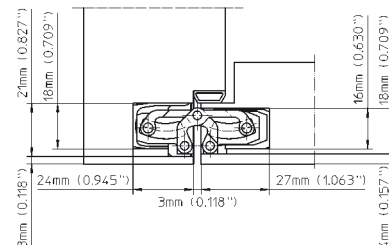
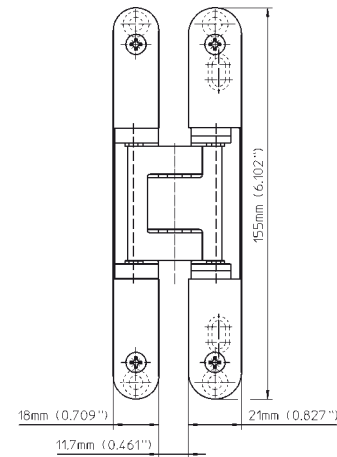
Finger protection due to a small gap between door and frame.

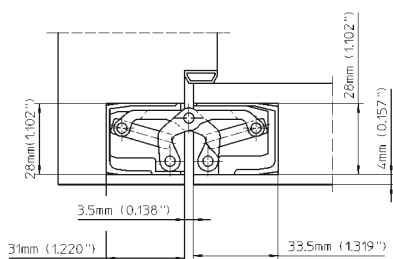
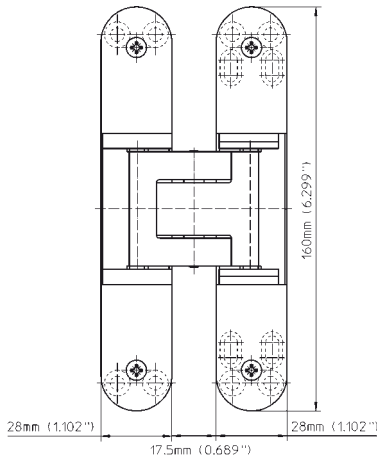
Typical use with door thickness of 35 mm (1 3/8"), but can also be used with higher thicknesses.

Receivers for steel doors upon request.

Templates for collar ring and router bits in inch on request.

For additional technical information regarding TECTUS TE 240 3D Energy see page 17.





TE 340 3D

for flush residential and commercial doors

Hinge	up to 80 kg (176 lbs)
--------------	------------------------------

Technical Data

Load capacity	80 kg (176 lbs)
Length (door/frame)	160/160 mm (6.299/6.299")
Width (door/frame)	28/28 mm (1.102/1.102")
Router bit diameter	24 mm (0.945")

Finish

satin chrome look (F1), satin nickel look (F2), stainless steel look (SSL), rustic umber, bronze metallic, traffic white (RAL 9016), matte deep black (RAL 9005), polished brass, polished nickel, satin nickel, satin chrome, other finishes available upon request

Combinations

Receiver	Commercial frame	Frame mounted
	Casing frame	TE 340 3D FZ/1
	Steel frame	TE 340 3D SZ
	Aluminum frame	according to specifications of the frame manufacturer

Installation Tools

	Universal milling frame
Step 1	Template 5 250693 5
Step 2	Template 5 250694 5

Specification Text

SIMONSWERK TECTUS TE 340 3D hinge. Completely concealed for flush doors with wood, steel or aluminum frames. Compliant to ANSI/BHMA A156.1-2006 Grade 2, UL listed for 20 minute rated fire doors, with user-friendly 3-way adjustments, load capacity 80 kg (176 lbs), opening angle up to 180°, overall length 160 mm (6.299"), non-handed, maintenance-free slide bearings, three-dimensionally adjustable: side +/- 3.0 mm (0.118"), height +/- 3.0 mm (0.118"), compression +/- 1.0 mm (0.039"). Finish ...

Note

The load capacity mentioned above refers to the use of 2 hinges per door leaf (1 x 2 m (39.370 x 78.740")).
 Finger protection due to a small gap between door and frame.
 Typical use with door thickness of 44 mm (1 3/4"), but can also be used with higher thicknesses.
 Receivers for steel doors upon request.
 Templates for collar ring and router bits in inch on request.
 For additional technical information regarding TECTUS TE 340 3D Energy see page 17.
 For fire rated doors: Check with door manufacturer regarding the usage of additional required intumescent material.



TECTUS®

INTERIOR DOOR, EXTERIOR DOOR

TE 525 3D

manufactured of cast stainless steel (304 series) for flush commercial doors

Hinge	up to 120 kg (264 lbs)
--------------	-------------------------------

Technical Data

Load capacity	120 kg (264 lbs)
Length (door/frame)	155/155 mm (6.102/6.102")
Width (door/frame)	26/26 mm (1.024/1.024")
Router bit diameter	24 mm (0.945")

Finish

satin stainless steel

Combinations

Receiver	Commercial frame	Frame mounted
	Casing frame	TE 525 3D FZ/1
	Steel frame	TE 525 3D SZ
	Aluminum frame	according to specifications of the frame manufacturer

Installation Tools

	Universal milling frame
	Drilling jig TE 525 3D
Frame/Door	Template 5 250547 6

Specification Text

SIMONSWERK TECTUS TE 525 3D hinge manufactured of cast stainless steel (304 series). Completely concealed for flush doors with wood, steel or aluminum frames. UL listed for 45 minute rated fire doors, with user-friendly 3-way adjustments, load capacity 120 kg (264 lbs), opening angle up to 180°, overall length 155 mm (6.102"), non-handed, maintenance-free slide bearings, three-dimensionally adjustable: side +/- 3.0 mm (0.118") and height +/- 3.0 mm (0.118"), compression +/- 1.0 mm (0.039"). Finish...

Application Range

Fire Resistance, Smoke Resistance, Soundproof, Forced Entry Resistance, High Corrosion Resistance

Note

The load capacity mentioned above refers to the use of 2 hinges per door leaf (1 x 2 m (39.370 x 78.740")).

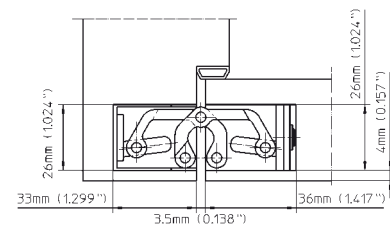
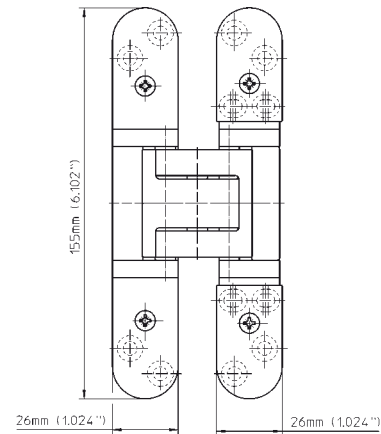
Finger protection due to a small gap between door and frame.

Typical use with door thickness of 44 mm (1 3/4"), but can also be used with higher thicknesses.

Receivers for steel doors upon request.

Templates for collar ring and router bits in inch on request.

For fire rated doors: Check with door manufacturer regarding the usage of additional required intumescent material.





TE 526 3D

manufactured of solid stainless steel (304 series) for flush commercial doors

Hinge	up to 120 kg (264 lbs)
--------------	-------------------------------

Technical Data

Load capacity	120 kg (264 lbs)
Length (door/frame)	155/155 mm (6.102/6.102")
Width (door/frame)	26/26 mm (1.024/1.024")
Router bit diameter	24 mm (0.945")

Finish

satin stainless steel

Combinations

Receiver	Commercial frame	Frame mounted
	Casing frame	TE 525 3D FZ/1
	Steel frame	TE 525 3D SZ
	Aluminum frame	according to specifications of the frame manufacturer

Installation Tools

	Universal milling frame
	Drilling jig TE 525 3D
Frame/Door	Template 5 250547 6

Specification Text

SIMONSWERK TECTUS TE 526 3D hinge manufactured of solid stainless steel (304 series). Completely concealed for flush doors with wood, steel or aluminum frames. With user-friendly 3-way adjustments, load capacity 120 kg (264 lbs), opening angle up to 180°, overall length 155 mm (6.102"), non-handed, maintenance-free slide bearings, three-dimensionally adjustable: side +/- 3.0 mm (0.118") and height +/- 3.0 mm (0.118"), compression +/- 1.0 mm (0.039"). Finish...

Application Range

Fire Resistance, Smoke Resistance, Soundproof, Forced Entry Resistance, High Corrosion Resistance

Note

The load capacity mentioned above refers to the use of 2 hinges per door leaf (1 x 2 m (39.370 x 78.740")).

Finger protection due to a small gap between door and frame.

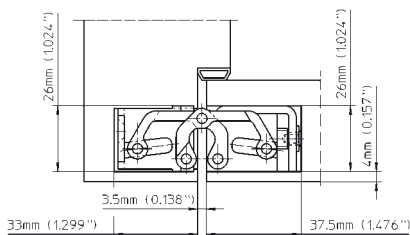
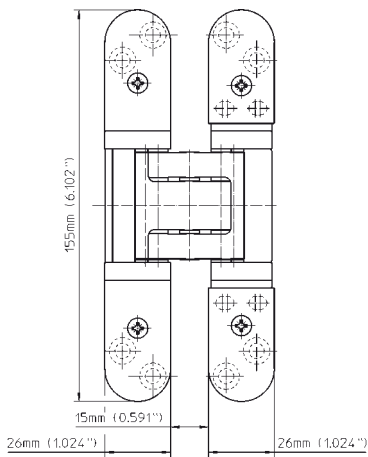
Typical use with door thickness of 44 mm (1 3/4"), but can also be used with higher thicknesses.

Receivers for steel doors upon request.

Templates for collar ring and router bits in inch on request.

For additional technical information regarding TECTUS TE 526 3D Energy see page 17.

For fire rated doors: Check with door manufacturer regarding the usage of additional required intumescent material.



TECTUS®

INTERIOR DOOR, EXTERIOR DOOR

TE 527 3D

manufactured of mild steel for flush commercial doors

Hinge	up to 120 kg (264 lbs)
--------------	-------------------------------

Technical Data

Load capacity	120 kg (264 lbs)
Length (door/frame)	155/155 mm (6.102/6.102")
Width (door/frame)	26/26 mm (1.024/1.024")
Router bit diameter	24 mm (0.945")

Finish

stainless steel look (SSL), other finishes available upon request

Combinations

Receiver	Commercial frame	Frame mounted
	Casing frame	TE 525 3D FZ/1
	Steel frame	TE 525 3D SZ
	Aluminum frame	according to specifications of the frame manufacturer

Installation Tools

	Universal milling frame
	Drilling jig TE 525 3D
Frame/Door	Template 5 250547 6

Specification Text

SIMONSWERK TECTUS TE 527 3D hinge manufactured of mild steel. Completely concealed for flush doors with wood, steel or aluminum frames. With user-friendly 3-way adjustments, load capacity up to 120 kg (264 lbs), opening angle up to 180°, overall length 155 mm (6.102"), non-handed, maintenance-free slide bearings, three-dimensionally adjustable: side +/- 3.0 mm (0.118") and height +/- 3.0 mm (0.118"), compression +/- 1.0 mm (0.039"). Finish...

Application Range

Fire Resistance, Smoke Resistance, Soundproof, Forced Entry Resistance

Note

The load capacity mentioned above refers to the use of 2 hinges per door leaf (1 x 2 m (39.370 x 78.740")).

Finger protection due to a small gap between door and frame.

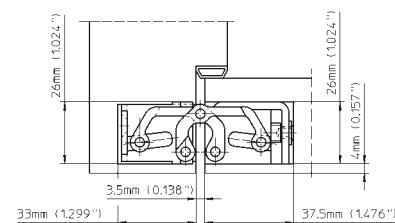
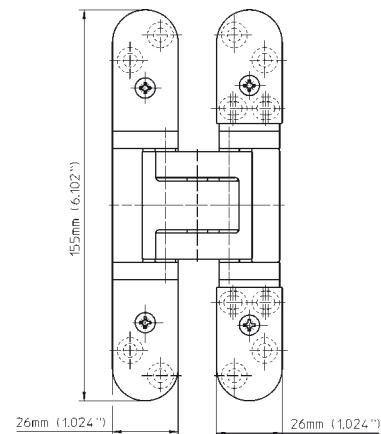
Typical use with door thickness of 44 mm (1 3/4"), but can also be used with higher thicknesses.

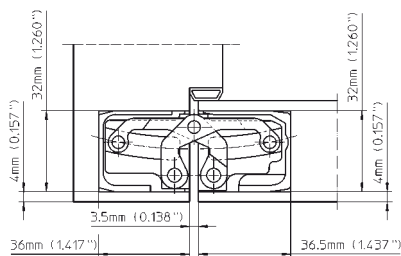
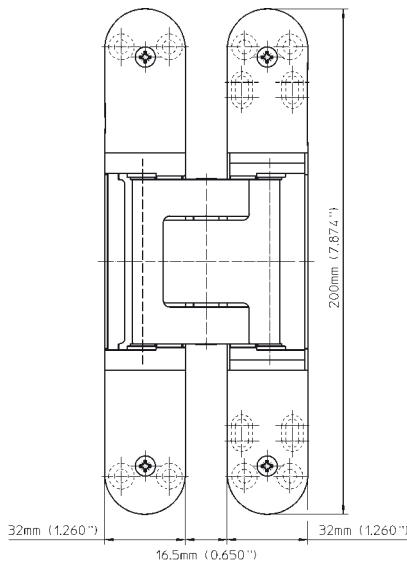
Receivers for steel doors upon request.

Templates for collar ring and router bits in inch on request.

For additional technical information regarding TECTUS TE 527 3D Energy see page 17.

For fire rated doors: Check with door manufacturer regarding the usage of additional required intumescent material.





TE 540 3D

for flush commercial doors

Hinge	up to 120 kg (264 lbs)
--------------	-------------------------------

Technical Data

Load capacity	120 kg (264 lbs)
Length (door/frame)	200/200 mm (7.874/7.874")
Width (door/frame)	32/32 mm (1.260/1.260")
Router bit diameter	24 mm (0.945")

Finish

satin chrome look (F1), satin nickel look (F2), stainless steel look (SSL), rustic umber, bronze metallic, traffic white (RAL 9016), matte deep black (RAL 9005), polished brass, polished nickel, satin nickel, satin chrome, other finishes available upon request

Combinations

Receiver	Commercial frame	Frame mounted
	Casing frame	TE 540 3D FZ/1
	Steel frame	TE 540 3D SZ
	Aluminum frame	according to specifications of the frame manufacturer

Installation Tools

	Universal milling frame
Step 1	Template 5 250680 5
Step 2	Template 5 250681 5

Specification Text

SIMONSWERK TECTUS TE 540 3D hinge. Completely concealed for flush doors with wood, steel and aluminum frames. UL listed for 20 minute rated fire doors, with user-friendly 3-way adjustments, load capacity 120 kg (264 lbs), opening angle up to 180°, overall length 200 mm (7.874"), non-handed, maintenance-free slide bearings, three-dimensionally adjustable: side +/- 3.0 mm (0.118"), height +/- 3.0 mm (0.118"), compression +/- 1.0 mm (0.039"). Finish ...

Application Range

Fire Resistance, Smoke Resistance, Soundproof, Forced Entry Resistance

Note

The load capacity mentioned above refers to the use of 2 hinges per door leaf (1 x 2 m (39.370 x 78.740")).

Finger protection due to a small gap between door and frame.

Typical use with door thickness of 44 mm (1 3/4"), but can also be used with higher thicknesses.

Receivers for steel doors upon request.

Templates for collar ring and router bits in inch on request.

For additional technical information regarding TECTUS TE 540 3D Energy see page 17.

For fire rated doors: Check with door manufacturer regarding the usage of additional required intumescent material.

TECTUS®

INTERIOR DOOR, EXTERIOR DOOR

TE 541 3D FVZ

for flush commercial doors with recessed frame facings

Hinge		up to 100 kg (220 lbs)
-------	--	------------------------

Technical Data

Load capacity	100 kg (220 lbs)
Length (door/frame)	185/185 mm (7.283/7.283")
Width (door/frame)	28/28 mm (1.102/1.102")
Router bit diameter	24 mm (0.945")

Finish

satin chrome look (F1), other finishes available upon request

Installation Tools

	Universal milling frame
Door, Step 1	Template 5 250942 5
Door, Step 2	Template 5 250943 5
Door, Step 3	Template 5 250682 5
Frame, Step 1	Template 5 250942 5
Frame, Step 2	Template 5 250943 5
Frame, Step 3	Template 5 250944 5

Specification Text

SIMONSWERK TECTUS TE 541 3D FVZ hinge for recessed frame facings. Completely concealed for flush doors with wood, steel or aluminum frames. With user-friendly 3-way adjustments, load capacity up to 100 kg (220 lbs), opening angle up to 180°, overall length 185 mm (7.283"), non-handed, maintenance-free slide bearings, three-dimensionally adjustable: side +/- 3.0 mm (0.118") and height +/- 3.0 mm (0.118"), compression +/- 1.0 mm (0.039"). Finish...

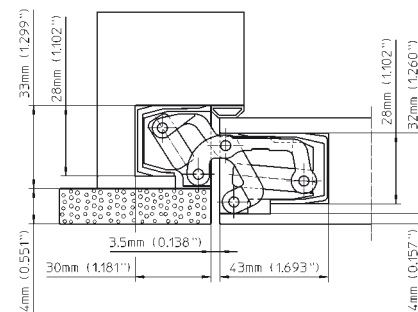
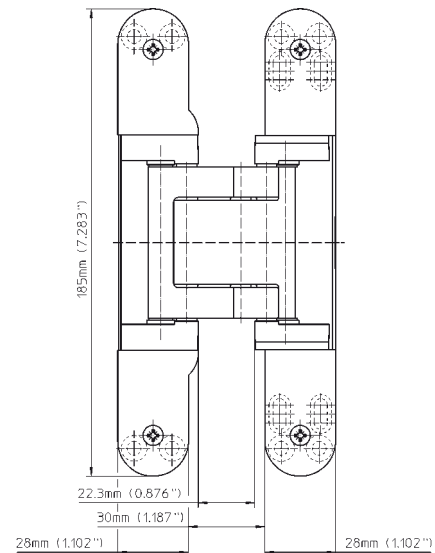
Note

The load capacity mentioned above refers to the use of 2 hinges per door leaf (1 x 2 m (39.370 x 78.740")).

Finger protection on the hinge side due to a small gap between door and frame.

Typical use with door thickness of 44 mm (1 3/4"), but can also be used with higher thicknesses.

Templates for collar ring and router bits in inch on request.





TE 640 3D

for flush high performance commercial doors

Hinge	up to 200 kg (440 lbs)
--------------	-------------------------------

Technical Data

Load capacity	200 kg (440 lbs)
Length (door/frame)	240/240 mm (9.449/9.449")
Width (door/frame)	32/32 mm (1.260/1.260")
Router bit diameter	24 mm (0.945")

Finish

satin chrome look (F1), satin nickel look (F2), stainless steel look (SSL), rustic umber, bronze metallic, traffic white (RAL 9016), matte deep black (RAL 9005), polished brass, polished nickel, satin nickel, satin chrome, other finishes available upon request

Combinations

Receiver	Commercial frame	Frame mounted
	Casing frame	TE 640 3D FZ/1
	Steel frame	TE 640 3D SZ
	Aluminum frame	according to specifications of the frame manufacturer

Installation Tools

	Universal milling frame
Step 1	Template 5 250659 5
Step 2	Template 5 250689 5

Specification Text

SIMONSWERK TECTUS TE 640 3D hinge. Completely concealed for flush doors with wood, steel or aluminum frames. UL listed for 20 minute rated fire doors, with user-friendly 3-way adjustments, load capacity 200 kg (440 lbs), opening angle up to 180°, overall length 40 mm (9.360"), non-handed, maintenance-free slide bearings, three-dimensionally adjustable: side +/- 3.0 mm (0.118"), height +/- 3.0 mm (0.118"), compression +/- 1.0 mm (0.039"). Finish ...

Application Range

Fire Resistance, Smoke Resistance, Soundproof, Forced Entry Resistance

Note

The load capacity mentioned above refers to the use of 2 hinges per door leaf (1 x 2 m (39.370 x 78.740")).

Finger protection due to a small gap between door and frame.

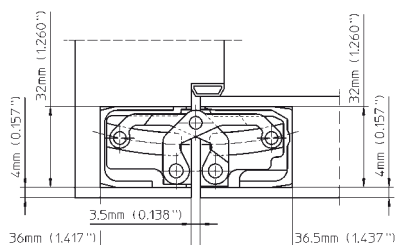
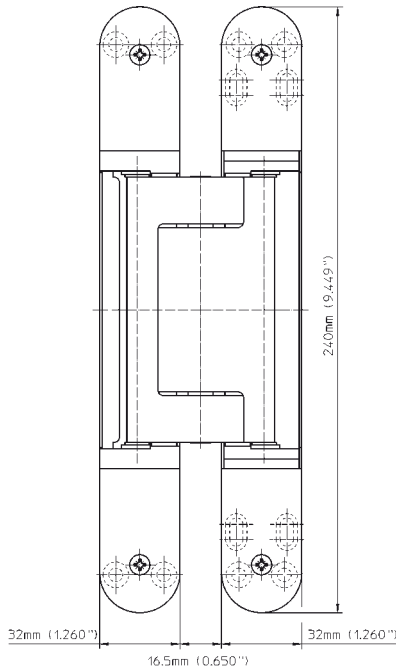
Typical use with door thickness of 44 mm (1 3/4"), but can also be used with higher thicknesses.

Receivers for steel doors upon request.

Templates for collar ring and router bits in inch on request.

For additional technical information regarding TECTUS TE 640 3D Energy see page 17.

For fire rated doors: Check with door manufacturer regarding the usage of additional required intumescent material.



TECTUS®

INTERIOR DOOR, EXTERIOR DOOR

TE 645 3D

for flush high performance commercial doors

Hinge		up to 300 kg (661 lbs)
-------	--	------------------------

Technical Data

Load capacity	300 kg (661 lbs)
Length (door/frame)	260/280 mm (10.236/11.024")
Width (door/frame)	34/36 mm (1.339/1.417")
Router bit diameter	24 mm (0.945")

Finish

satin chrome look (F1), stainless steel look (SSL), other finishes available upon request

Installation Tools

	Special routing frame on request
Frame, Step 1	Template 5 250945 5
Frame, Step 2	Template 5 250946 5
Door, Step 1	Template 5 250947 5
Door, Step 2	Template 5 250948 5

Specification Text

SIMONSWERK TECTUS TE 645 3D hinge. Completely concealed for flush doors with wood, steel or aluminum frames. With user-friendly 3-way adjustments, load capacity up to 300 kg (661 lbs), opening angle up to 180°, overall length 280 mm (11.024"), non-handed, maintenance-free slide bearings, three-dimensionally adjustable: side +/- 3.0 mm (0.118") and height +/- 3.0 mm (0.118"), compression +/- 1.0 mm (0.039"). Finish...

Application Range

Soundproof, Forced Entry Resistance

Note

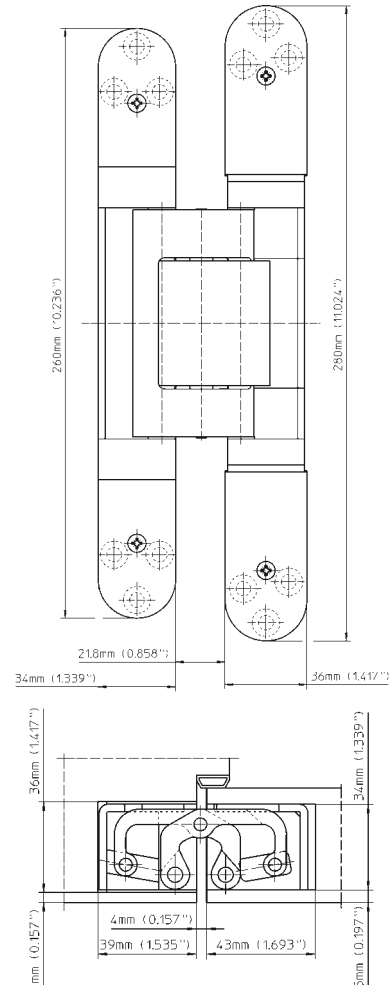
The load capacity mentioned above refers to the use of 2 hinges per door leaf (1 x 2 m (39.370 x 78.740")).

Finger protection due to a small gap between door and frame.

Use with a minimum door thickness of 44 mm (1 3/4"), but can also be used with higher thicknesses.

Receivers for steel doors upon request.

Templates for collar ring and router bits in inch on request.



INTERIOR DOOR, EXTERIOR DOOR

TECTUS®



TE 540 3D A8

for flush commercial doors with claddings up to 8 mm (0.315")

Hinge		up to 100 kg (220 lbs)
-------	--	------------------------

Technical Data

Load capacity	100 kg (220 lbs)
Length (door/frame)	200/200 mm (7.874/7.874")
Width (door/frame)	per 32/37 mm (1.260/1.457")
Router bit diameter	24 mm (0.945")

Finish

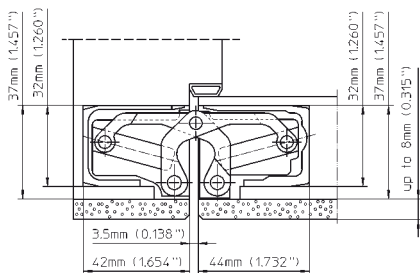
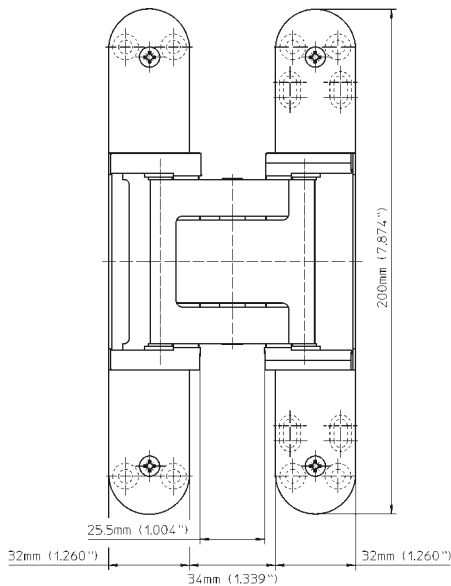
satin chrome look (F1), satin nickel look (F2), stainless steel look (SSL), rustic umber, bronze metallic, traffic white (RAL 9016), matte deep black (RAL 9005), polished brass, polished nickel, satin nickel, satin chrome, other finishes available upon request

Combinations

Receiver	Commercial frame	Frame mounted
	Casing frame	TE 540 3D FZ/1
	Steel frame	TE 540 3D A8 SZ
	Aluminum frame	according to specifications of the frame manufacturer
Accessories	Cover plate set	TE 540/640 3D A8 with radius

Installation Tools

	Universal milling frame
Step 1	Template 5 250680 5
Step 2	Template 5 250681 5
Step 3	Template 5 250682 5
without cladding	Step 3
	Template 5 250687 5



Specification Text

SIMONSWERK TECTUS TE 540 3D A8 hinge for doors with claddings of up to 8 mm (0.315"). Completely concealed for flush doors with wood, steel or aluminum frames. UL listed for 20 minute rated fire doors, with user-friendly 3-way adjustments, load capacity 100 kg (220 lbs), opening angle up to 180°, overall length 200 mm (7.874"), non-handed, maintenance-free slide bearings, three-dimensionally adjustable: side +/- 3.0 mm (0.118"), height +/- 3.0 mm (0.118"), compression +/- 1.0 mm (0.039"). Finish ...

Application Range

Fire Resistance, Smoke Resistance, Soundproof, Forced Entry Resistance

Note

The load capacity mentioned above refers to the use of 2 hinges per door leaf (1 x 2 m (39.370 x 78.740")).

Typical use with door thickness of 44 mm (1 3/4"), but can also be used with higher thicknesses.

Receivers for steel doors upon request.

Templates for collar ring and router bits in inch on request.

For additional technical information regarding TECTUS TE 540 3D A8 Energy see page 17.

For fire rated doors: Check with door manufacturer regarding the usage of additional required intumescent material.



TECTUS®

INTERIOR DOOR, EXTERIOR DOOR

TE 640 3D A8

for flush high performance commercial doors with claddings up to 8 mm (0.315")

Hinge	up to 160 kg (352 lbs)
--------------	-------------------------------

Technical Data

Load capacity	160 kg (352 lbs)
Length (door/frame)	240/240 mm (9.449/9.449")
Width (door/frame)	per 32/37 mm (1.260/1.457")
Router bit diameter	24 mm (0.945")

Finish

satin chrome look (F1), satin nickel look (F2), stainless steel look (SSL), rustic umber, bronze metallic, traffic white (RAL 9016), matte deep black (RAL 9005), polished brass, polished nickel, satin nickel, satin chrome, other finishes available upon request

Combinations

Receiver	Commercial frame	Frame mounted
	Casing frame	TE 640 3D FZ/1
	Steel frame	TE 640 3D A8 SZ
	Aluminum frame	according to specifications of the frame manufacturer
Accessories	Cover plate set	TE 540/640 3D A8 with radius

Installation Tools

	Universal milling frame	
Step 1	Template 5 250659 5	
Step 2	Template 5 250689 5	
Step 3	Template 5 250690 5	
without cladding	Step 3	Template 5 250688 5

Specification Text

SIMONSWERK TECTUS TE 640 3D A8 hinge for doors with claddings of up to 8 mm (0.315"). Completely concealed for flush doors with wood, steel or aluminum frames. UL listed for 20 minute rated fire doors, with user-friendly 3-way adjustments, load capacity 160 kg (352 lbs), opening angle up to 180°, overall length 240 mm (9.449"), non-handed, maintenance-free slide bearings, three-dimensionally adjustable: side +/- 3.0 mm (0.118"), height +/- 3.0 mm (0.118"), compression +/- 1.0 mm (0.039"). Finish ...

Application Range

Fire Resistance, Smoke Resistance, Soundproof, Forced Entry Resistance

Note

The load capacity mentioned above refers to the use of 2 hinges per door leaf (1 x 2 m (39.370 x 78.740")).

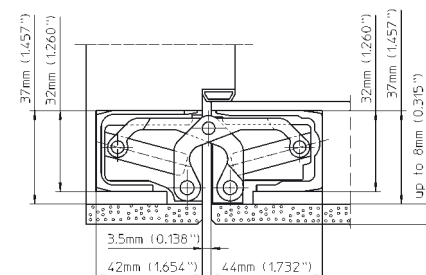
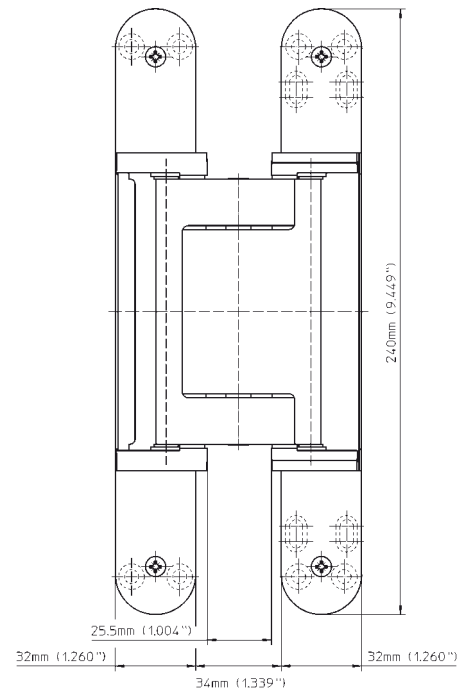
Typical use with door thickness of 44 mm (1 3/4"), but can also be used with higher thicknesses.

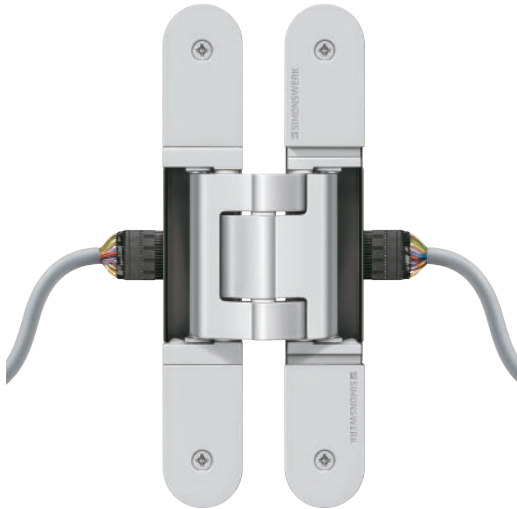
Receivers for steel doors upon request.

Templates for collar ring and router bits in inch on request.

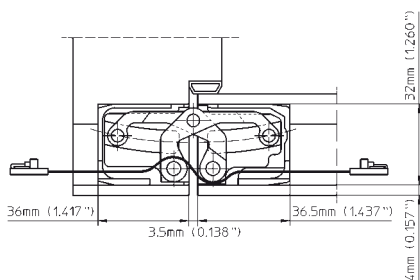
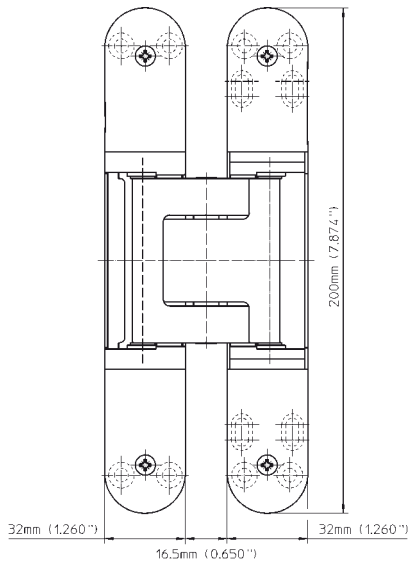
For additional technical information regarding TECTUS TE 640 3D A8 Energy see page 17.

For fire rated doors: Check with door manufacturer regarding the usage of additional required intumescent material.





By way of example.
Other model variants are shown below.



TE Energy Series

with permanent energy transfer for flush doors

Door Hinge	Energy transfer
------------	-----------------

Technical Data

No. of wires	16
Wire cross section	0.14 mm ²
max. voltage	60 V (for voltages of 24 V or higher only with safeguarded power supply)
max. current	0.8 A (per wire)

Finish

satın chrome look (F1), stainless steel look (SSL), other finishes available upon request

Combinations

Receiver	Commercial frame	Frame mounted
	Casing frame	TE ... 3D FZ/1
	Steel frame	TE ... 3D SZ
	Aluminum frame	according to specifications of the frame manufacturer

Model Variants / Installation Tools (in addition to templates for standard versions)

TE 240 3D Energy	Template 5 250 940 5
TE 340 3D Energy	Template 5 250 939 5
TE 526 3D Energy	Template 5 250 939 5
TE 527 3D Energy	Template 5 250 939 5
TE 540 3D Energy	Template 5 250 939 5
TE 640 3D Energy	Template 5 250 939 5
TE 540 3D A8 Energy	Template 5 250 939 5
TE 640 3D A8 Energy	Template 5 250 939 5

Detailed information in our PRODUCTSELECTOR at www.simonswerk-usa.com resp. www.simonswerk-ca.com

Specification Text

SIMONSWERK TECTUS TE ... 3D Energy hinge with integrated and permanent energy transfer. Completely concealed for flush doors with wood, steel or aluminum frames, opening angle up to 180°, non-handed, maintenance-free slide bearings, three-dimensionally adjustable Finish...

Note

Finger protection due to a small gap between door and frame.
Further technical information (e. g. load capacity, length, width, router bit diameter) are shown on the preceding product pages of the corresponding standard hinge model.
TECTUS Energy can be used with a wide variety of systems. Tested with 1,000,000 opening cycles using the correct application technology.

Scope of Supply

TECTUS TE ... 3D Energy includes a special ribbon cable with plug connection at both ends. Cable set consists of 2 round cables both with reverse-polarity-protected connecting socket for the special ribbon cable (1x round cable for frame, 3.0 m (118.110''), 1x round cable for door leaf, 3.0 m (118.110''), opposite cable ends open.

BRIDGEPORT
WORLDWIDE

FOR A DEALER IN THE U.S.
CALL 1-800-362-1484

TECTUS®

INTERIOR DOOR, EXTERIOR DOOR

Fixing Plate TECTUS Series

for flush quality and high performance doors with casing frames

Fixing	Casing frame
--------	--------------

Finish
galvanized

Combinations

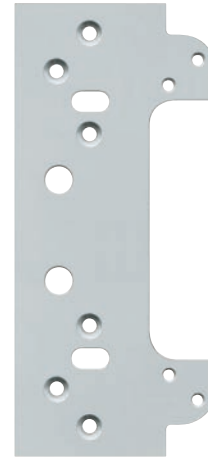
Hinge	TE 240 3D
	TE 340 3D
	TE 525 3D
	TE 526 3D
	TE 527 3D
	TE 540 3D
	TE 640 3D
	TE 540 3D A8
	TE 640 3D A8
energy transfer	TE 240 3D Energy
	TE 340 3D Energy
	TE 526 3D Energy
	TE 527 3D Energy
	TE 540 3D Energy
	TE 640 3D Energy
	TE 540 3D A8 Energy
	TE 640 3D A8 Energy

Specification Text

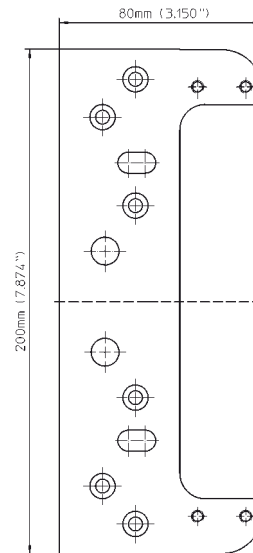
SIMONSWERK fixing plate TECTUS TE ... 3D FZ/1 for anchoring casing frames with hinge TECTUS TE ... 3D for flush doors. Finish...

Note

Spacers for casing strengths 22-28 mm (0.866-1.102") are included.
Please specify the exact hinge in your order.
TE 540 3D fixing plate shown. Drawings for other fixing plate sizes available upon request.



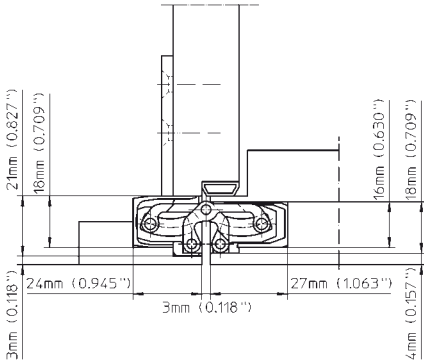
TE 540 3D FZ/1



Fixing Plate TECTUS for casing frames

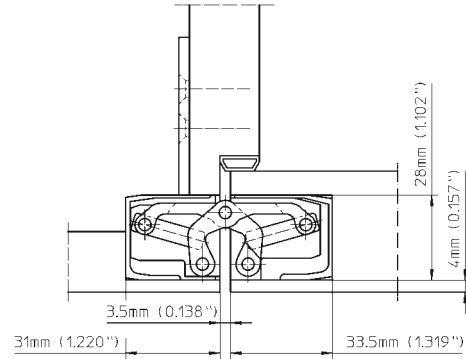
TE 240 3D

Fixing plate: TE 240 3D FZ/1



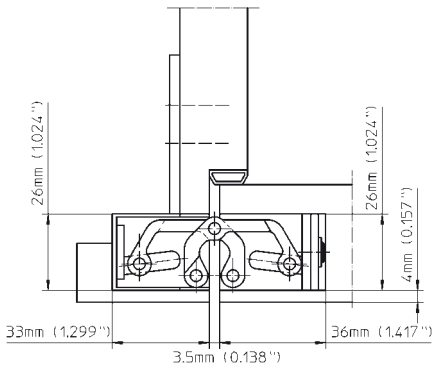
TE 340 3D

Fixing plate: TE 340 3D FZ/1



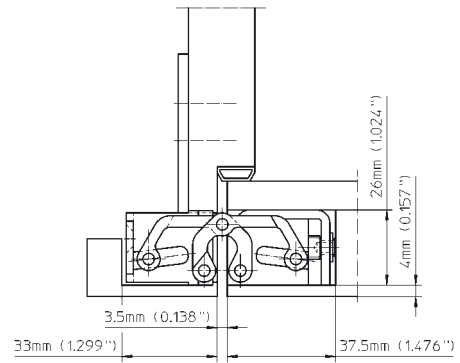
TE 525 3D

Fixing plate: TE 525 3D FZ/1



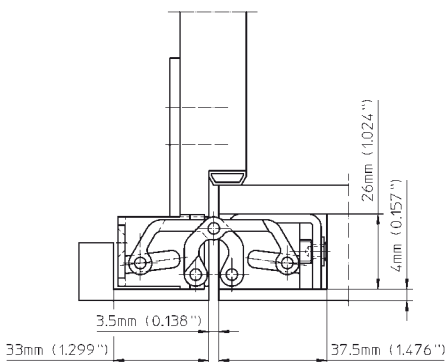
TE 526 3D

Fixing plate: TE 525 3D FZ/1



TE 527 3D

Fixing plate: TE 525 3D FZ/1



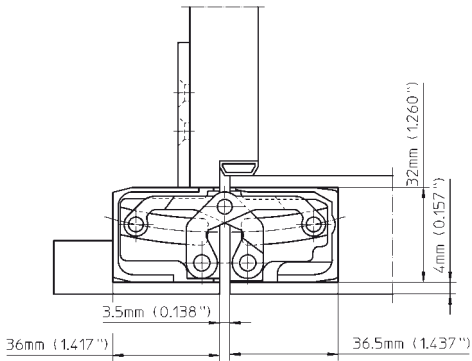
TECTUS®

INTERIOR DOOR, EXTERIOR DOOR

Fixing Plate TECTUS for casing frames

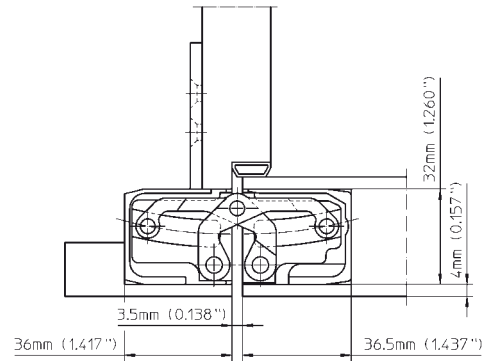
TE 540 3D

Fixing plate: TE 540 3D FZ/1



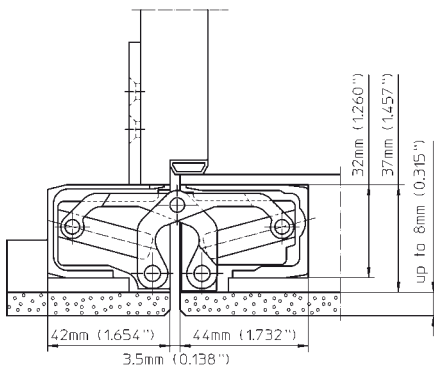
TE 640 3D

Fixing plate: TE 640 3D FZ/1



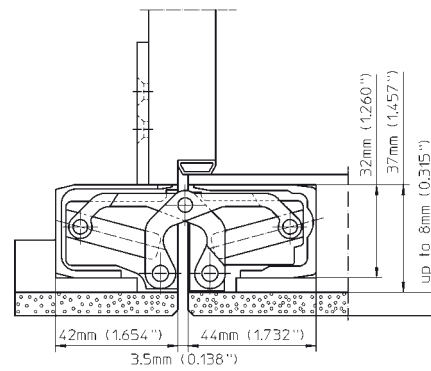
TE 540 3D A8

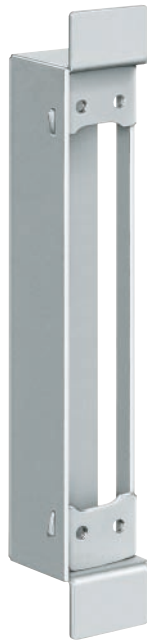
Fixing plate: TE 540 3D FZ/1



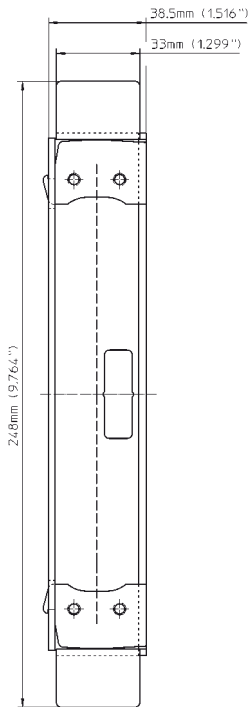
TE 640 3D A8

Fixing plate: TE 640 3D FZ/1





TE 540 3D SZ



Receiver TECTUS Series

for flush doors with steel and stainless steel frames

Fixing		Steel frame
--------	--	-------------

Finish
galvanized, stainless steel

Combinations

Hinge	TE 240 3D	
	TE 340 3D	
	TE 525 3D	
	TE 526 3D	
	TE 527 3D	
	TE 540 3D	
	TE 640 3D	
	TE 540 3D A8	
	TE 640 3D A8	
	energy transfer	TE 240 3D Energy
	TE 340 3D Energy	
	TE 526 3D Energy	
	TE 527 3D Energy	
	TE 540 3D Energy	
	TE 640 3D Energy	
	TE 540 3D A8 Energy	
	TE 640 3D A8 Energy	

Specification Text

SIMONSWERK receiver TECTUS TE ... 3D SZ for steel frames with hinge TECTUS TE ... 3D for unrebated doors. Finish...

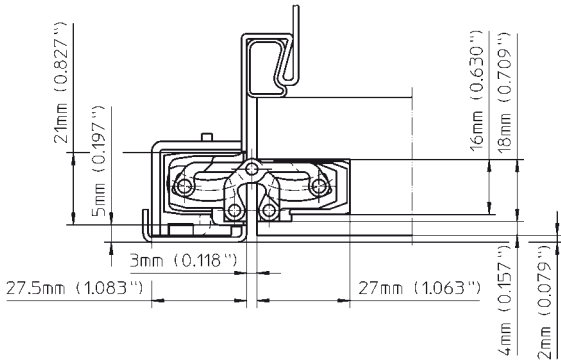
Note

Please specify the exact hinge and finish in your order.
TE 540 3D receiver shown. Drawings for other receiver sizes available upon request.
Receiver for steel doors available upon request.

Receiver TECTUS for steel frames

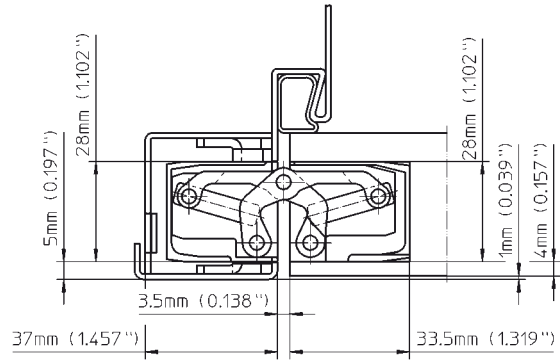
TE 240 3D

Receiver: TE 240 3D SZ



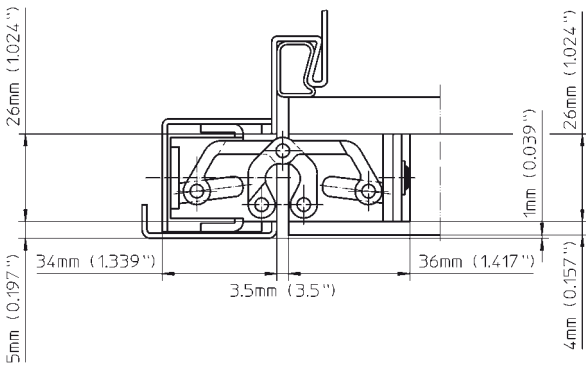
TE 340 3D

Receiver: TE 340 3D SZ



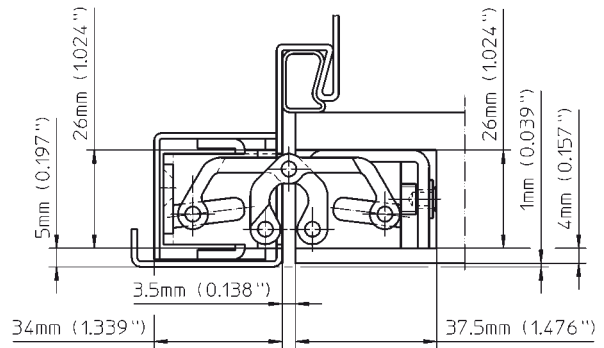
TE 525 3D

Receiver: TE 525 3D SZ



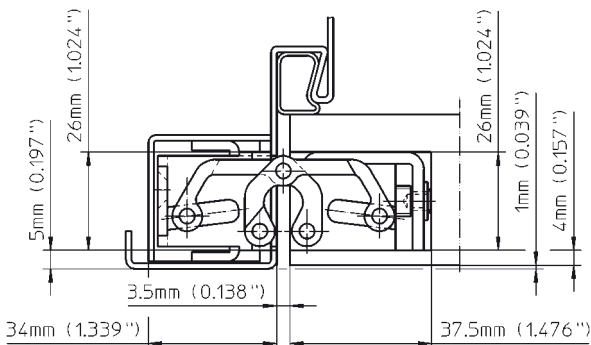
TE 526 3D

Receiver: TE 525 3D SZ



TE 527 3D

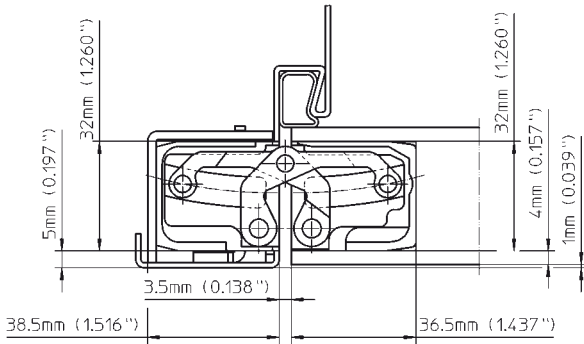
Receiver: TE 525 3D SZ



Receiver TECTUS for steel frames

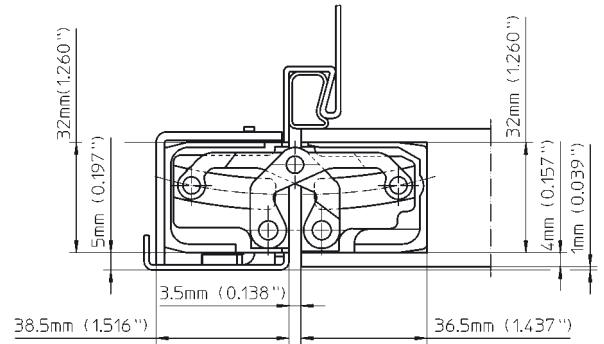
TE 540 3D

Receiver: TE 540 3D SZ



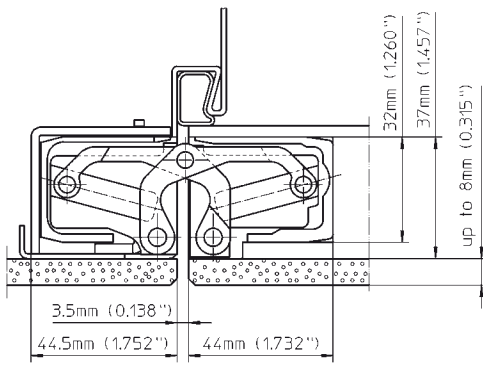
TE 640 3D

Receiver: TE 640 3D SZ



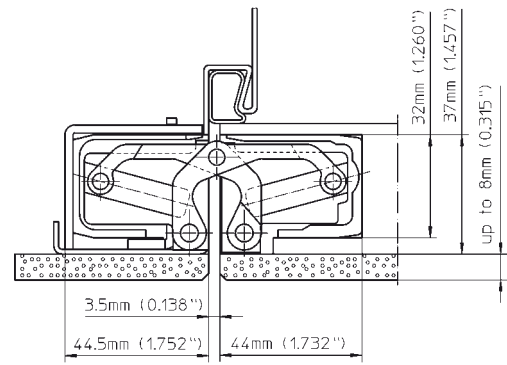
TE 540 3D A8

Receiver: TE 540 3D A8 SZ



TE 640 3D A8

Receiver: TE 640 3D A8 SZ



INSTALLATION

TECHNICAL INFORMATION

TECTUS Series

Door

Affix door part with enclosed wood screws.

Frame

Commercial frame

Conduct routing according to SIMONSWERK routing data. Use router bit with a diameter of 24 mm (0.936") Ø (TE 240 3D router bit 16 mm (0.630") Ø) and collar ring 30 mm (1.181") Ø. Affix frame part with enclosed wood screws.

Casing frame

To guarantee a stable mounting the use of an additional fixing plate is required. Affix the fixing plate with the appropriate screws (not included) behind the casing. Affix the hinge by using the enclosed M5 screws.

Steel frame

Affix frame part of the hinge with the prepared receiver inside the door frame by using the enclosed M5 screws.

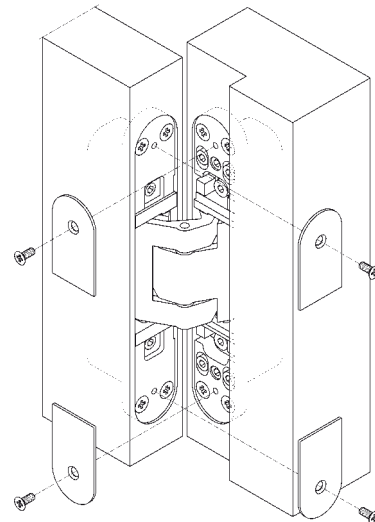
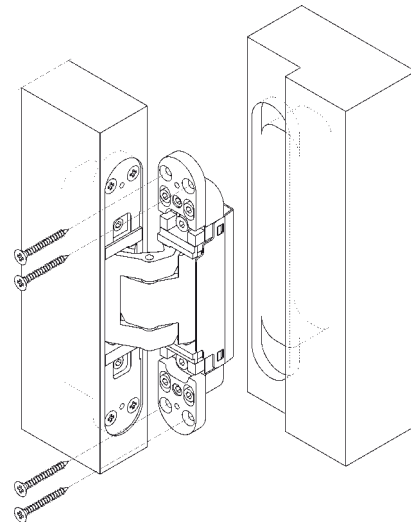
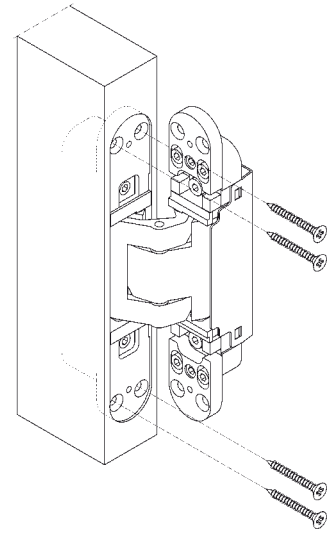
Fix cover plates with of the enclosed screws.

Application technology

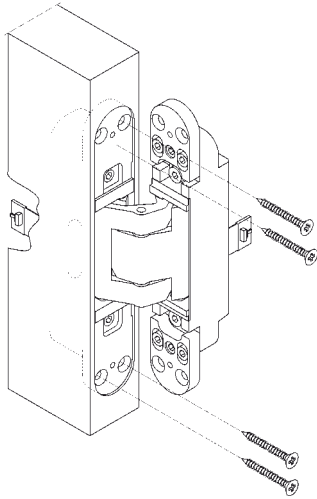
Use the Universal Milling Frame (jig) No. 118 as well fitting installation aid for SIMONSWERK templates.

Standard templates for 24 mm bit / 30 mm collar.

Templates for 3/4" bit / 1" collar on request.



1

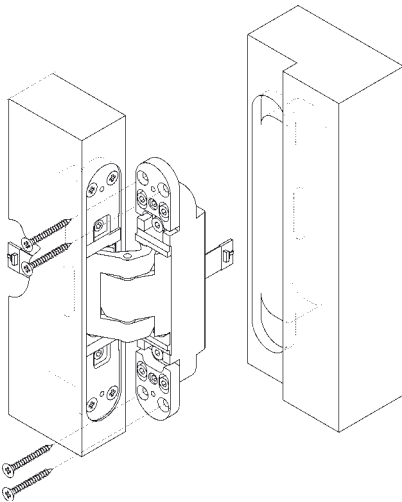


TECTUS Energy Series

Conduct additional routing for the cable on both sides.
Plug the connectors together and install the sash part.

1

2



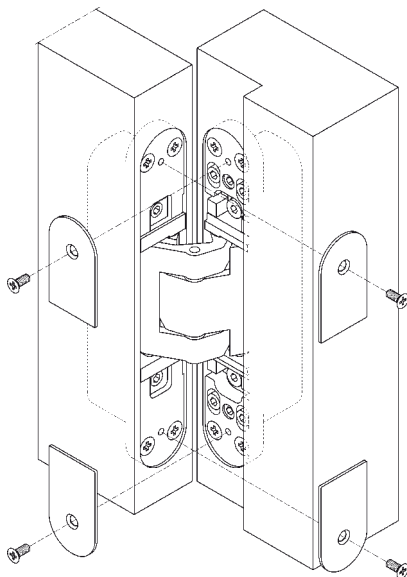
Plug the connectors of the hinge frame part and install the hinge in the jamb.

2

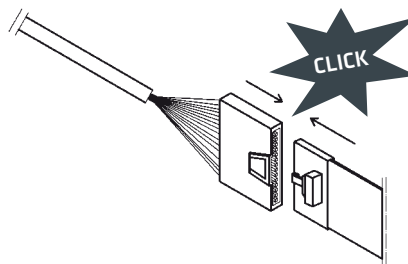
Make sure the plug connectors are engaged properly.

3

4



3



Screw the cover plates on by using the enclosed tapping screws onto frame and door part.

4

ADJUSTMENT

TECHNICAL INFORMATION

TECTUS Series

Three way adjustable

Side	+/- 3 mm (0.118")
Height	+/- 3 mm (0.118")
Depth	+/- 1 mm (0.039")

Side adjustment (horizontal)

- Adjust the adjusting spindles using a 4 mm (0.157") Allen key
- Turn side adjustment screw counterclockwise for increasing the air gap max. 3 mm (0.118") on the locking side
- Turn side adjustment screw clockwise for decreasing the air gap max. 3 mm (0.118") on the locking side

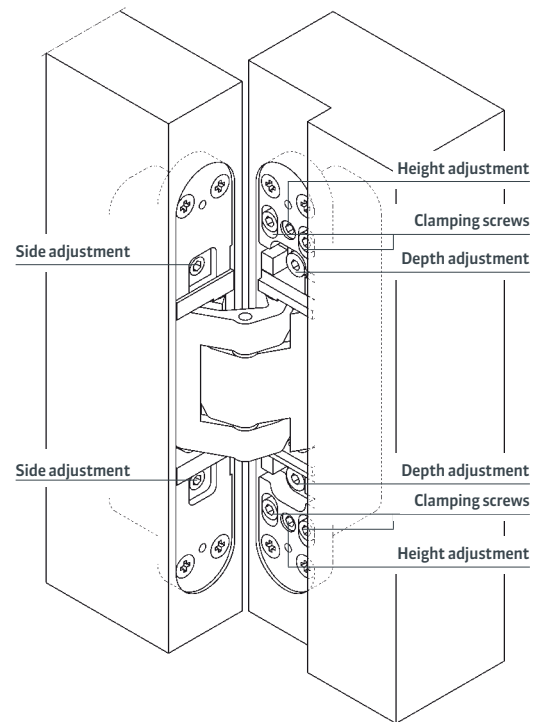
Height adjustment (vertical)

- Slightly loosen all four clamping screws on all hinges
- Adjust the vertical position of the door
- Turn the lower height adjustment screw clockwise for raising the door
- Turn the lower height adjustment screw counterclockwise for lowering the door
Note: Before raising the door make sure that the upper adjustment screw is loosened.
- Retighten the clamping screws on all hinges

Depth adjustment (in/out)

- Slightly loosen the fixing screws
- Align the door to the desired compression
- Retighten the clamping screws

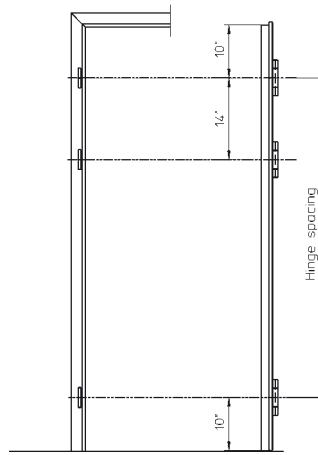
All adjustments can be performed with a 4 mm (0.157") Allen wrench.



TECTUS Series

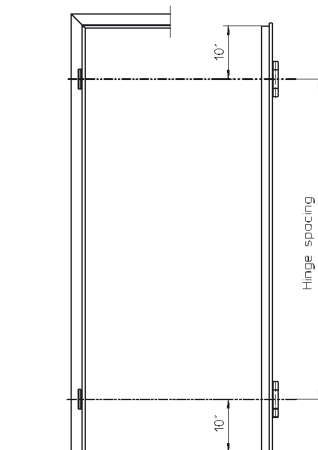
To increase the load capacity of the hinges, a third hinge needs to be positioned 14" below the upper hinge (center to center). The use of a third hinge in order to increase the load capacity has to be determined on a case by case basis. Our hinge data refers to a height/width ratio of the door of 2:1 or more. Please contact us for further information and see also the door manufacturers instructions. Proper preparation and alignment as well as tension-free adjustment are crucial for a hassle-free operation!

Application with increased load capacity

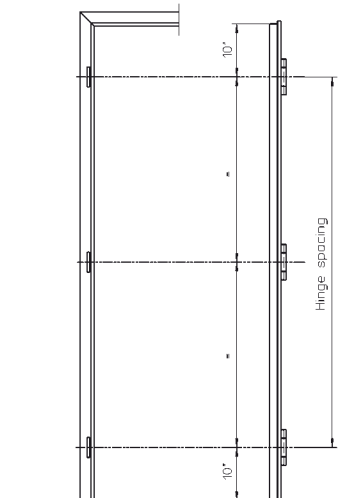


Examples for applications with different door heights

< 8 ft



≥ 8 ft



The hinge spacing does not increase the load capacity!
 Note: We recommend for all exterior doors the use of three hinges.

LOAD CAPACITIES

TECHNICAL INFORMATION

Overview of load values for hinges

The following table provides you with an overview of the maximum load value for the individual hinge type, taking the interaction of width and height of the door as well as the hinge spacing into account.

Assuming a reference value with door leaf dimensions of 1000 x 2000 mm (39.4" x 78.7") (W x H), the use of 2 hinges and a hinge spacing of 1435 mm (56.5"), the permissible load values change with different width and height ratios.

Indicated data refer to hinges only. For required number of hinges and hinge spacing refer to door manufacturers recommendation.

Green: load value = reference value, **Orange:** load value < reference value.

→ Hinge spacing in mm / inch	>2000 / 78.7	40 / 88	40 / 88	40 / 88	40 / 88	40 / 88	40 / 88	40 / 88	40 / 88	40 / 88	40 / 88	40 / 88	40 / 88
	2000 / 78.7	40 / 88	40 / 88	40 / 88	40 / 88	40 / 88	40 / 88	40 / 88	40 / 88	40 / 88	40 / 88	40 / 88	40 / 88
	1950 / 76.8	40 / 88	40 / 88	40 / 88	40 / 88	40 / 88	40 / 88	40 / 88	40 / 88	40 / 88	40 / 88	40 / 88	40 / 88
	1900 / 74.8	40 / 88	40 / 88	40 / 88	40 / 88	40 / 88	40 / 88	40 / 88	40 / 88	40 / 88	40 / 88	40 / 88	40 / 88
	1850 / 72.8	40 / 88	40 / 88	40 / 88	40 / 88	40 / 88	40 / 88	40 / 88	40 / 88	40 / 88	40 / 88	40 / 88	40 / 88
	1800 / 70.9	40 / 88	40 / 88	40 / 88	40 / 88	40 / 88	40 / 88	40 / 88	40 / 88	40 / 88	40 / 88	39 / 85	39 / 85
	1750 / 68.9	40 / 88	40 / 88	40 / 88	40 / 88	40 / 88	40 / 88	40 / 88	40 / 88	40 / 88	39 / 85	38 / 83	38 / 83
	1700 / 66.9	40 / 88	40 / 88	40 / 88	40 / 88	40 / 88	40 / 88	40 / 88	39 / 85	38 / 83	38 / 83	36 / 79	36 / 79
	1650 / 65.0	40 / 88	40 / 88	40 / 88	40 / 88	40 / 88	40 / 88	40 / 88	38 / 83	37 / 81	37 / 81	35 / 77	35 / 77
	1600 / 63.0	40 / 88	40 / 88	40 / 88	40 / 88	40 / 88	40 / 88	39 / 85	37 / 81	36 / 79	36 / 79	34 / 74	34 / 74
	1550 / 61.0	40 / 88	40 / 88	40 / 88	40 / 88	40 / 88	39 / 85	38 / 83	36 / 79	35 / 77	35 / 77	33 / 72	33 / 72
	1435 / 56.5	40 / 88	40 / 88	40 / 88	38 / 83	36 / 79	35 / 77	33 / 72	33 / 72	32 / 70	32 / 70	31 / 68	31 / 68
		900 / 35.4	950 / 37.4	1000 / 39.4	1050 / 41.3	1100 / 43.3	1150 / 45.3	1200 / 47.2	1250 / 49.2	1300 / 51.2			
	→ Door width in mm / inch												

REFERENCE VALUE 40 KG / 88 lbs

TE 240 3D
TE 240 3D Energy

→ Hinge spacing in mm / inch	>2000 / 78.7	80 / 176	80 / 176	80 / 176	80 / 176	80 / 176	80 / 176	80 / 176	80 / 176	80 / 176	80 / 176	80 / 176	80 / 176
	2000 / 78.7	80 / 176	80 / 176	80 / 176	80 / 176	80 / 176	80 / 176	80 / 176	80 / 176	80 / 176	80 / 176	80 / 176	80 / 176
	1950 / 76.8	80 / 176	80 / 176	80 / 176	80 / 176	80 / 176	80 / 176	80 / 176	80 / 176	80 / 176	80 / 176	80 / 176	80 / 176
	1900 / 74.8	80 / 176	80 / 176	80 / 176	80 / 176	80 / 176	80 / 176	80 / 176	80 / 176	80 / 176	80 / 176	80 / 176	80 / 176
	1850 / 72.8	80 / 176	80 / 176	80 / 176	80 / 176	80 / 176	80 / 176	80 / 176	80 / 176	80 / 176	80 / 176	79 / 174	79 / 174
	1800 / 70.9	80 / 176	80 / 176	80 / 176	80 / 176	80 / 176	80 / 176	80 / 176	80 / 176	80 / 176	80 / 176	77 / 169	77 / 169
	1750 / 68.9	80 / 176	80 / 176	80 / 176	80 / 176	80 / 176	80 / 176	80 / 176	80 / 176	80 / 176	78 / 171	75 / 165	75 / 165
	1700 / 66.9	80 / 176	80 / 176	80 / 176	80 / 176	80 / 176	80 / 176	80 / 176	79 / 174	76 / 167	76 / 167	73 / 160	73 / 160
	1650 / 65.0	80 / 176	80 / 176	80 / 176	80 / 176	80 / 176	80 / 176	80 / 176	77 / 169	74 / 163	74 / 163	71 / 155	71 / 155
	1600 / 63.0	80 / 176	80 / 176	80 / 176	80 / 176	80 / 176	80 / 176	80 / 176	78 / 171	74 / 163	74 / 163	69 / 152	69 / 152
	1550 / 61.0	80 / 176	80 / 176	80 / 176	80 / 176	80 / 176	79 / 174	75 / 165	72 / 158	69 / 152	69 / 152	66 / 145	66 / 145
	1435 / 56.5	80 / 176	80 / 176	80 / 176	76 / 167	73 / 160	70 / 154	67 / 147	67 / 147	64 / 141	64 / 141	62 / 136	62 / 136
		900 / 35.4	950 / 37.4	1000 / 39.4	1050 / 41.3	1100 / 43.3	1150 / 45.3	1200 / 47.2	1250 / 49.2	1300 / 51.2			
	→ Door width in mm / inch												

REFERENCE VALUE 80 KG / 176 lbs

TE 340 3D
TE 340 3D Energy

Overview of load values for hinges

REFERENCE VALUE 100 KG / 220 lbs

TE 541 3D FVZ
TE 540 3D A8
TE 540 3D A8 Energy

100 / 220	100 / 220	100 / 220	100 / 220	100 / 220	100 / 220	100 / 220	100 / 220	100 / 220	100 / 220	>2000 / 78.7
100 / 220	100 / 220	100 / 220	100 / 220	100 / 220	100 / 220	100 / 220	100 / 220	100 / 220	100 / 220	2000 / 78.7
100 / 220	100 / 220	100 / 220	100 / 220	100 / 220	100 / 220	100 / 220	100 / 220	100 / 220	100 / 220	1950 / 76.8
100 / 220	100 / 220	100 / 220	100 / 220	100 / 220	100 / 220	100 / 220	100 / 220	100 / 220	100 / 220	1900 / 74.8
100 / 220	100 / 220	100 / 220	100 / 220	100 / 220	100 / 220	100 / 220	100 / 220	100 / 220	99 / 218	1850 / 72.8
100 / 220	100 / 220	100 / 220	100 / 220	100 / 220	100 / 220	100 / 220	100 / 220	100 / 220	96 / 211	1800 / 70.9
100 / 220	100 / 220	100 / 220	100 / 220	100 / 220	100 / 220	100 / 220	100 / 220	98 / 216	94 / 207	1750 / 68.9
100 / 220	100 / 220	100 / 220	100 / 220	100 / 220	100 / 220	100 / 220	99 / 218	95 / 209	91 / 200	1700 / 66.9
100 / 220	100 / 220	100 / 220	100 / 220	100 / 220	100 / 220	100 / 220	96 / 211	92 / 202	88 / 194	1650 / 65.0
100 / 220	100 / 220	100 / 220	100 / 220	100 / 220	97 / 213	93 / 205	89 / 196	86 / 189		1600 / 63.0
100 / 220	100 / 220	100 / 220	100 / 220	98 / 216	94 / 207	90 / 198	86 / 189	83 / 182		1550 / 61.0
100 / 220	100 / 220	100 / 220	95 / 209	91 / 200	87 / 191	83 / 182	80 / 176	77 / 169		1435 / 56.5
900 / 35.4	950 / 37.4	1000 / 39.4	1050 / 41.3	1100 / 43.3	1150 / 45.3	1200 / 47.2	1250 / 49.2	1300 / 51.2		

→ Door width in mm / inch

→ Hinge spacing in mm / inch

REFERENCE VALUE 120 KG / 264 lbs

TE 525 3D
TE 526 3D
TE 527 3D
TE 540 3D
TE 526 3D Energy
TE 527 3D Energy
TE 540 3D Energy

120 / 264	120 / 264	120 / 264	120 / 264	120 / 264	120 / 264	120 / 264	120 / 264	120 / 264	120 / 264	>2000 / 78.7
120 / 264	120 / 264	120 / 264	120 / 264	120 / 264	120 / 264	120 / 264	120 / 264	120 / 264	120 / 264	2000 / 78.7
120 / 264	120 / 264	120 / 264	120 / 264	120 / 264	120 / 264	120 / 264	120 / 264	120 / 264	120 / 264	1950 / 76.8
120 / 264	120 / 264	120 / 264	120 / 264	120 / 264	120 / 264	120 / 264	120 / 264	120 / 264	120 / 264	1900 / 74.8
120 / 264	120 / 264	120 / 264	120 / 264	120 / 264	120 / 264	120 / 264	120 / 264	120 / 264	119 / 262	1850 / 72.8
120 / 264	120 / 264	120 / 264	120 / 264	120 / 264	120 / 264	120 / 264	120 / 264	120 / 264	116 / 255	1800 / 70.9
120 / 264	120 / 264	120 / 264	120 / 264	120 / 264	120 / 264	120 / 264	120 / 264	117 / 257	113 / 249	1750 / 68.9
120 / 264	120 / 264	120 / 264	120 / 264	120 / 264	120 / 264	120 / 264	118 / 260	114 / 251	109 / 240	1700 / 66.9
120 / 264	120 / 264	120 / 264	120 / 264	120 / 264	120 / 264	120 / 264	116 / 255	111 / 244	107 / 235	1650 / 65.0
120 / 264	120 / 264	120 / 264	120 / 264	120 / 264	118 / 260	113 / 249	108 / 238	104 / 229	100 / 220	1550 / 61.0
120 / 264	120 / 264	120 / 264	114 / 251	109 / 240	104 / 229	100 / 220	96 / 211	92 / 202		1435 / 56.5
900 / 35.4	950 / 37.4	1000 / 39.4	1050 / 41.3	1100 / 43.3	1150 / 45.3	1200 / 47.2	1250 / 49.2	1300 / 51.2		

→ Door width in mm / inch

→ Hinge spacing in mm / inch

REFERENCE VALUE 160 KG / 352 lbs

TE 640 3D A8
TE 640 3D A8 Energy

160 / 352	160 / 352	160 / 352	160 / 352	160 / 352	160 / 352	160 / 352	160 / 352	160 / 352	160 / 352	>2000 / 78.7
160 / 352	160 / 352	160 / 352	160 / 352	160 / 352	160 / 352	160 / 352	160 / 352	160 / 352	160 / 352	2000 / 78.7
160 / 352	160 / 352	160 / 352	160 / 352	160 / 352	160 / 352	160 / 352	160 / 352	160 / 352	160 / 352	1950 / 76.8
160 / 352	160 / 352	160 / 352	160 / 352	160 / 352	160 / 352	160 / 352	160 / 352	160 / 352	160 / 352	1900 / 74.8
160 / 352	160 / 352	160 / 352	160 / 352	160 / 352	160 / 352	160 / 352	160 / 352	160 / 352	159 / 350	1850 / 72.8
160 / 352	160 / 352	160 / 352	160 / 352	160 / 352	160 / 352	160 / 352	160 / 352	160 / 352	154 / 339	1800 / 70.9
160 / 352	160 / 352	160 / 352	160 / 352	160 / 352	160 / 352	160 / 352	160 / 352	156 / 343	150 / 330	1750 / 68.9
160 / 352	160 / 352	160 / 352	160 / 352	160 / 352	160 / 352	160 / 352	158 / 348	152 / 335	146 / 321	1700 / 66.9
160 / 352	160 / 352	160 / 352	160 / 352	160 / 352	160 / 352	160 / 352	160 / 352	153 / 337	147 / 324	1650 / 65.0
160 / 352	160 / 352	160 / 352	160 / 352	160 / 352	160 / 352	155 / 341	149 / 328	143 / 315	137 / 302	1600 / 63.0
160 / 352	160 / 352	160 / 352	160 / 352	157 / 346	150 / 330	144 / 317	138 / 304	133 / 293		1550 / 61.0
160 / 352	160 / 352	160 / 352	152 / 335	145 / 319	139 / 306	133 / 293	128 / 282	123 / 271		1435 / 56.5
900 / 35.4	950 / 37.4	1000 / 39.4	1050 / 41.3	1100 / 43.3	1150 / 45.3	1200 / 47.2	1250 / 49.2	1300 / 51.2		

→ Door width in mm / inch

→ Hinge spacing in mm / inch

LOAD CAPACITIES

TECHNICAL INFORMATION

Overview of load values for hinges

→ Hinge spacing in mm / inch	>2000 / 78.7	200 / 440	200 / 440	200 / 440	200 / 440	200 / 440	200 / 440	200 / 440	200 / 440	200 / 440
	2000 / 78.7	200 / 440	200 / 440	200 / 440	200 / 440	200 / 440	200 / 440	200 / 440	200 / 440	200 / 440
	1950 / 76.8	200 / 440	200 / 440	200 / 440	200 / 440	200 / 440	200 / 440	200 / 440	200 / 440	200 / 440
	1900 / 74.8	200 / 440	200 / 440	200 / 440	200 / 440	200 / 440	200 / 440	200 / 440	200 / 440	200 / 440
	1850 / 72.8	200 / 440	200 / 440	200 / 440	200 / 440	200 / 440	200 / 440	200 / 440	200 / 440	198 / 436
	1800 / 70.9	200 / 440	200 / 440	200 / 440	200 / 440	200 / 440	200 / 440	200 / 440	200 / 440	193 / 425
	1750 / 68.9	200 / 440	200 / 440	200 / 440	200 / 440	200 / 440	200 / 440	200 / 440	200 / 440	195 / 429
	1700 / 66.9	200 / 440	200 / 440	200 / 440	200 / 440	200 / 440	200 / 440	197 / 434	190 / 418	182 / 401
	1650 / 65.0	200 / 440	200 / 440	200 / 440	200 / 440	200 / 440	200 / 440	192 / 423	184 / 405	177 / 390
	1600 / 63.0	200 / 440	200 / 440	200 / 440	200 / 440	200 / 440	194 / 427	186 / 410	178 / 392	172 / 379
	1550 / 61.0	200 / 440	200 / 440	200 / 440	200 / 440	196 / 432	188 / 414	180 / 396	173 / 381	166 / 365
1435 / 56.5	200 / 440	200 / 440	200 / 440	190 / 418	182 / 401	174 / 383	167 / 368	160 / 352	154 / 339	
	900 / 35.4	950 / 37.4	1000 / 39.4	1050 / 41.3	1100 / 43.3	1150 / 45.3	1200 / 47.2	1250 / 49.2	1300 / 51.2	

→ Door width in mm / inch

→ Hinge spacing in mm / inch	>2000 / 78.7	300 / 661	300 / 661	300 / 661	300 / 661	300 / 661	300 / 661	300 / 661	300 / 661	300 / 661
	2000 / 78.7	300 / 661	300 / 661	300 / 661	300 / 661	300 / 661	300 / 661	300 / 661	300 / 661	300 / 661
	1950 / 76.8	300 / 661	300 / 661	300 / 661	300 / 661	300 / 661	300 / 661	300 / 661	300 / 661	300 / 661
	1900 / 74.8	300 / 661	300 / 661	300 / 661	300 / 661	300 / 661	300 / 661	300 / 661	300 / 661	300 / 661
	1850 / 72.8	300 / 661	300 / 661	300 / 661	300 / 661	300 / 661	300 / 661	300 / 661	300 / 661	298 / 656
	1800 / 70.9	300 / 661	300 / 661	300 / 661	300 / 661	300 / 661	300 / 661	300 / 661	300 / 661	289 / 637
	1750 / 68.9	300 / 661	300 / 661	300 / 661	300 / 661	300 / 661	300 / 661	300 / 661	293 / 645	281 / 619
	1700 / 66.9	300 / 661	300 / 661	300 / 661	300 / 661	300 / 661	300 / 661	296 / 652	284 / 626	273 / 601
	1650 / 65.0	300 / 661	300 / 661	300 / 661	300 / 661	300 / 661	300 / 661	287 / 632	276 / 608	265 / 584
	1600 / 63.0	300 / 661	300 / 661	300 / 661	300 / 661	300 / 661	291 / 641	279 / 615	268 / 590	257 / 566
	1550 / 61.0	300 / 661	300 / 661	300 / 661	300 / 661	295 / 650	282 / 621	270 / 595	259 / 570	249 / 548
1435 / 56.5	300 / 661	300 / 661	300 / 661	286 / 630	273 / 601	261 / 575	250 / 551	240 / 529	231 / 509	
	900 / 35.4	950 / 37.4	1000 / 39.4	1050 / 41.3	1100 / 43.3	1150 / 45.3	1200 / 47.2	1250 / 49.2	1300 / 51.2	

→ Door width in mm / inch

REFERENCE VALUE **200 KG** / 440 lbs

TE 640 3D
TE 640 3D Energy

REFERENCE VALUE **300 KG** / 661 lbs

TE 645 3D

The specifications above are guidelines. Especially in the case of borderline load requirements, please contact us.

**POWDER
COATED
FINISHES ***

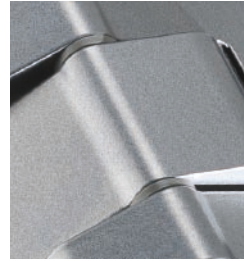
070 traffic white
RAL 9016



107 matte deep black
RAL 9005



124 satin chrome look
F1



125 satin nickel look
F2



156 rustic umber

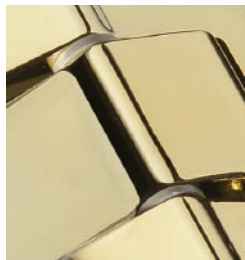


168 bronze metallic



**GALVANIC
PLATED
FINISHES ***

030 polished brass



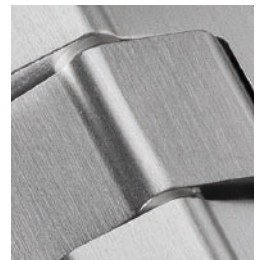
038 polished nickel



144 satin nickel



146 satin chrome



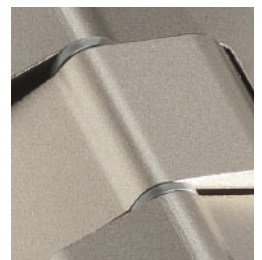
**BRUSHED
STAINLESS
STEEL**

040 satin stainless steel



**GALVANIC/
LIQUID
COATED
FINISHES ***

126 stainless steel look
SSL



Brochure TECTUS Concealed Hinges



08/2012

5 800349 0 00001/2.0

SIMONSWERK do not accept responsibility for misprints and subsequent specification changes although every effort has been made to avoid any errors during preparation of this brochure.



FOR A DEALER IN THE U.S.
CALL 1-800-362-1484

