



REFERENCE SHEET

FROM

Anemostat[®]

DOOR PRODUCTS

A MESTEK COMPANY

1220 E WATSON CENTER RD

CARSON, CA 90745-4206

(310) 835-7500 • FAX (310) 835-0448

e-mail: door@anemostat.com • website: www.anemostat.com

LoPro™-CS-HC

HALF CIRCLE CUSTOM SHAPES

MANUFACTURED FROM:

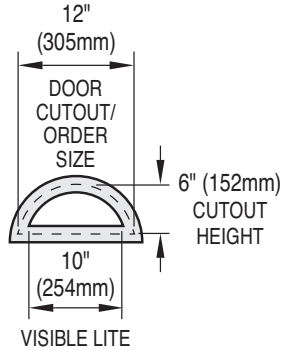
LOFP-12 AA1, AB1, BB1

LOFP-18 AA1, AB1, BB1

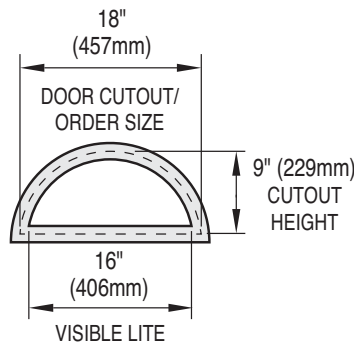
LOFP-24 AA1

DETAIL DRAWING

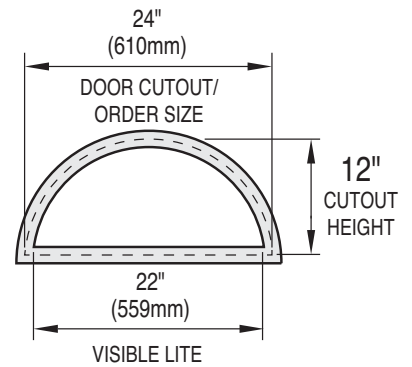
HC-12



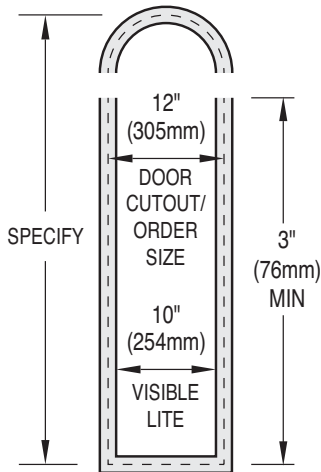
HC-18



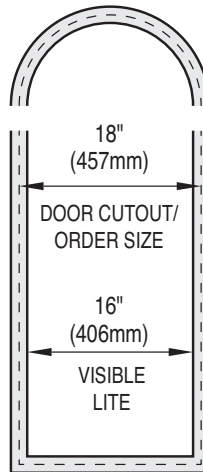
HC-24



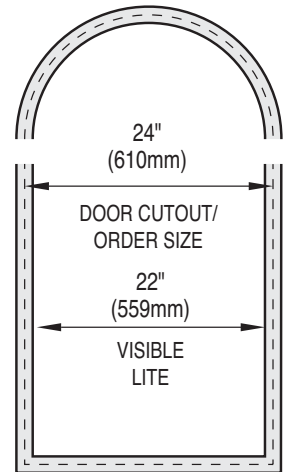
HCT-12



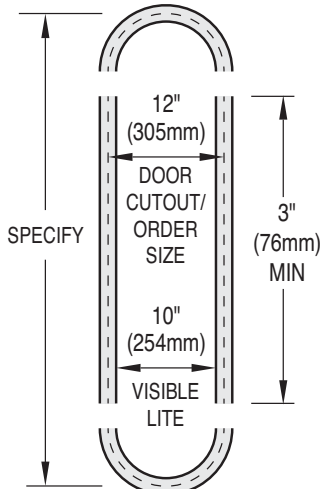
HCT-18



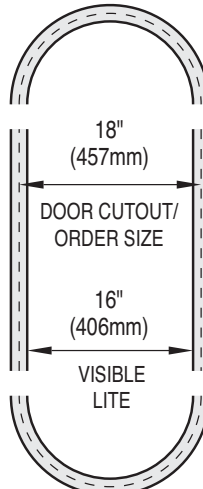
HCT-24



HCTB-12



HCTB-18



HCTB-24

