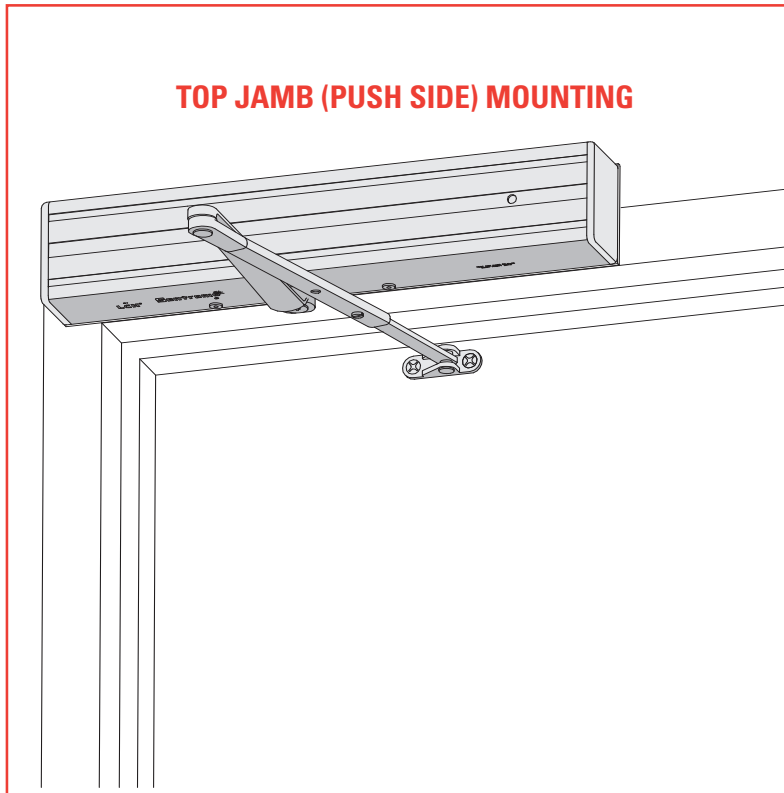


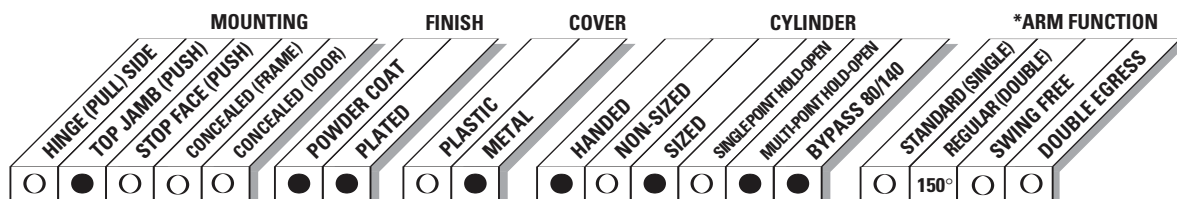
# LCN 4410ME SERIES



*The 4410ME SENTRONIC® is a heavy duty, electrically controlled closer/holder designed to provide infinitely adjustable hold-open for fire and smoke barrier doors. Door is held open until current interruption releases mechanism and the door closes. Double lever arm closer is specifically designed for interior doors. Choice of finishes, cylinder functions, and installation accessories meet virtually all life safety requirements.*

- ▶ Standard 4410ME series closer shipped with a 24V or 120V cylinder (please specify) on a mounting plate, metal cover, regular arm, and wood and machine screw pack. See 4410ME Series pages 35 & 36 for options.
- ▶ Sized cylinder for interior doors to 4'0".
- ▶ Functions as full rack and pinion door closer when hold-open is not engaged or current is interrupted.
- ▶ Handed for right or left swinging door.
- ▶ Concealed or exposed electrical connections.
- ▶ Built-in "On/Off" switch controls hold-open function.
- ▶ Interfaces with fire alarm systems. Consult factory.
- ▶ Standard or optional custom powder coat finish.
- ▶ Optional plated finish on cover, arm, and fasteners.

*The 4410ME Series is UL listed for smoke barrier or labeled fire doors. Tested and certified under ANSI Standard A156.15. Conforms to life safety code, NFPA 101. An ME provides only the closer/holder function.*



● Available  
○ Not available

\* Maximum hold-open with standard template. See individual closer series for degrees of opening and hold-open per installation.

# LCN 4410ME SERIES

## TOP JAMB (PUSH SIDE) MOUNTING

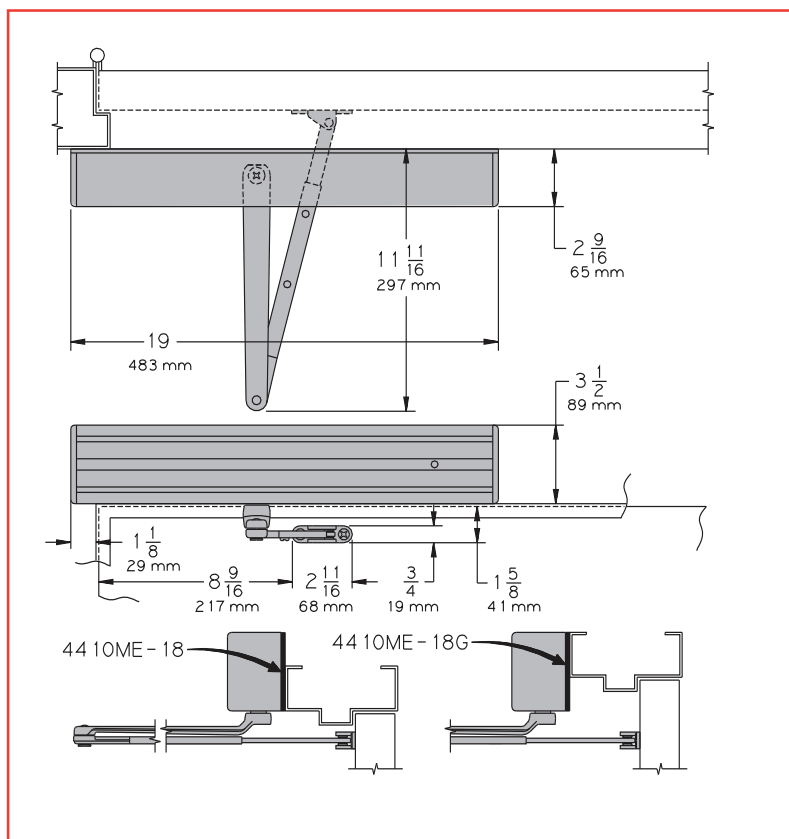
### MAXIMUM OPENING

Templating allows 160°, infinite hold-open points up to 150°.

Optional long arm allows 180°, hold-open points up to 170°.

### ME ELECTRICAL OPTIONS

These assemblies have a single electrical circuit with a choice of voltages. A separate TRANSFORMER, 4040SE-3210, can be used to reduce line voltage to 24V AC. Circuitry accepts either AC or DC input. 24V holding solenoid (**24**) or 120V holding solenoid (**120**), please specify.



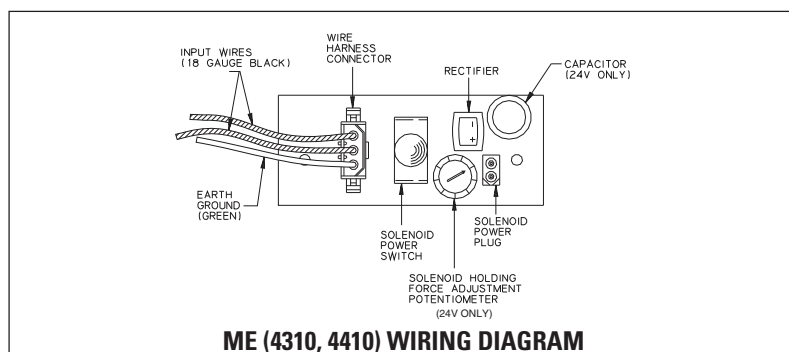
### Options

- ▶ Hold-open bypass.
- ▶ Optional long arm allows 180° with hold-open points up to 170°.
- ▶ Optional -18G plate accommodates flush ceiling conditions.
- ▶ 24V or 120V volt input, please specify.

### Special Templates

Customized installation templates or products may be available to solve unusual applications. Contact LCN for assistance.

- ▶ **Butt Hinges** should not exceed 4 1/2" (114 mm) in width.
- ▶ **Top Rail** 1 3/4" (44 mm) minimum. 3 3/4" (95mm) minimum with flush ceiling.
- ▶ **Reveal** 3 7/8" (98 mm) maximum regular or long arm. For reveals greater than 3 7/8" consult factory.
- ▶ **Head Frame** requires 1 1/2" (38 mm) minimum. 2" (51 mm) minimum with flush ceiling.
- ▶ **Flush Ceiling** requires PLATE, 4410ME-18G substituted for standard mounting plate.
- ▶ **Bypass** (suffix "B80 or B140") eliminates hold-open function up to a specified point of the doors swing. B80 cylinder from 0° to 80°. B140 cylinder from 0° to 140°.
- ▶ **Wiring Diagram**



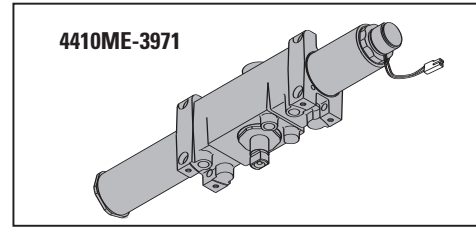
ME (4310, 4410) WIRING DIAGRAM

# LCN 4410ME SERIES

## CYLINDER

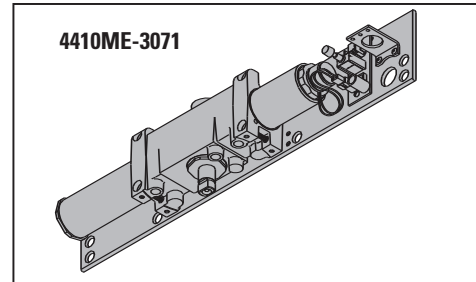
### ME CYLINDER, 4410ME-3971

Standard, handed cast iron cylinder assembly. 24V holding solenoid **(24)** or 120V holding solenoid **(120)**, please specify.



### ME CYLINDER, 4410ME-3071

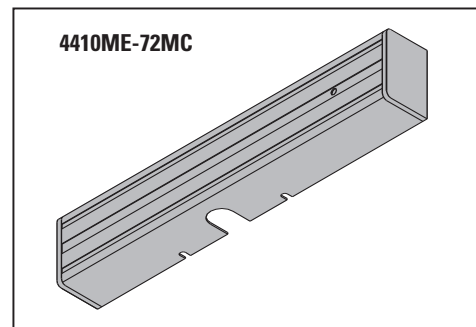
Standard, handed cylinder and mounting plate assembly. "On/Off" switch assembly controls hold-open function. Circuitry accepts either AC or DC input. 24V holding solenoid **(24)** or 120V holding solenoid **(120)**, please specify.



## COVERS

### COVER, 4410ME-72MC

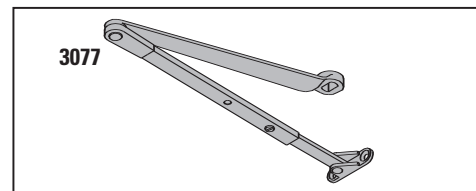
Handed, metal cover.



## ARMS

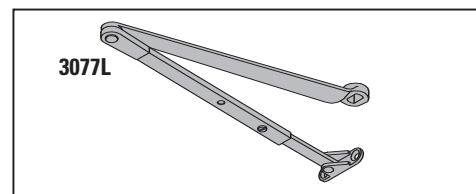
### REGULAR ARM, 4410ME-3077

Non-handed arm. 3 7/8" (98 mm) maximum reveal.



### LONG ARM, 4410ME-3077L

Optional long ARM for increasing opening to 180°. 3 7/8" (98 mm) maximum reveal.

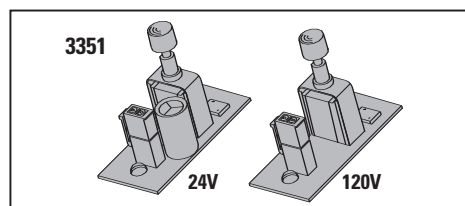


# LCN 4410ME SERIES

## SWITCH

### SWITCH, 4410ME-3351

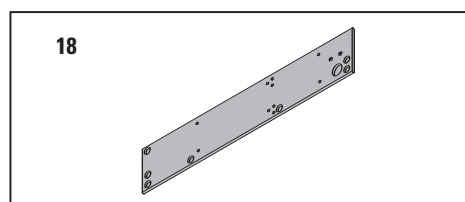
"On/Off" switch assembly provides continuous hold-open function. Available as 24V or 120V, please specify.



## INSTALLATION ACCESSORIES

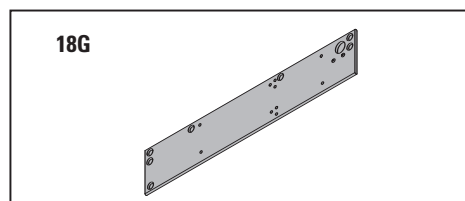
### MOUNTING PLATE, 4410ME-18

Standard mounting plate.



### MOUNTING PLATE, 4410ME-18G

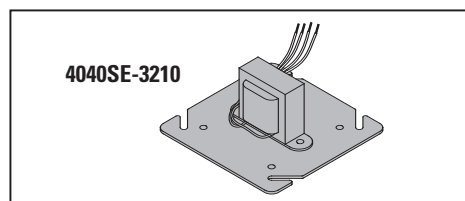
Optional mounting plate substituted for standard plate on flush ceiling installations.



### TRANSFORMER, 4040SE - 3210

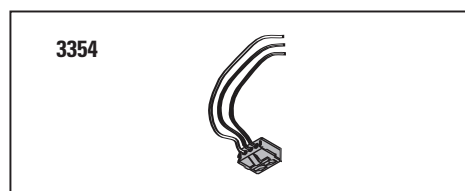
Reduces line voltage from 120V to 24V AC.

Mounted on cover for 4" (102 mm) x 4" x 2 1/8" (54 mm) junction box (by others).



### ME WIRING HARNESS, 4410ME-3354

Three wire harness with 6" (152 mm) leads for field wiring connections.



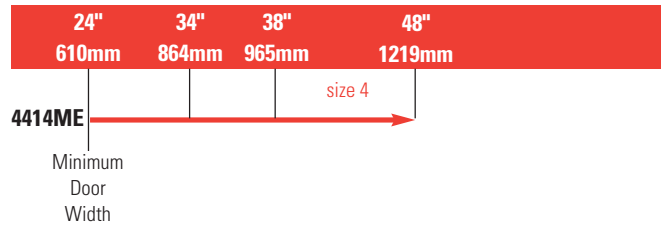
# LCN 4410ME SERIES

## TABLE OF SIZES

Closing power of 4414ME Series closers may be increased 15%.

→ Indicates recommended range of door width for closer size.

### INTERIOR DOOR WIDTH



Aluminum, Dark Bronze, Statuary,  
Light Bronze, Black, Brass.

## HOW-TO-ORDER 4410ME SERIES CLOSERS

### 1. SELECT CYLINDER SIZE.

4414ME

### 2. SPECIFY HAND.

RH

LH

### 3. VOLTAGE

24V AC/DC

120V AC/DC

### 4. SPECIFY FINISH.

Standard Powder Coat \_\_\_\_\_  
Aluminum, Dark Bronze, Statuary,  
Light Bronze, Black, Brass.

#### **Closer will be shipped with:**

- STANDARD COVER,
- REGULAR ARM,
- WOOD & MACHINE SCREW PACK,  
unless options listed below are selected.

## CLOSER OPTIONS

### CYLINDER FUNCTION

Bypass 80° (B80)

Bypass 140° (B140)

### ARM

Long (LONG)

### FINISHES

Custom Powder Coat (RAL) \_\_\_\_\_

Plated Finish, US \_\_\_\_\_

### SCREW PACK

TB\*, Wood & Machine Screw (TBWMS)

TORX Machine Screw (TORX)

TB\* & TORX Machine Screw (TBTRX)

\*Specify door thickness if other than 1 3/4".

### INSTALLATION ACCESSORIES

Plate, 4410ME-18G

(substituted for standard mounting plate.)

Transformer, 4040SE-3210

### SPECIAL TEMPLATE

ST- \_\_\_\_\_

ORDERING INFORMATION