

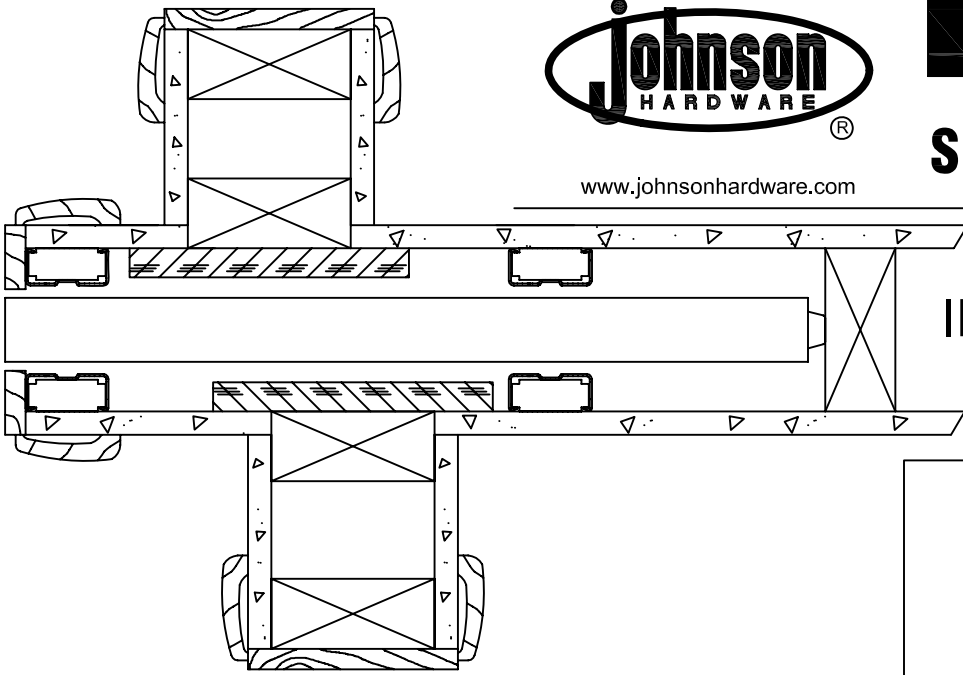


www.johnsonhardware.com

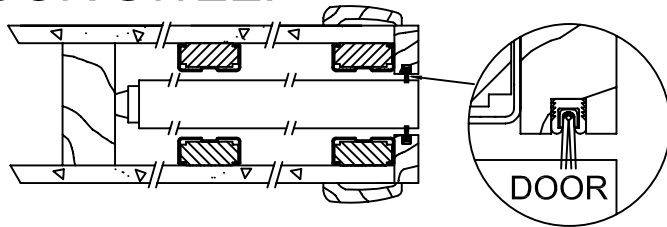
INSTRUCTIONS

SPECIAL APPLICATIONS

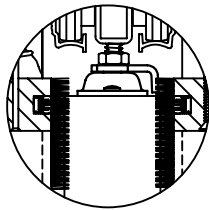
INTERSECTING WALLS



DOOR SWEEP



● PEMKO 5025_p



3/16" (5mm)

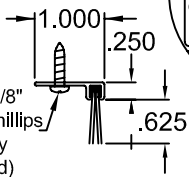
3/4" (19mm)

DOOR HEIGHT + 4-1/2" (114mm)

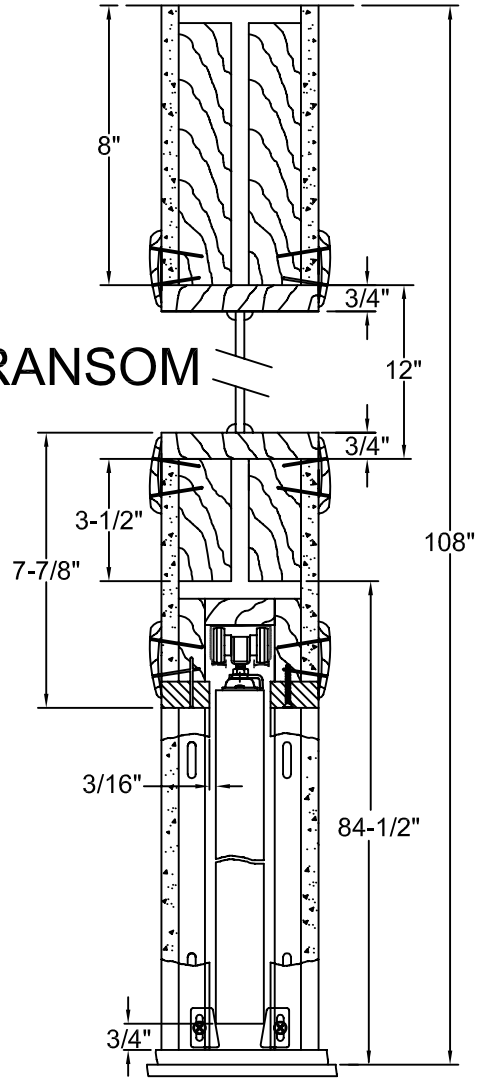
1/8" (3.2mm)

No. 6 x 5/8" PHSMS, Phillips (Factory Provided)

● PEMKO 90062_P



TRANSOM



BI - PARTING POCKET DOOR

