



INST.COR

# COR32, COR42, COR52, COR60 & COR72

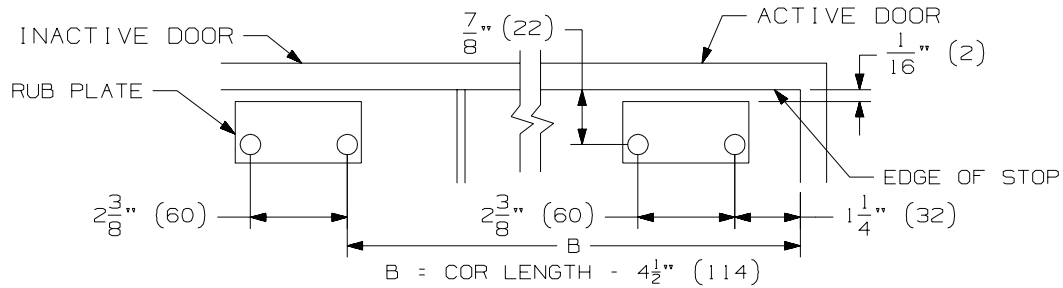
# IVES

Coordinator with CB1 Carry Bar, MB1 & MB2 Mounting Brackets

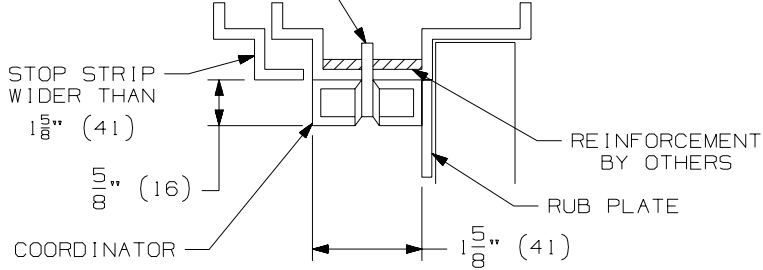
Installation Instructions

NOTE: INSTALL COORDINATOR BEFORE ANY OTHER HARDWARE EXCEPT HINGES AND DOORS. FRAMES MUST BE ADEQUATELY REINFORCED.

1 WITH DOORS CLOSED, LOCATE RUB PLATE AS SHOWN.



2 #12-24 MOUNTING SCREWS. COR MUST BE MOUNTED FLUSH AGAINST ACTIVE STOP.



TO INSTALL COORDINATOR:

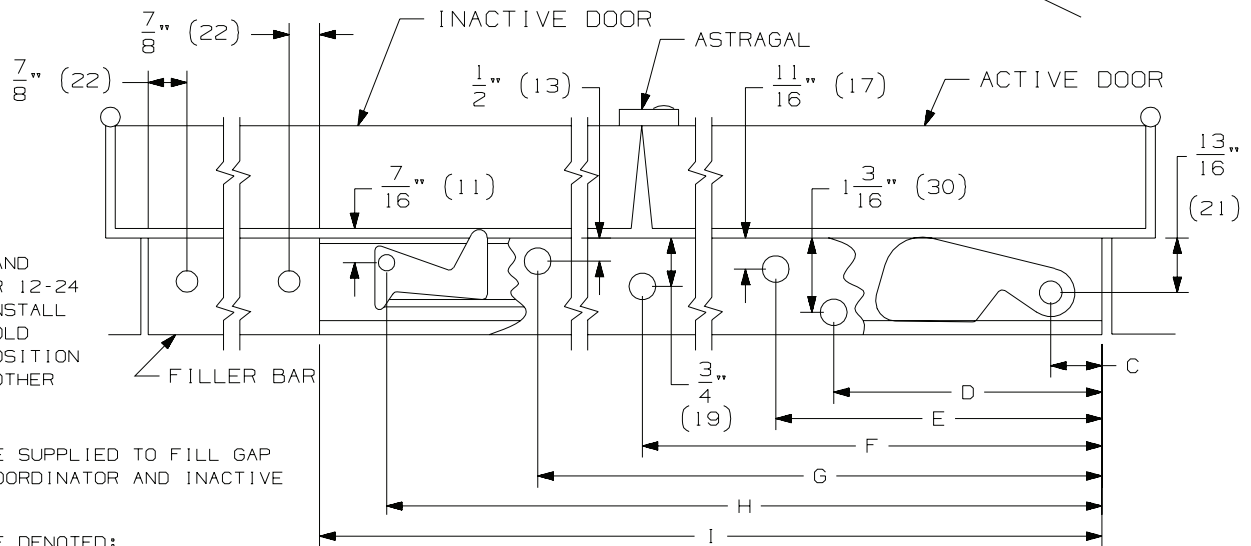
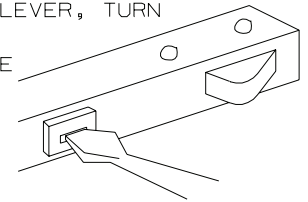
LOCATE AS SHOWN AND DRILL AND TAP FOR 12-24 MACHINE SCREW. INSTALL 12-24 SCREW TO HOLD COORDINATOR IN POSITION BEFORE DRILLING OTHER MOUNTING HOLES.

FILLER BAR MAY BE SUPPLIED TO FILL GAP BETWEEN END OF COORDINATOR AND INACTIVE DOOR FRAME.

FILLER PIECES ARE DENOTED: FL20, FL32 AND FL44. FL20 IS 20" (203) LONG. FL32 IS 32" (813) LONG. FL44 IS 44" (1118) LONG.

TO INSTALL FILLER BAR, CUT FILLER BAR TO LENGTH NEEDED. DRILL Ø25/64" (10) HOLES IN FILLER BAR AT LOCATIONS INDICATED. PLACE BUSHINGS IN THESE HOLES. DRILL AND TAP MOUNTING HOLES FOR 12-24 MACHINE SCREW. INSTALL 12-24 MACHINE SCREW THROUGH BUSHINGS. THE BUSHING WILL PREVENT THE FILLER BAR FROM COLLAPSING.

3 HOLD OPEN ADJUSTMENT. NOTE: THE FACTORY ADJUSTMENT OF THIS UNIT IS INTENDED FOR NORMAL INSTALLATIONS. A STRONGER ADJUSTMENT COULD RESULT IN DAMAGE TO FRAME AND HINGES. TO INCREASE OVER RIDE TENSION OF ACTIVE DOOR LEVER, TURN ADJUSTMENT NUT COUNTERCLOCKWISE WITH A LARGE SCREWDRIVER.

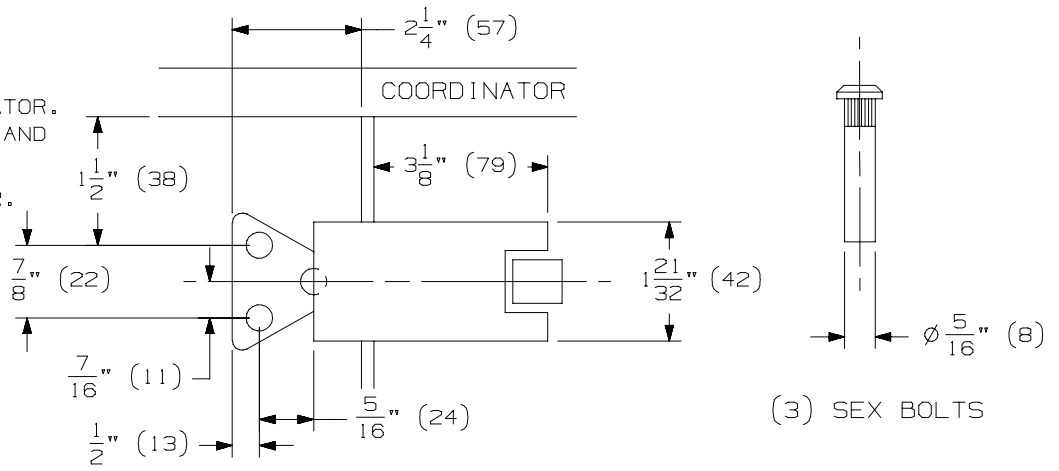


LENGTH OF CHANNEL (I)	DIMENSIONS					
	C	D	E	F	G	H
32"	7/8" (22)	4 7/8" (124)	11 13/32" (290)	OMIT	28" (791)	31 1/8" (791)
42"	7/8" (22)	4 7/8" (124)	11 13/32" (290)	27 5/8" (702)	38" (965)	41 1/8" (1044)
52"	7/8" (22)	4 7/8" (124)	11 13/32" (290)	27 5/8" (702)	48" (1219)	51 1/8" (1299)
60"	7/8" (22)	4 7/8" (124)	11 13/32" (290)	27 5/8" (702)	56" (1422)	59 1/8" (1502)
72"	7/8" (22)	4 7/8" (124)	11 13/32" (290)	27 5/8" (702)	68" (1727)	71 1/8" (1807)

NOTE: DIMENSIONS IN ( ) ARE MILLIMETERS.

4 CB1

CB1 CARRY BAR MAY BE SUPPLIED WITH COORDINATOR. LOCATE HOLES AS SHOWN AND DRILL  $\phi \frac{5}{16}$ " FOR SEX BOLTS ON INACTIVE DOOR.

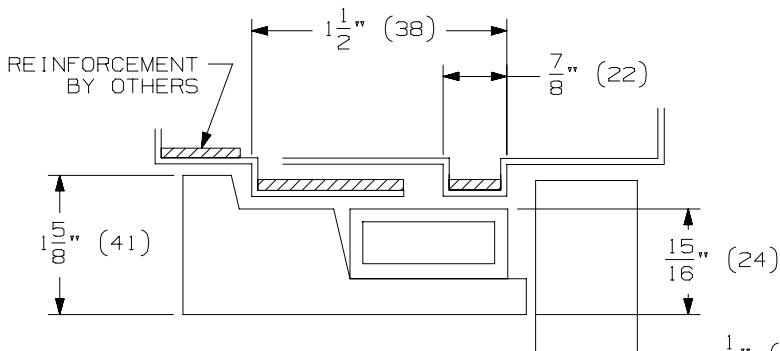


5

MOUNTING BRACKETS FOR STOP APPLIED HARDWARE MAY BE SUPPLIED WITH COORDINATOR. BRACKETS MUST BE FIELD PREPARED FOR STOP APPLIED HARDWARE. LOWER MOUNTING HOLES FOR DOOR APPLIED HARDWARE  $\frac{1}{16}$ " TO CLEAR COORDINATOR AND MOUNTING BRACKET.

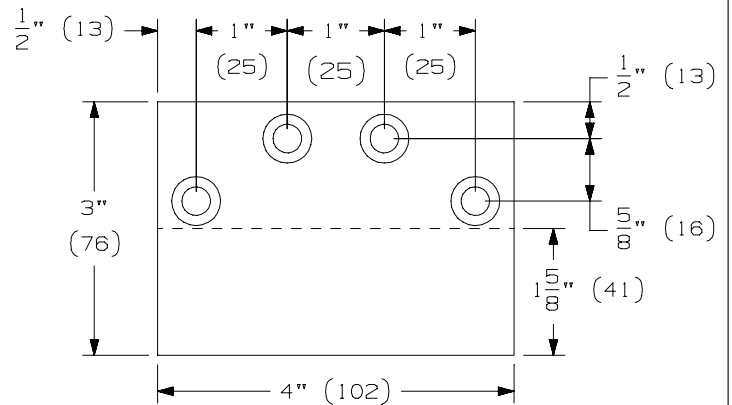
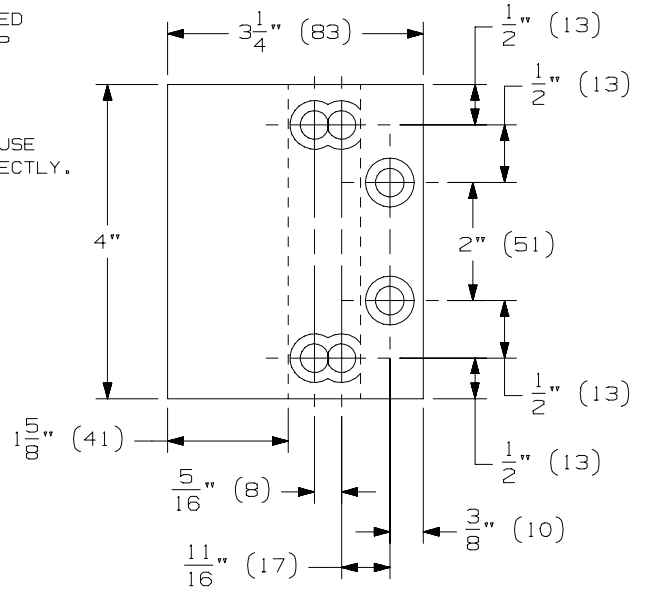
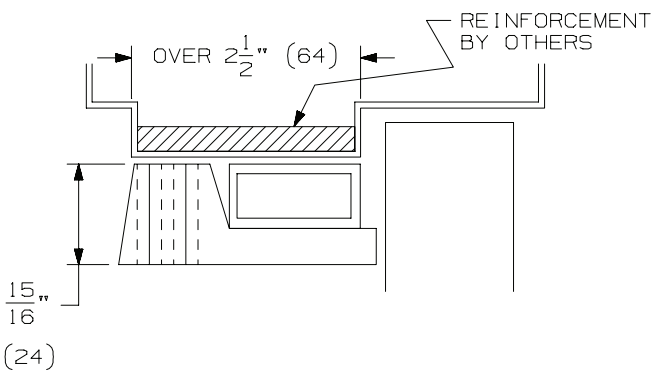
NOTE: DO NOT DRILL HOLES IN THE COORDINATOR. THIS WILL CAUSE DAMAGE TO THE UNIT AND THE COORDINATOR WILL FUNCTION CORRECTLY.

MB2 MOUNTING BRACKET FOR STRIP WIDTH UP TO  $2\frac{1}{2}$ "



MB1 MOUNTING BRACKET

FOR STOP STRIP WIDTHS OVER  $2\frac{1}{2}$ " (64)



	QTY	SCREW DETAILS
COORDINATOR	6	12-24 X $1\frac{1}{4}$ " TRPHMS
FILLER BAR	2	BUSHINGS
	2	12-24 X $1\frac{1}{4}$ " TRPHMS
RUB PLATE	4	8 X $\frac{3}{4}$ " FPHSMS
CARRY BAR	3	12-24 X $1\frac{1}{4}$ " TRPHMS
	3	$\phi \frac{5}{16}$ " SEX BOLT
MB1 OR MB2	4	12-24 X $1\frac{1}{4}$ " TRPHMS

NOTE: FOR MB1F, MB2F, MB3F, MB1V, MB2V OR MB3V, SEE SEPARATE INSTRUCTIONS.

NOTE: DIMENSIONS IN ( ) ARE MILLIMETERS.

Customer Service

1-877-671-7011

www.allegion.com



© Allegion 2014  
Printed in U.S.A.  
INST.COR Rev. 01/14-b