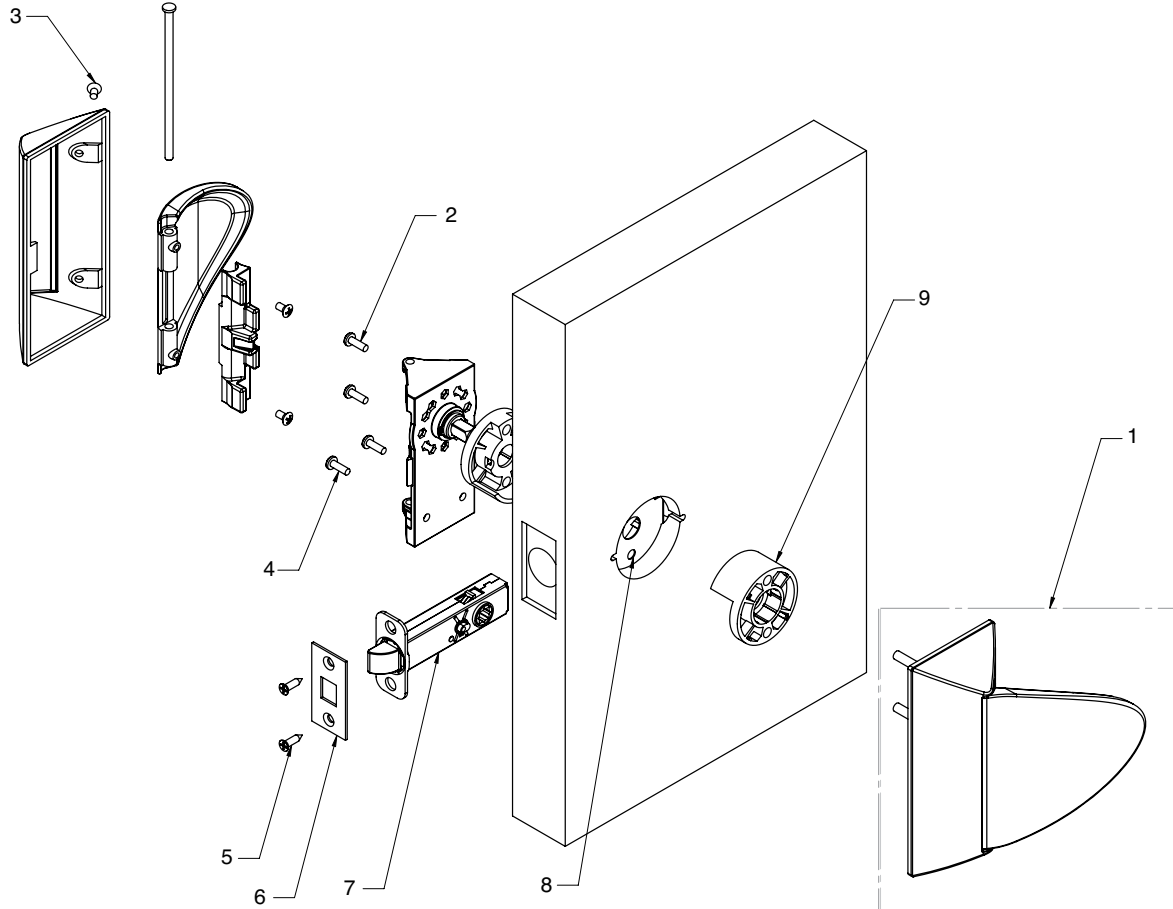


INSTALLATION INSTRUCTIONS

HP Bored Lock with ALP Push/Pull Trim PATENT PENDING

FOR INSTALLATION ASSISTANCE CALL SARGENT AT 1-800-727-5477 / www.sargentlock.com



Item No.	Part No.	Description	Req.
1	—	Inside Trim Set (ALP)	2
	—	Outside Trim Set (ALP)	
2	01-1495	# 8-32 x 5/8" Machine Screw	2
3	01-9379	# 8-32 x 5/16" Machine Screw	4
4	01-1500	# 8 x 1/2" Wood Screw	4
	01-1224	# 8-32 x 9/16" Machine Screw	
5	01-5000	Front Screw #8-32 x 3/4" Combination Screw	2
6	—	HP Outside Front Plate	1
7	—	Latch - Varies by Function	1
8	DL-0071	Fire Guard Clip	1
9	HP-0021	161 Spacer	2
10	HP-0007	Push Button (65 Function Only) - Not Shown	1
11	81-0723	Mounting Post - Not Shown	1
12	DL-0019	Strike Box - Not Shown	1
13	—	Strike- Varies - Not Shown	1
14	—	Strike Screws- Varies - Not Shown	2

Tools Required:

Phillips screwdriver #2
Drill
7/46" Drill Bit (Wood Door)
#8-32 Tap (Metal Door)
0.136" (#18) Tap Drill

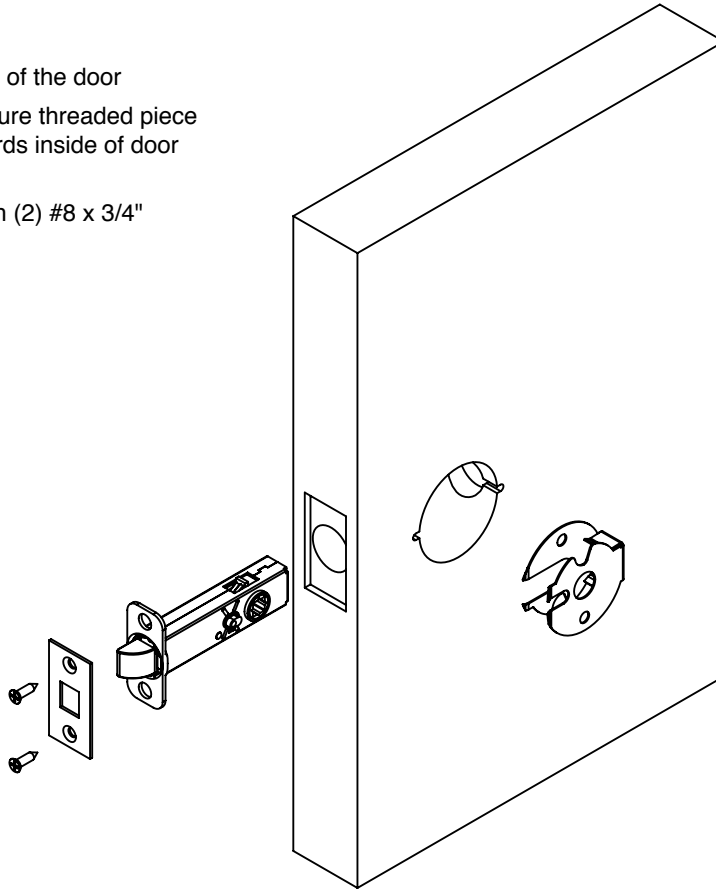
Refer to door template 4695 for required door preparation

STEP 1

Install of Latch

- Slide fire clip into door
- Slide latch into the edge of the door
- Position latch to make sure threaded piece on latch is pointed towards inside of door (for 65 function locks)
- Secure latch in door with (2) #8 x 3/4" combination screws

Do not tighten fully

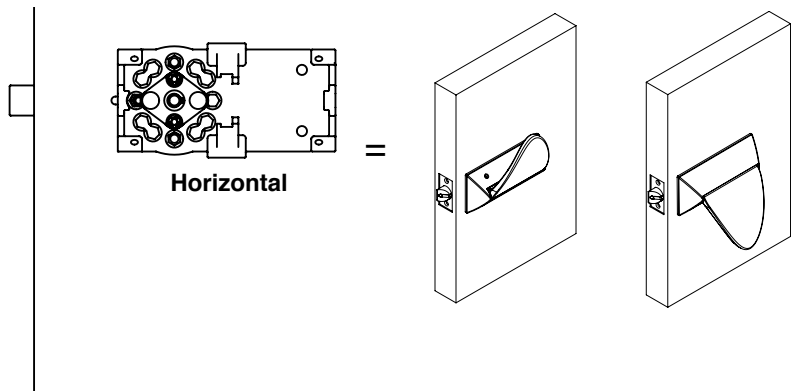
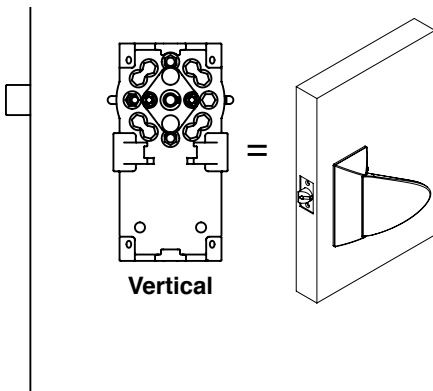


STEP 2

Determine Orientation of Trim

*NOTE: Chassis is packed with the cover and paddle attached. Remove prior to starting Step 3.

- The trim can be mounted vertically or horizontally
- Note: Vertical mount required for 65 function (Privacy)**
- Position and verify the spindle is engaged into the latch hubs



- Cams must be oriented as shown

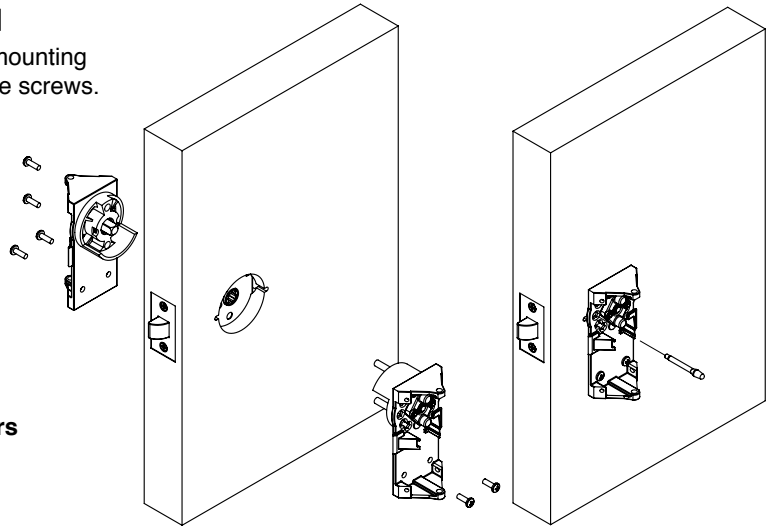
STEP 3

Installation of Chassis

1. Press Plastic 161 spacers onto (2) chassis [one up / one down]
2. Through bolt the (2) chassis to each other by inserting the (2) mounting posts from the outside and secure with (2) #8-32 x 5/8" machine screws.

Do not tighten screws fully at this point.

3. Level Chassis, verifying both chassis are horizontal and vertical to door edge.
4. Tighten through bolts.
5. Firmly tighten latch screws.
6. Install surface mounted screws.
 - For wood doors: 7/64" pilot hole
 - For metal doors: drill and tap for a #8-32 screw
7. **Check operation by turning cams by hand. If binding occurs loosen mounting screws and retighten.**
8. For 65 function (Privacy), install push button on inside of door.



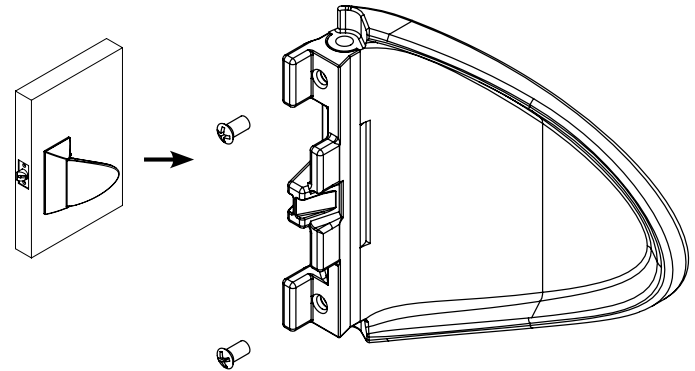
IMPORTANT! Both chassis must be square to the door to ensure proper operation.

STEP 4

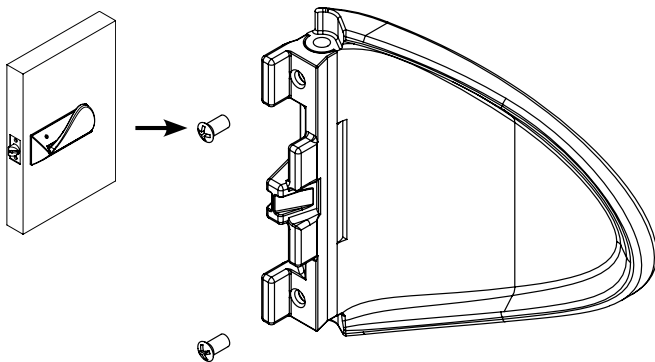
Determine Paddle Orientation

- The paddle has three potential orientations:
 - VERTICAL
 - HORIZONTAL- UP
 - HORIZONTAL- DOWN
- The insert is attached to the paddle using (2) #8-32 x 5/16" Machine Screws – VC-3 Coated

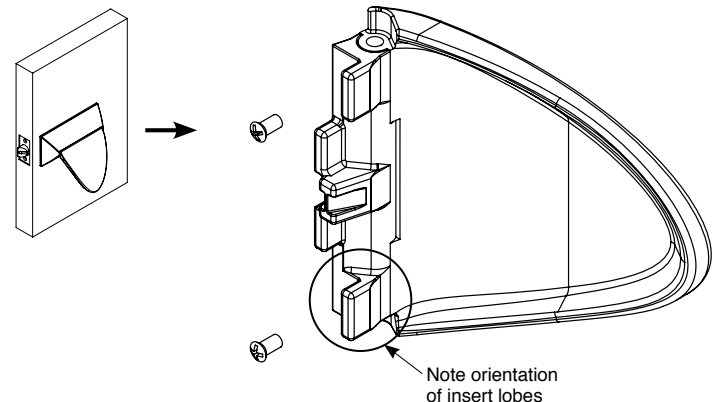
If trim is mounted **VERTICAL** and the end of the paddle will point towards the **HINGE**, attach the insert to the paddle in the orientation shown:



If trim is mounted **HORIZONTAL** and the end of the paddle will point **UP**, attach the insert to the paddle in the orientation shown (Same as vertical):



If trim is mounted **HORIZONTAL** and the end of the paddle will point **DOWN**, attach the insert to the paddle in the orientation shown:



SARGENT
ASSA ABLOY

ASSA ABLOY, the global leader
in door opening solutions

Copyright © 2010, Sargent Manufacturing Company, an ASSA ABLOY Group company.
All rights reserved. Reproduction in whole or in part without the express written permission
of Sargent Manufacturing Company is prohibited.

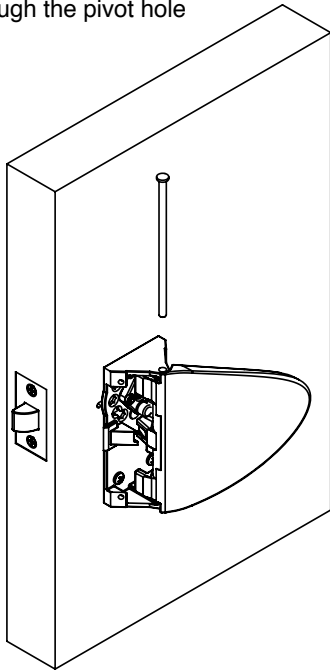
A8054A 10-29-10

3

STEP 5

Installation of Paddles

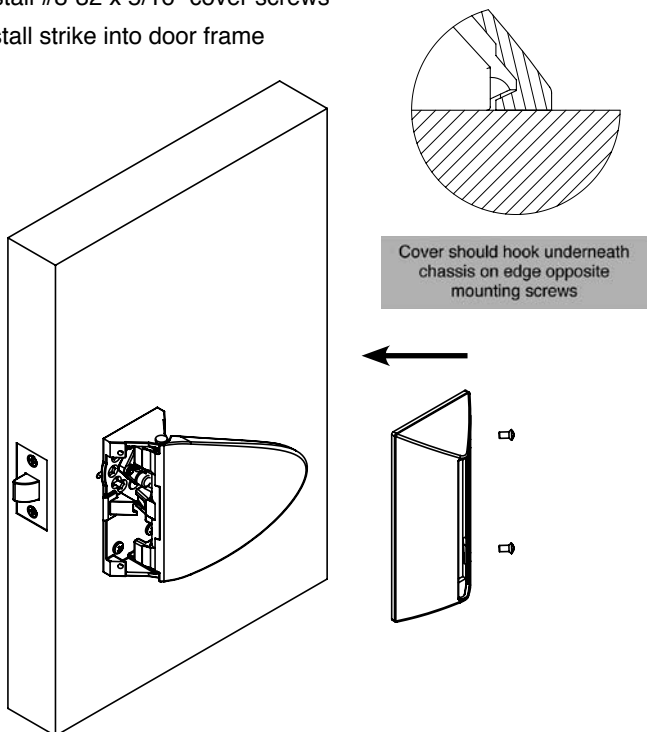
- Attach paddle to the chassis in the desired orientation by inserting the axle through the pivot hole



STEP 6

Installation of Covers

- Slide cover over paddle
- Press cover against door surface and slide back until mounting holes align with those of the chassis
- Install #8-32 x 5/16" cover screws
- Install strike into door frame



Mark for
1" hole (25mm)
at center of
door thickness

2-1/4" (57mm)
2" (51mm)
1-3/4" (57mm)

