

DICTATOR V 1600 Door Check

For Interior, Exterior and Fire Protection Doors

The V 1600 is specified for interior and exterior doors. It has the same patented, hidden fixing system as the VS 2000 door check. Its cylinder is completely cased, too.

The V 1600 door check is appropriate for the installation on recessed doors. For this kind of door it is furnished with a special hook (type 1011).

In addition to the chromed or colour coated models, the door damper V 1600 is available also in stainless steel. If stainless steel is required for optical reasons only, on demand there is available a more economic version with zinc-plated steel cylinder.

A special model of the V 1600 without adjustment and with strong spring has been tested for use on fire protection doors and has been issued test certificate no. P-120001480 by the German building authorities. It specifies the use of a mounting plate (see page 02.019.00 et sqq.).

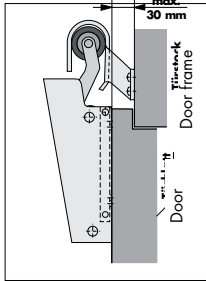
The door damper is designed for installation on the face of the door. By default it is mounted vertically. For horizontal mounting you need a special "H" model.



Technical Data

Types of doors	left and right operating, overlapping, flush, recessed
Closing force	20, 50, 80 or 115 N (measured on the door damper)
Damping characteristics	progressive, adjustable closing speed
Damping fluid	silicone oil, almost independent of temperature
Components included	door damper, hook, screws
Material	steel or stainless steel (satin)
Finish (steel)	polished and satin chrome, golden, colour coated
Recommended accessories	Piccolo or Concealed jamb closer closing spring

Mounting

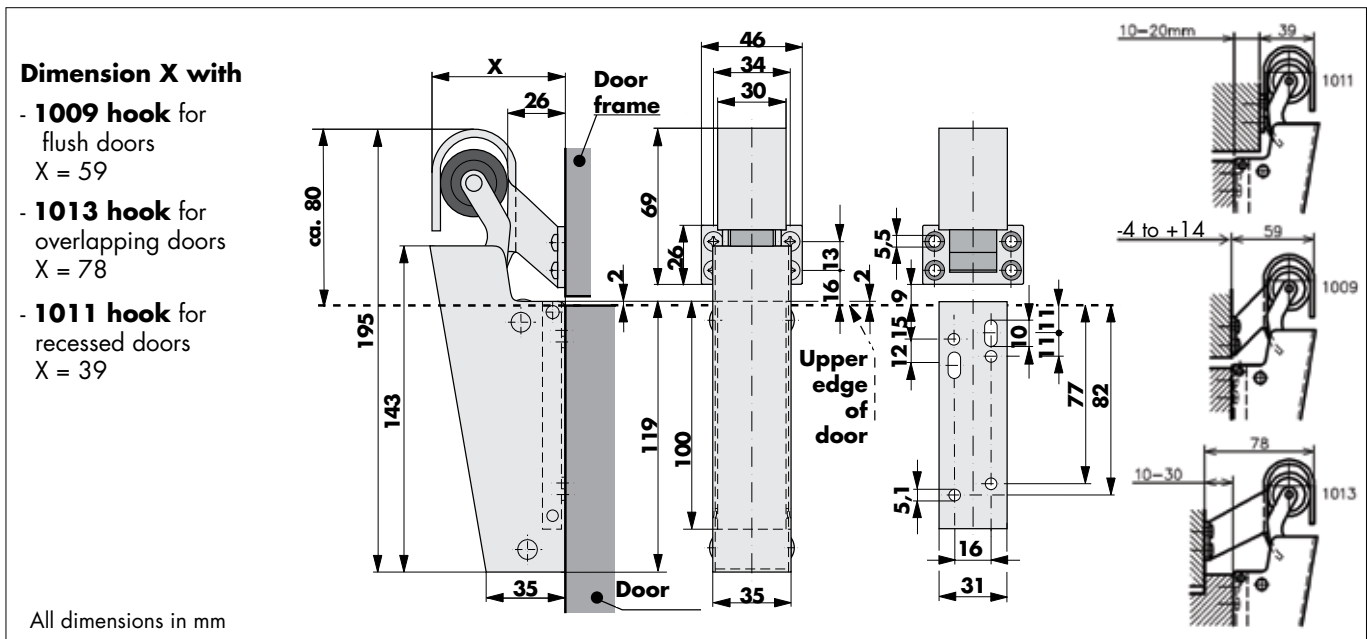


To mount the V 1600 door damper unfold the mounting plate from the case and mark the oblong hole on the door (about 40 cm from the closing edge of the door). The upper edge of the mounting plate should overlap the upper edge of the door by about 2 mm. When it is in a completely vertical position screw the plate to the door with all 4 screws $\varnothing 4.5 \times 19$. Now hinge the body down and clip into position.

The hook should be mounted so that the rubber roller on the bent operating lever only just touches its front edge when closing.

Please use the 1013 hook for overlapping doors (10 - 30 mm) and the 1011 hook for recessed doors (10 - 20 mm). At present the hooks 1011 and 1013 are not available in stainless steel.

Dimensions



Order Information

(Further types on request)

Hook type		1009	1011	1013
V 1600 door check	20 N, polished chrome	300464	**	300967
V 1600 door check	20 N, satin chromed	300464X	**	**
V 1600 door check	20 N, RAL 9010 white	300466L	**	**
V 1600 door check	20 N, AISI 304	300610	-	-
V 1600 door check	50 N, polished chrome	300460	**	300461
V 1600 door check	50 N, satin chromed	300460X	300457	300461X
V 1600 door check	50 N, RAL 9010 white	300466	**	300965
V 1600 door check	50 N, RAL 8017 brown	300454	**	300966
V 1600 door check	50 N, golden shining	300468	**	**
V 1600 door check	50 N, AISI 304	300612	-	-
V 1600 door check	80 N, polished chrome	300480	**	300951
V 1600 door check,	80 N, satin chromed	300480X	**	**
V 1600F* door check	80 N, polished chrome	300960	300963	300973
V 1600 door check	80 N, RAL 9010 white	**	**	300968
V 1600 door check	80 N, AISI 304	300614	-	-

Notes:

* V 1600F, type for fire-protection doors, without adjustment, approved by the German building authorities for fire protection doors

** Available on request

Accessories

Various mounting plates are available for the installation on steel, fire protection and fire resistant doors. For further information see page 02.019.00.