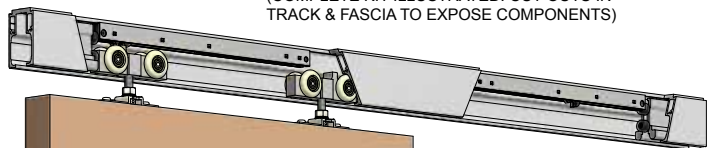


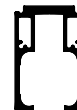
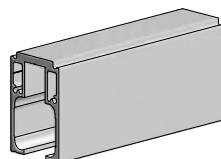
(COMPLETE KIT ILLUSTRATED. CUT-OUTS IN TRACK & FASCIA TO EXPOSE COMPONENTS)



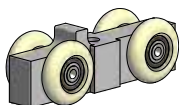
CROWDERTRACK'S CATCH'N'CLOSE™ SYSTEM

- PREVENTS BOUNCING AND SLAMMING OF SLIDING DOORS.
- CAN BE INSTALLED ON BOTH OPENING AND CLOSING ENDS OF DOORS AS NARROW AS 18" WIDE.
- CYCLE TESTED UP TO 50,000 TIMES
- UP TO 200LBS DOORS USING THE CC-993 WITH CC-2.

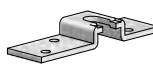
PARTS LIST (FOR STANDARD CC-993 1KIT)



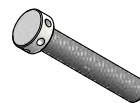
CC-904 TOP MOUNT TRACK X LENGTH (1)
(LENGTH = 2 X DOOR WIDTH, EXAMPLE:
36" [914MM] DOOR = 72" [1829MM] TRACK)



CC-993 HANGER BODY (2)
(C/W WHEELS)



C-993 TOP PLATE (2)



C-993 QUICK DISCONNECT STUD (2)



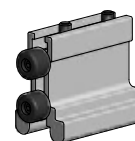
C-993 LOCK WASHER NUT (2)



ADJUSTMENT ROD (1)



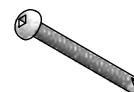
#10 X 1-1/2" PAN HEAD SCREWS (8)



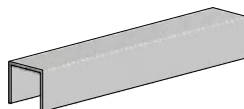
CC-101HD CATCH'N'CLOSE IN-TRACK STOPS (2)



CC-2 OR CC-3 CATCH'N'CLOSE CLOSING DEVICE (2)
(SEE DETAILS IN INSTRUCTION STEPS)



#10 X 1-1/2" SELF DRILLING SCREWS (4)



C-914 GUIDE CHANNEL X LENGTH (1)
(LENGTH = DOOR WIDTH, EXAMPLE:
36" [914MM] DOOR = 36" [914MM] GUIDE CHANNEL)

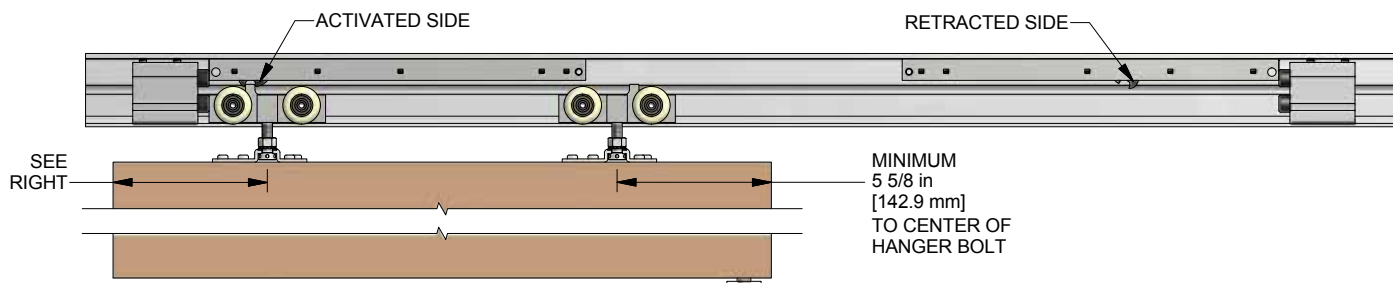


C-913 FLOOR GUIDE (1)



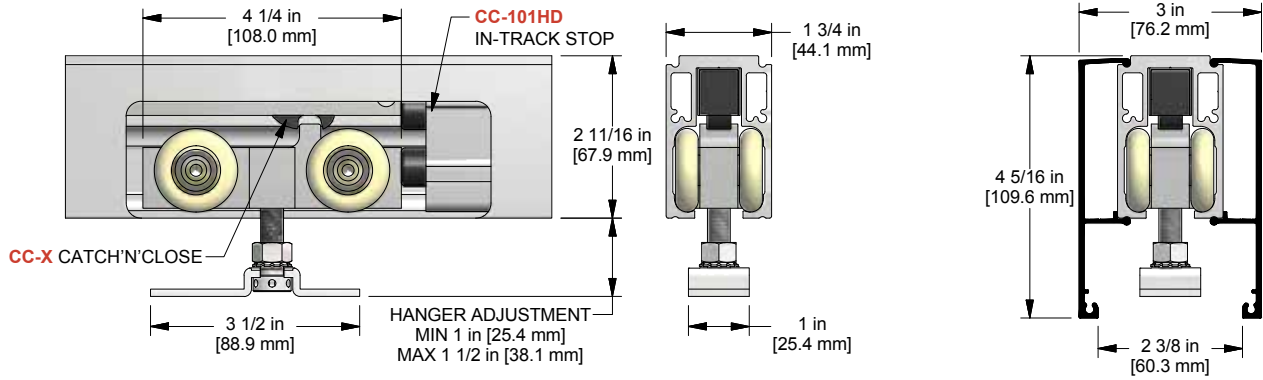
#10 X 1-3/4" FLATHEAD SCREWS (4)

ELEVATION VIEW OF COMPLETE INSTALLATION



CC-993 HANGER WITH CC-904 TRACK DETAIL

[OPTIONAL CC-940 SNAP-ON FASCIA ILLUSTRATED AS SOLID BLACK PROFILE. CAN BE USED ON BOTH SIDES OF THE TRACK OR ONE SIDE ONLY]



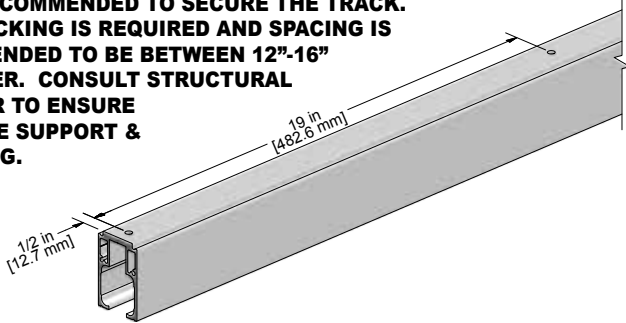
STEP #1:

DETERMINE DOOR SIZE, HEADER HEIGHT & TRACK POSITION BASED ON DIMENSIONS SHOW IN THE DETAIL VIEWS ABOVE AND CLEARANCE REQUIRED BELOW THE DOOR USING THE C-914/C-913 DIMENSION DETAILS.

STEP #2:

NOTE: IF ACCESS TO THE ENDS OF THE TRACK IS NOT AVAILABLE, STEPS #3&4 MUST BE COMPLETED BEFORE STEP #2.

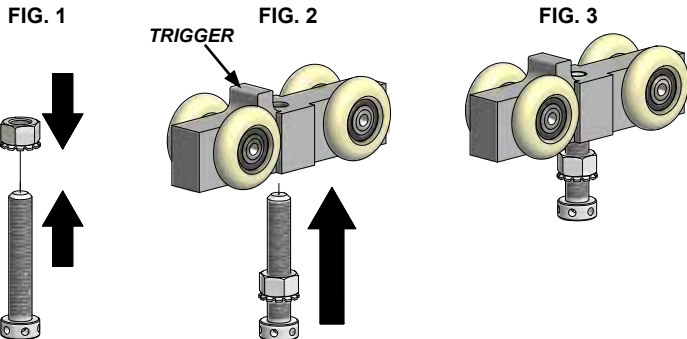
CUT CC-904 ALUMINUM TRACK TO SIZE IF REQUIRED (TYPICALLY 2 X THE DOOR WIDTH). LOCATE AND PRE-DRILL HOLES THROUGH THE CENTER OF THE TRACK FOR SECURING TO THE STRUCTURAL SUPPORT. SECURE TRACK TO STRUCTURAL SUPPORT/HEADER. **NOTE: STARTING HOLE LOCATIONS AT EACH END OF THE TRACK SHOULD BE 1/2" FROM END AND THEN 19" FROM THE FIRST HOLE. THIS WILL PREVENT INTERFERENCE WITH THE CATCH'N'CLOSE INSTALLATION (SEE ILLUSTRATION BELOW). MINIMUM #10 SCREWS OR 1/4" STRUCTURAL BOLTS RECOMMENDED TO SECURE THE TRACK. SOLID BACKING IS REQUIRED AND SPACING IS RECOMMENDED TO BE BETWEEN 12"-16" ON CENTER. CONSULT STRUCTURAL ENGINEER TO ENSURE ADEQUATE SUPPORT & FASTENING.**



STEP #3:

ASSEMBLE THE CC-993 CATCH'N'CLOSE HANGERS AS PER BELOW:

- FIG. 1 - THREAD C-993 LOCK WASHER NUT ONTO C-993 QUICK DISCONNECT STUD WITH LOCK WASHER FACING BOLT HEAD.
- FIG. 2 - THREAD C-993 QUICK DISCONNECT STUD INTO CC-993 CATCH'N'CLOSE HANGER BODY FROM THE UNDERSIDE (TRIGGER IS THE TOP OF THE HANGER BODY AS SHOWN).
- FIG. 3 - HANGER ASSEMBLY (2 X REQUIRED).

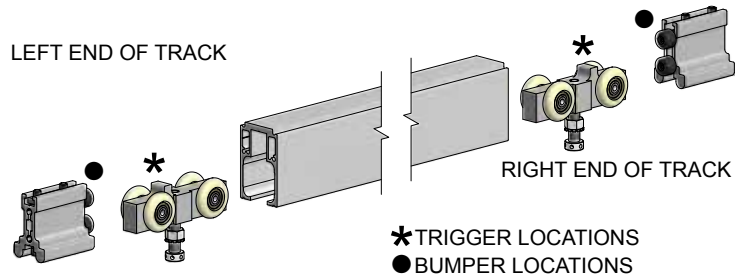


STEP #4:

SLIDE THE TWO CC-993 HANGER ASSEMBLIES (FIG.3 FROM STEP #3) INTO THE TRACK AS SHOWN BELOW. **NOTE: THE CC-993 HAVE TRIGGERS BUILT INTO THE HANGER. WHEN INSTALLING, THE TRIGGERS MUST BE ORIENTED AS SHOWN IN THE ILLUSTRATION BELOW * . THE TRIGGER MUST BE CLOSEST TO THE END OF THE TRACK.**

INSERT THE CC-101HD CATCH'N'CLOSE IN-TRACK STOPS AT EACH END AFTER THE HANGERS HAVE BEEN PLACED INTO THE TRACK.

NOTE: LEAVE THE STOP SCREWS LOOSE TO ALLOW THE STOPS TO SLIDE FREELY WITHIN THE TRACK. THE RUBBER BUMPERS OF EACH STOP SHOULD FACE INWARD (TOWARD THE MIDDLE OF THE TRACK ●).



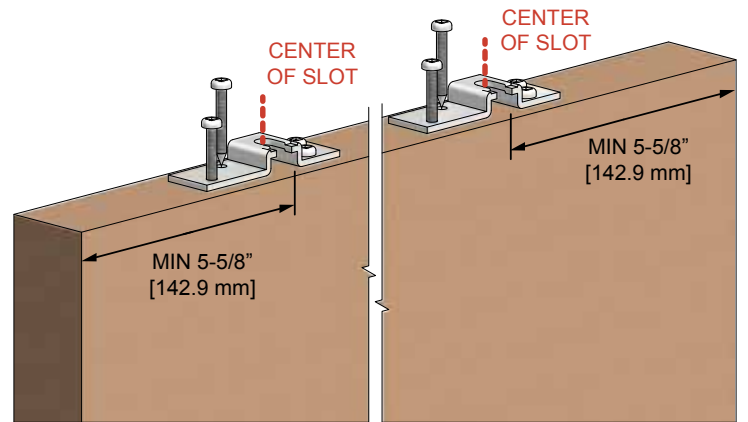
SEE FIGURE ABOVE FOR PROPER INSTALLATION.

!!!WARNING!!!

IF HANGER BODIES AND STOPS ARE NOT INSTALLED AS SHOWN ABOVE, SYSTEM WILL NOT FUNCTION PROPERLY.

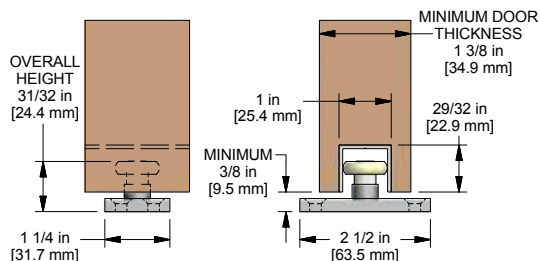
STEP #5:

LOCATE CENTER OF "U" SLOT (DASHED LINE SHOWN BELOW) ON C-993 TOP PLATE MINIMUM 5-5/8" [142.9 mm] FROM EACH EDGE OF DOOR. MARK SCREW HOLE LOCATIONS AND PRE-DRILL 1/8" [3.2 mm] DIAMETER HOLES AT LEAST 1-1/2" [38.1 mm] DEEP. MOUNT C-993 TOP PLATES ON DOOR AND SECURE WITH #10 X 1-1/2" PAN HEAD SCREWS (4 PER TOP PLATE). SEE ILLUSTRATION BELOW.



STEP #6:

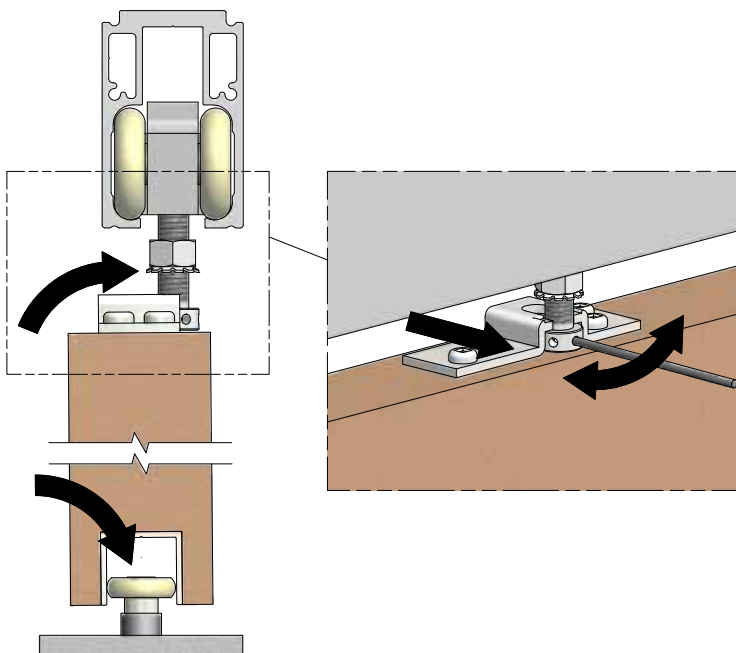
PREPARE BOTTOM OF DOOR FOR C-914 GUIDE CHANNEL & INSTALL. SEE C-913/C-914 INSTRUCTION SHEET OPTION #1 FOR FULL INSTALLATION DETAILS.

**STEP #7:**

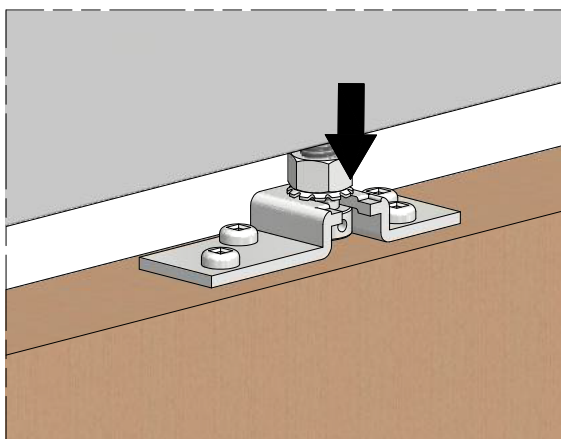
LOCATE AND INSTALL C-913 GUIDE ROLLER DIRECTLY BELOW TRACK, CENTER OF DOOR TRAVEL. PREPARE AND INSTALL OTHER OPTIONAL PRODUCTS AT THIS TIME SUCH AS CUP OR FLUSH PULLS, DOOR HANDLES, LOCKS, ETC.

STEP #8:

RAISE THE DOOR AND POSITION OVER THE C-913 GUIDE ROLLER AND UNDER THE HANGERS IN THE TRACK. LIFT THE DOOR UP AND ENGAGE TOP PLATE SLOTS WITH THE C-993 QUICK DISCONNECT BOLTS. ADJUST DOOR HEIGHT AND PLUMB WITH ADJUSTMENT ROD ON C-993 QUICK DISCONNECT BOLT HEAD (SMALL HOLES IN HEAD). SEE ILLUSTRATIONS BELOW.

**STEP #9:**

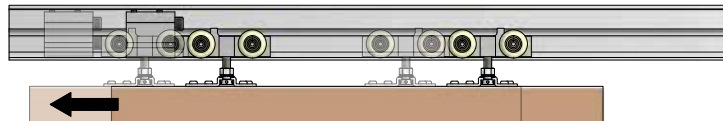
LOCK ADJUSTMENT BY TIGHTENING C-993 LOCK WASHER NUT AGAINST C-993 TOP PLATE WHILE USING THE ADJUSTMENT ROD TO PREVENT BOLT FROM TURNING.

**STEP #13:**

AFTER THE DOOR HAS BEEN INSTALLED, POSITION DOOR APPROXIMATELY 5-10" AWAY FROM THE FINAL POSITION AT ONE END (USING THE LEFT SIDE AS AN EXAMPLE TO SHOW THIS STEP). PUSH THE LOOSE LEFT SIDE CC-101HD STOP (INSTALLED IN STEP #4) AGAINST THE HANGER BODY AS SHOWN BELOW:

**STEP #14:**

WITH THE CC-101HD STOP LOOSE, SLIDE THE DOOR TO THE LEFT TO THE FINAL/DESIRED POSITION OF THE DOOR AS SHOWN BELOW:

**STEP #15:**

ONCE THE FINAL POSITION IS ACHIEVED, SLIDE THE DOOR AWAY FROM THE CC-101HD STOP (SLIDE TO THE RIGHT IN THIS EXAMPLE). LOCK THE STOP IN POSITION BY TIGHTENING THE TWO CAP SCREWS ON THE STOP WITH 3/16" ALLEN KEY (CC-101HD IS SECURED BY FRICTION FIT).

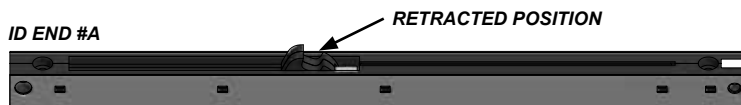
**STEP #16:**

REPEAT STEPS #13 THRU #15 FOR OPPOSITE SIDE. NOTE: RE-CHECK FINAL DOOR POSITIONS AGAINST THE SECURED CC-101HD STOPS BEFORE PROCEEDING TO STEP #17. RE-ADJUST IF REQUIRED.

STEP #17:

BEFORE INSTALLING THE CATCH'N'CLOSE DEVICE, PLEASE ENSURE IT IS IN THE RETRACTED POSITION. IF IT IS NOT IN THIS POSITION, SLIDE IT DOWN UNTIL IT LOCKS INTO THIS POSITION AS SHOWN BELOW.

NOTE: THIS WILL REQUIRE SIGNIFICANT FINGER PRESSURE.

**IMPORTANT CATCH'N'CLOSE CLOSING DEVICE NOTES:**

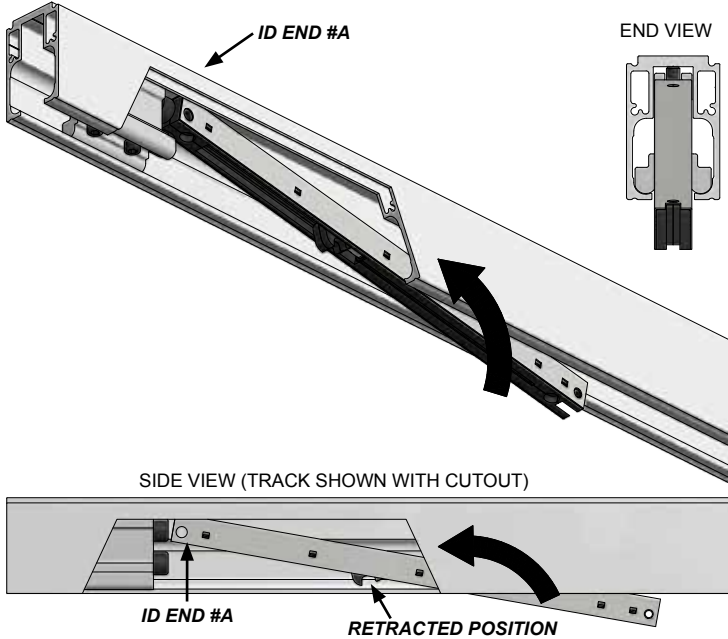
IF THE DOORS ARE 200LBS OR LESS, PLEASE ENSURE THE CC-2 CATCH'N'CLOSE CLOSING DEVICE IS BEING USED.

IF THE DOORS ARE MINIMUM 200LBS UP TO 300LBS, PLEASE ENSURE THE CC-810 ZERO CLEARANCE CATCH'N'CLOSE HANGER & CC-3 CATCH'N'CLOSE CLOSING DEVICE ARE BEING USED.

IF THE INCORRECT CATCH'N'CLOSE CLOSING DEVICE IS USED, THERE IS A HIGHER RISK OF FAILURE, NOT PROVIDING ENOUGH STRENGTH AND/OR TOO MUCH RESISTANCE IS EXPERIENCED WHEN OPERATING THE DOOR.

STEP #18:

INSTALL THE CATCH'N'CLOSE CLOSING DEVICE INTO THE TRACK WITH THE SOLID END (ID END #A SHOWN ON PREVIOUS PAGE) RESTING AGAINST THE TOP BUMPER ON THE CC-101HD STOPS INSTALLED PREVIOUSLY. **NOTE: ENSURE THAT THE FASTENERS SECURING TRACK TO HEADER ARE NOT PRESENT IN AREA WHERE THE CATCH'N'CLOSE CLOSING DEVICE IS TO BE INSTALLED. IF SO, REMOVE AND RELOCATE TO PROVIDE CLEAR MOUNTING AREA FOR DEVICE.** WHEN THE CATCH'N'CLOSE CLOSING DEVICE IS RESTING TIGHT AGAINST THE TOP BUMPER OF THE CC-101HD STOP, IT IS IN THE CORRECT POSITION AND WILL CLOSE THE DOOR TO THE DESIRED POSITION. SEE ILLUSTRATION BELOW:



STEP #19:

SECURE CATCH'N'CLOSE CLOSING DEVICE TO TRACK WITH #10 X 1-1/2" SELF DRILLING SCREWS. DO THE SAME FOR THE OPPOSITE END WITH THE CATCH'N'CLOSE CLOSING DEVICE INSTALLED IN REVERSE AS SHOWN ON THE FRONT PAGE IN THE "ELEVATION VIEW OF COMPLETE INSTALLATION" ILLUSTRATION.

NOTE: DO NOT USE IMPACT DRIVER TO SECURE CATCH'N'CLOSE CLOSING DEVICES TO THE TRACK. DO NOT OVERTIGHTEN SCREWS. TO EASE INSTALLATION, IT IS RECOMMENDED TO PRE-DRILL TRACK WITH 5/32" DRILL BIT. IT IS RECOMMENDED TO SECURE THE FIRST SCREW (CLOSEST TO THE CC-101HD STOP), TEST SYSTEM BY SLIDING THE DOOR TO ACTIVATE THE CATCH'N'CLOSE. IF IT IS IN THE CORRECT POSITION, SECURE WITH SECOND SCREW. REMOVE ANY DRILL FILLINGS FROM INSIDE THE TRACK AS THIS WILL AFFECT THE OPERATION OF THE SLIDING DOOR SYSTEM.



STEP #20:

TEST THE COMPLETE CATCH'N'CLOSE SYSTEM BY SLIDING THE DOOR TO BOTH LEFT AND RIGHT TO ACTIVATE THE CLOSING DEVICES.

TROUBLESHOOTING:

ISSUE: IF THE DOOR IS NOT ENGAGING THE CLOSING DEVICE.
SOLUTION: A) ENSURE HANGERS ARE CORRECTLY ORIENTED. SEE STEP #4. B) ENSURE THE CATCH'N'CLOSE IS IN THE RETRACTED POSITION PRIOR TO SLIDING THE DOOR CLOSED/OPEN. SEE STEP #17.

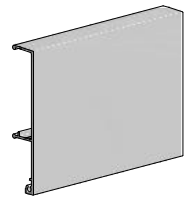
ISSUE: CHATTER/NOISE WHEN DOOR IS SLIDING.
SOLUTION: ENSURE THERE ARE NO ALUMINUM SHAVINGS WITHIN THE TRACK. SHAVINGS CAN BECOME EMBEDDED IN NYLON TIRES AND CAUSE NOISY OPERATION.

ISSUE: REPLACING THE CATCH'N'CLOSE DEVICE.
SOLUTION: THE CATCH'N'CLOSE TRACK AND HARDWARE SYSTEM HAS BEEN DESIGNED FOR EASY INSTALLATION. SIMPLY REMOVE THE TWO SCREWS THAT HOLD THE CATCH'N'CLOSE IN PLACE AND REPLACE THE DEVICE WITH A NEW ONE IF FAILURE OCCURS.

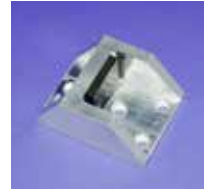
OPTIONAL PRODUCTS:



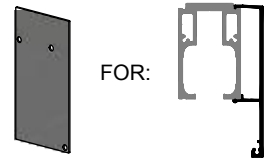
FOR:
CC-941 End Cap only
(For use with CC-904 Track only)



CC-940 Snap-On Fascia



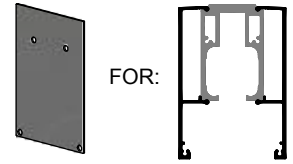
C-102HD Floor Stop



FOR:
CC-942 End Cap only
(For use with CC-904 Track & one (1) CC-940 Fascia combination only)



For Door Locks & Pulls,
see pages 72-75 in the
K.N. Crowder Sliding Door
Track & Hardware Catalogue



FOR:
CC-943 End Cap only
(For use with CC-904 Track & two (2) CC-940 Fascia combination only)

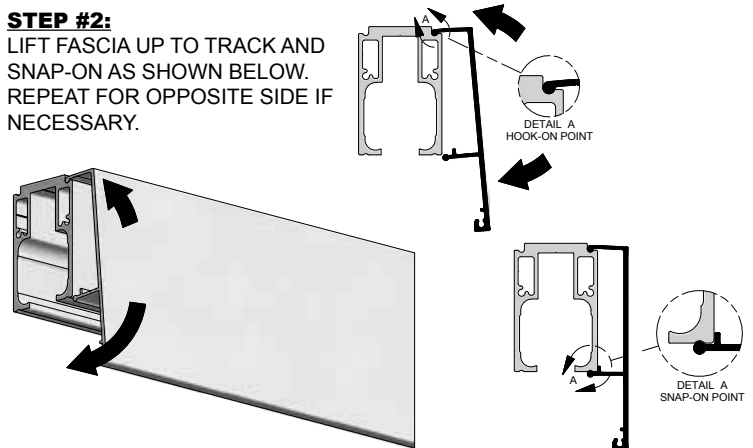
OPTIONAL CC-940 FASCIA & CC-942/CC-943 END CAP INSTALLATION

STEP #1:

CUT CC-940 FASCIA TO CORRECT LENGTH IF REQUIRED. TYPICALLY FASCIA IS SAME LENGTH AS TRACK PREVIOUSLY INSTALLED.

STEP #2:

LIFT FASCIA UP TO TRACK AND SNAP-ON AS SHOWN BELOW. REPEAT FOR OPPOSITE SIDE IF NECESSARY.

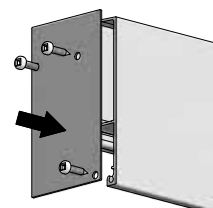


STEP #3:

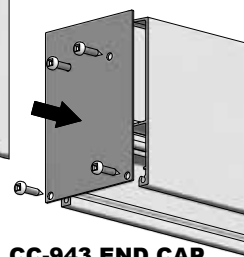
INSTALL CC-942 OR CC-943 END CAPS AS SHOWN TO THE RIGHT WITH THE SUPPLIED #8 SCREWS (3 OR 4 SCREWS PER END CAP PROVIDED). **NOTE: DO NOT INSTALL WITH IMPACT DRIVER**

OPTIONAL CC-941 END CAP

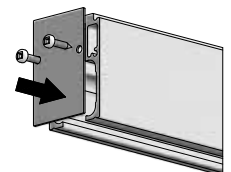
INSTALLATION: INSTALL CC-941 END CAP AS SHOWN TO THE BELOW WITH THE SUPPLIED #8 SCREWS (2 SCREWS PER END CAP PROVIDED). **NOTE: DO NOT INSTALL WITH IMPACT DRIVER**



CC-942 END CAP



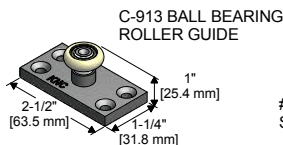
CC-943 END CAP



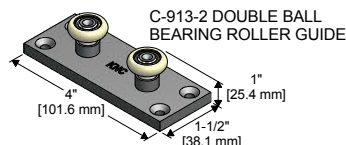
C-913/C-913-2/C-914 GUIDE SYSTEM INSTRUCTION SHEET



PARTS LIST



#10 X 1-1/2" FLATHEAD SCREWS (4 PER C-913)

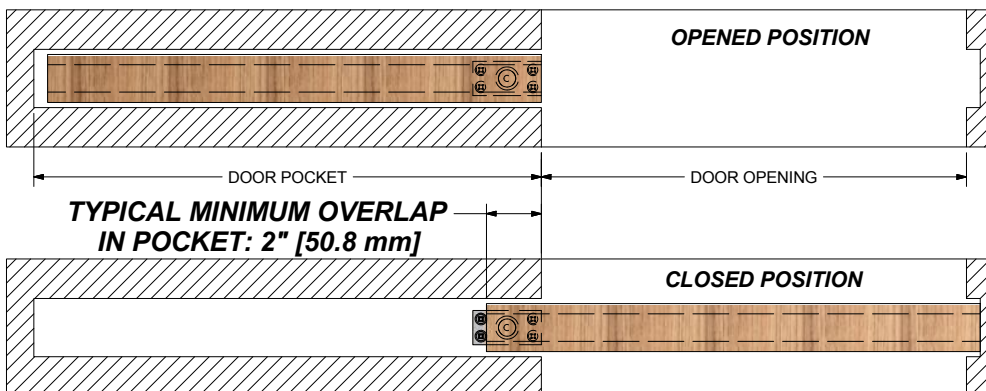


#10 X 1-1/2" FLATHEAD SCREWS (4 PER C-913-2)

new

TYPICAL INSTALLATION LOCATION FOR FLOOR GUIDES:

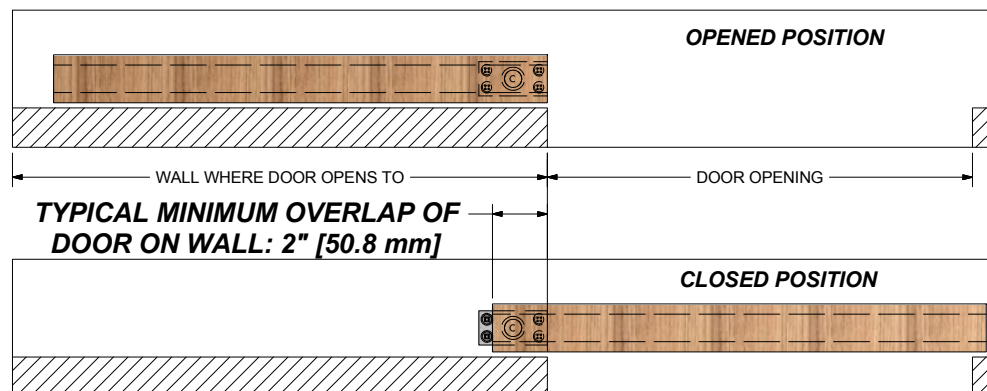
GUIDE CHANNEL IN DOOR WITH GUIDE ON FLOOR FOR POCKET APPLICATIONS



NOTE: IF USING THE C-913-2 GUIDE, THE TYPICAL MINIMUM OVERLAP IS 4" [101.6 mm]

TYPICAL INSTALLATION LOCATION FOR FLOOR GUIDES:

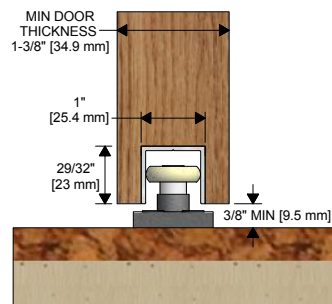
GUIDE CHANNEL IN DOOR WITH GUIDE ON FLOOR FOR BARN DOOR APPLICATIONS



NOTE: IF USING THE C-913-2 GUIDE, THE TYPICAL MINIMUM OVERLAP IS 4" [101.6 mm]

OPTION 1:

GUIDE CHANNEL IN DOOR WITH GUIDE ON FLOOR



STEP 1

CUT C-914 ALUMINUM GUIDE CHANNEL TO CORRECT LENGTH IF REQUIRED (TYPICALLY, LENGTH EQUALS DOOR WIDTH. EXAMPLE: DOOR WIDTH IS 36" THEREFORE CHANNEL IS 36".)

STEP 2

PREPARE SLOT IN DOOR AT LEAST 1" [25.4 mm] WIDE IN CENTER OF DOOR, AND AT LEAST 29/32" [23 mm] DEEP. IT IS RECOMMENDED TO MAKE THE SLOT AS ACCURATE AS POSSIBLE FOR SECURE FIT AND NEAT APPEARANCE.

STEP 3

DRILL HOLES IN C-914 CHANNEL, AND PRE-DRILL HOLES IN DOOR. SCREW CHANNEL INTO PLACE WHILE KEEPING IT FLUSH WITH THE EDGE OF THE DOOR. (#8 SCREW SIZE RECOMMENDED)

STEP 4

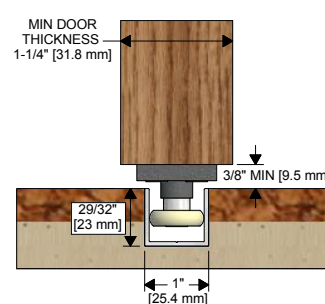
LOCATE C-913 (OR C-913-2) ROLLER GUIDE AS REQUIRED AND SECURE TO FLOOR WITH #10 X 1-1/2" FLATHEAD SCREWS (4).

STEP 5

CONTINUE WITH PROJECT BY INSTALLING HANGERS AND PLACING DOOR IN POSITION.

OPTION 2:

GUIDE CHANNEL IN FLOOR WITH GUIDE ON DOOR



STEP 1

CUT C-914 ALUMINUM GUIDE CHANNEL TO CORRECT LENGTH IF REQUIRED.

STEP 2

PREPARE SLOT IN FLOOR SAME SIZE AS INDICATED ABOVE IN STEP 2. GUIDE CHANNEL SHOULD BE FLUSH WITH FINISHED FLOOR.

STEP 3

DRILL HOLES IN C-914 CHANNEL, AND PRE-DRILL HOLES IN FLOOR. SCREW CHANNEL INTO PLACE. (#8 SCREW SIZE RECOMMENDED)

STEP 4

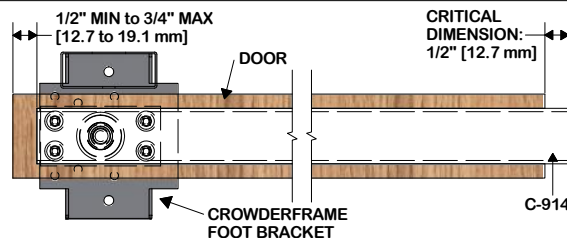
LOCATE C-913 (OR C-913-2) ROLLER GUIDE 1" FROM EACH EDGE OF DOOR. SECURE TO DOOR WITH #10 X 1-1/2" FLATHEAD SCREWS (4).

STEP 5

CONTINUE WITH PROJECT BY INSTALLING HANGERS AND PLACING DOOR IN POSITION.

CROWDERFRAME APPLICATION:

WHEN USING A C-913/914 GUIDE SYSTEM WITH THE CROWDERFRAME POCKET DOOR KIT PLEASE REFER TO INSTRUCTIONS TO THE RIGHT



NOTES:

DUE TO THE LOCATION OF THE HOLES FOR THE C-913 ROLLER GUIDE ON THE POCKET DOOR FOOT BRACKETS, THE C-914 CHANNEL MUST EXTEND BEYOND THE BACK EDGE OF THE DOOR (INSIDE POCKET). THIS DISTANCE CAN BE NO GREATER OR LESS THAN 1/2" IN ORDER FOR THE CHANNEL TO CATCH THE ROLLER WHEN FULLY CLOSED. IN THIS CASE YOU CAN STOP THE SLOT FOR THE C-914 CHANNEL 1/2" MIN TO 3/4" MAX FROM THE FRONT EDGE OF THE DOOR THUS HIDING THE CHANNEL. IT MAY BE NECESSARY TO CUT THE CHANNEL TO SUIT THIS APPLICATION. SEE ILLUSTRATION FOR MORE DETAILS.



K.N. CROWDER MFG. INC.

1220 BURLOAK DRIVE
BURLINGTON, ONTARIO, CANADA, L7L 6B3
TELEPHONE: 905-315-9788 - TOLL FREE PHONE: 1-866-999-1KNC (1562)
FAX: 905-315-8090 - TOLL FREE FAX: 1-800-567-0123

WEBSITE: www.kncrowder.com -- E-MAIL: customerservice@kncrowder.com

K.N. CROWDER INC.

210 EIGHTH STREET SOUTH
LEWISTON, NEW YORK, U.S.A. 14092
TELEPHONE: 1-716-754-8247
TOLL FREE FAX: 1-800-567-0123