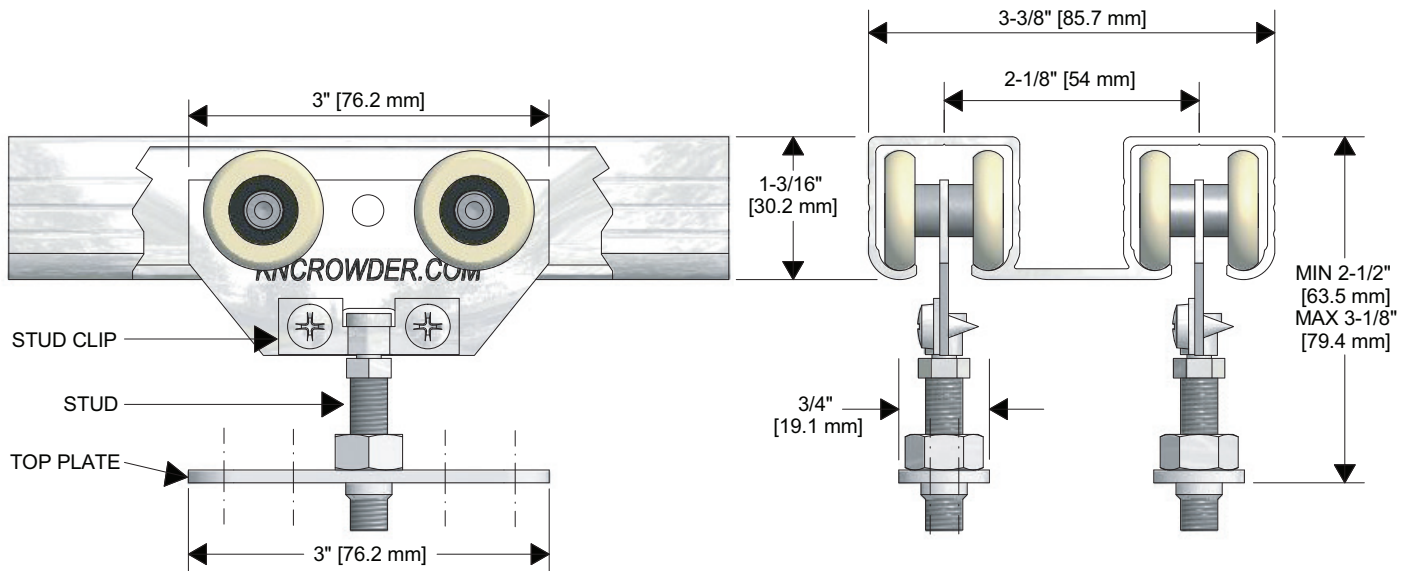


C-500



KEY FEATURES:

- Top mount hanger (**C-500**)
- For 1-3/4" [44.5mm] thick By-passing doors
- Vertical adjustment by threaded door top plate and locknut
- Four Precision Ground Ball Bearing, Nylon Tire Wheels.
- Ideal for mirror covered and solid core doors.
- Use with Extruded Aluminum **C-500** Track, 6063T5 Alloy
- Load Capacity **125lbs. (two hangers)**



Part Number:		Part Description:	
Customer Name:	Job Number/Name:	Date:	Provided By:
Notes:			