



B500 Series Deadbolt

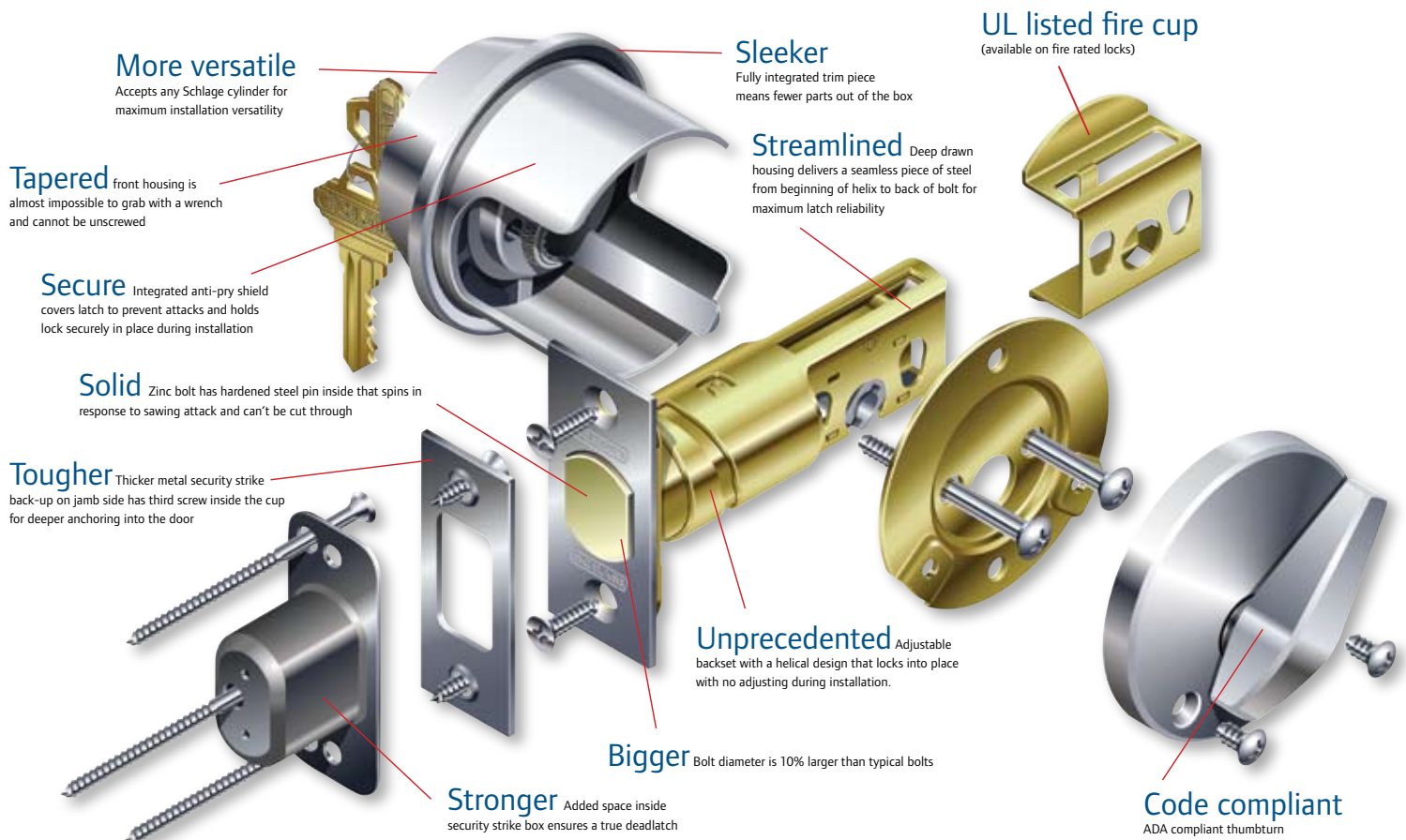
Commercial Deadbolts

The best deadbolt ever designed by you.

Introducing the B500 Series deadbolt from Schlage, a revolutionary new deadbolt that delivers higher security, tougher performance and the ultimate in installation versatility. Designed by locksmiths for locksmiths, the B500 Series deadbolt can be fitted with any Schlage cylinder, fits virtually every door you service, enhances lock strength on the jamb side of the door, and will change forever the way you look at deadbolts.



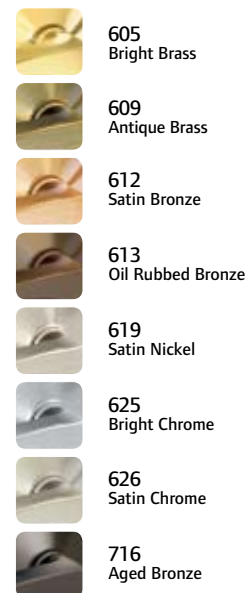
Designed by locksmiths for locksmiths.



No other deadbolt comes close.

- Adjustable backset with lock-in-place helix design
- Integrated anti-pry shield behind latch
- Thicker metal security strike back-up on jamb side
- Security strike on jamb has third screw for deeper anchoring
- Added space inside strike box for true deadlatch
- Seamless steel construction from beginning of helix to back of bolt
- 10% larger diameter deadbolt
- Zinc bolt with spinning hardened steel pin inside
- Tapered front housing that can't be unscrewed
- Integrated trim piece for fewer pieces out of the box
- ADA compliant thumbturn
- Accepts any Schlage cylinder

Available Finishes



To find out more visit us online at Schlage.com

IR Ingersoll Rand
Security Technologies