

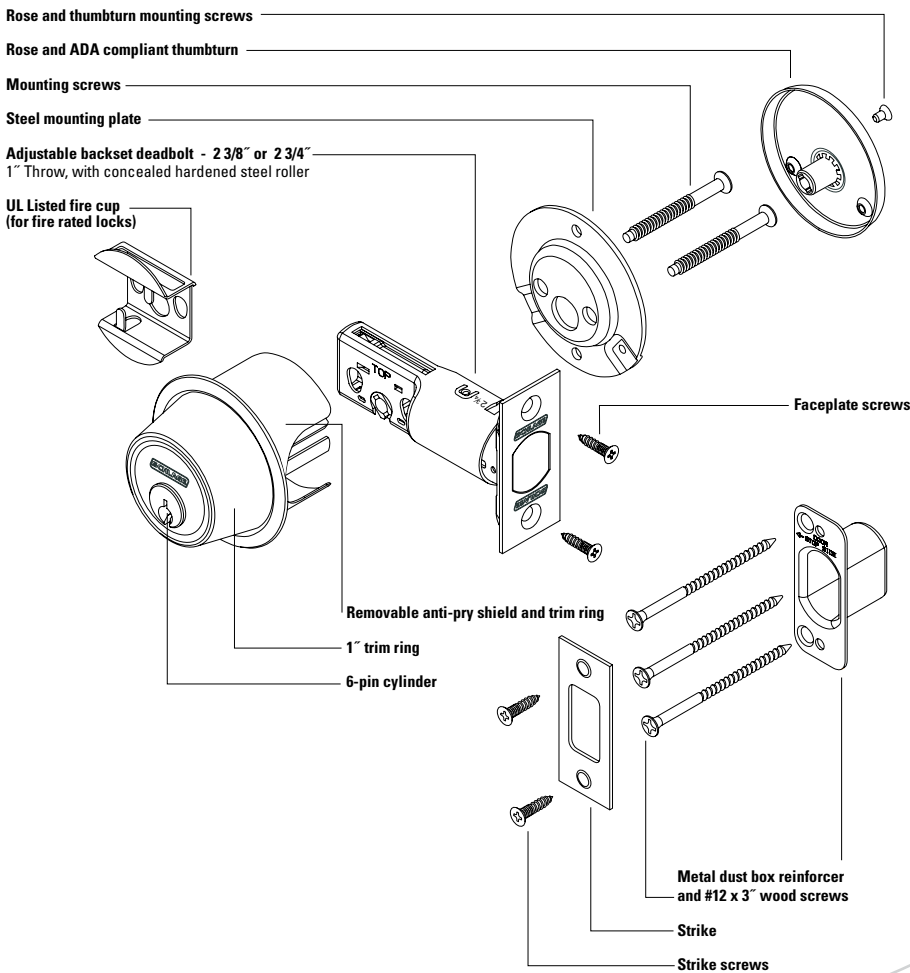


B500 Series Deadbolt

The B500 Series deadbolt from Schlage is the toughest, most versatile deadbolt in the business. Designed by locksmiths for locksmiths, the B500 Series deadbolt accepts every Schlage cylinder on the market, fits virtually every door you service, enhances lock strength on the jamb side of the door, and will change forever the way you look at deadbolts.



B500 Specifications



Benefits

- Quick, easy installation
- Adjustable backset locks into place
- Anti-pry shield protects latch from attacks
- Metal dust box provides deep anchoring and added strength

Applications

- Primary or auxiliary locking for commercial buildings
- High security locking for residential buildings
- Can be suited with virtually all Schlage levers and knobs

Applications: Auxiliary and primary locking for commercial and residential buildings. B500 Series locks are designed to meet various security door preparations and functional requirements determined by local codes and life safety regulations.

Certifications: ANSI A156.5, 2001, Grade 2. Available UL Listed for three-hour fire door.

Exposed Trim: Wrought brass or bronze, reinforced with steel security insert.

Keying: 6-pin tumbler standard with two keys per lock. Stock locks are keyed 5- or 6-pin. Other keying options for B500 Series available from the factory include master keying, grand master keying and construction keying.

Door range: 1-3/8" to 1-3/4" thick (35 mm to 44 mm) standard. Available for over 1-3/4" to 2-1/4" and over 2-1/4" to 4" assembled to order.

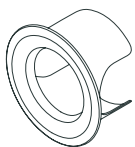
Backset: 2-3/8" (60 mm) or 2-3/4" (70 mm) adjustable backset standard. 5" fixed set also available.

Deadbolts and Strikes: B500 Series deadbolts and strikes have brass bronze or steel faceplates, furnished in compatible lock trim finishes.

Deadbolts: 1" x 2-1/4" (25 mm x 57 mm) square corner. 1" (25 mm) throw standard. Circular drive-in, round corner, 1-1/8" square corner, and Triple Option deadbolts also available.

Strikes: Square corner 1-1/8" x 2-3/4" (29 mm x 70 mm) strike, no lip, furnished with metal dust box standard. ANSI 1-1/4" x 4-7/8" with 1-3/16" (30 mm) lip, drive-in and full lip strikes also available.

Adapter Rings: Trim ring with anti-pry shield standard, 2-1/2" (63 mm) outer diameter. Removable to fit 1-1/2" crossbore door preps.



B520-649 (for B560 and B562)
B520-650 (for interchangeable cores)

Finishes:



605
Bright Brass



609
Antique Brass



612
Satin Bronze



613
Oil Rubbed
Bronze



619
Satin Nickel



625
Bright Chrome



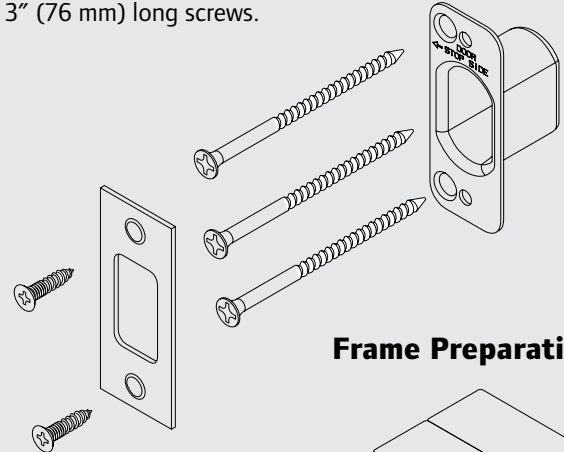
626
Satin Chrome



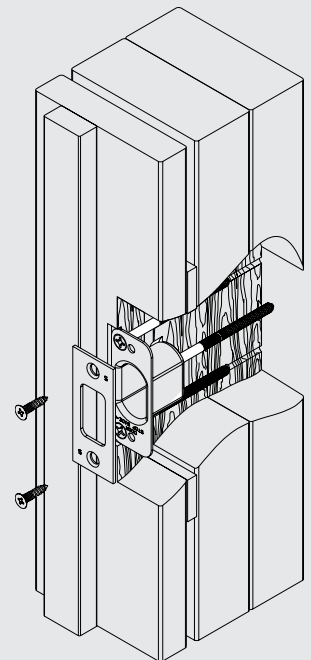
716
Aged Bronze

Door Frame Reinforcer

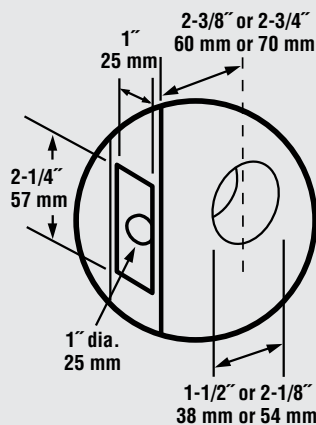
All B500 Series deadbolt locks are furnished standard with the metal dust box reinforcer. This unit significantly strengthens a wood jamb against "kick-in" attack and greatly increases the security effectiveness of the lock. The reinforcer is concealed under the strike and is deeply anchored to the jamb with three 3" (76 mm) long screws.



Frame Preparation



Door Preparation



B-500 Series Functions:

- B560 - Single Cylinder Deadbolt Lock
- B561 - One-Way Deadbolt Lock
- B562 - Double Cylinder Deadbolt Lock
- B563 - Classroom Deadbolt Lock
- B571 - Door Bolt Occupancy Indicator
- B580 - Door Bolt (no outside trim)
- B581 - Door Bolt (with outside blank plate)

