

B-Series

Installation Instructions

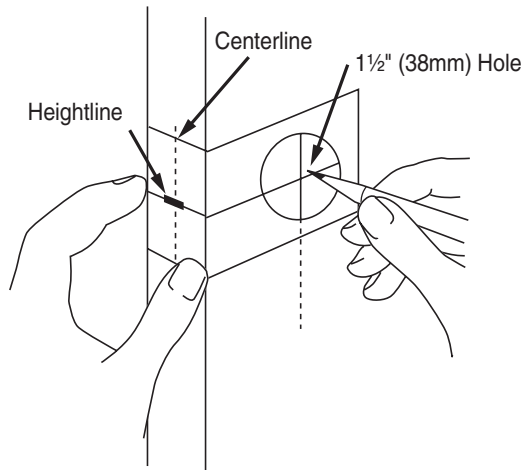
B252PD B462P Double Cylinder Locks

CAUTION: This lock is operated by key only and may hinder emergency exit.

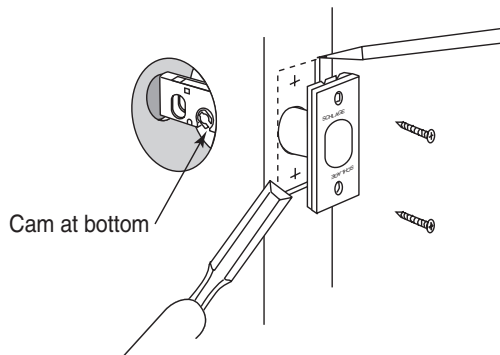
1

Mark door

Position centerline of template on heightline and mark center for 1½" (38mm) hole. Mark center of door thickness for latch hole.



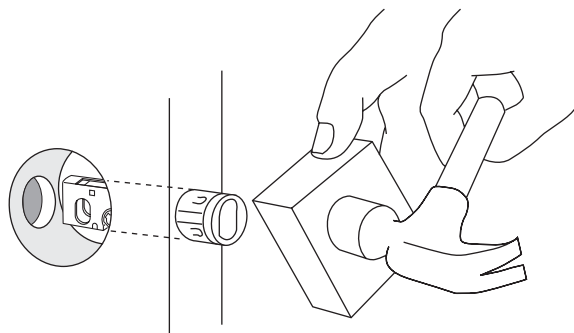
B. Line up and trace around faceplate for cutout. Remove deadbolt. Use chisel to remove wood until faceplate fits flush when bolt is fully inserted. Fasten to door with screws.



EXTEND BOLT. Use screwdriver to extend bolt. Bolt must be extended before proceeding.

C. (For Circular Deadbolts only)

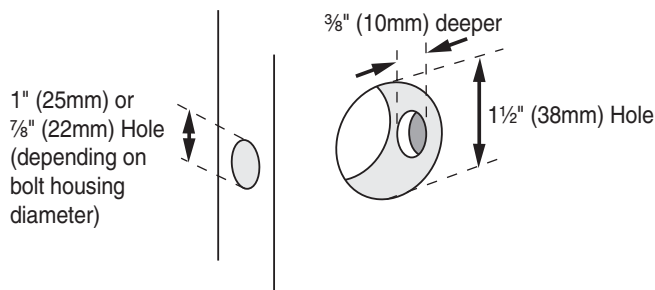
Insert deadbolt into hole as far as it will go. (Bolt must be retracted, as shown.) Place wooden block against bolt. Tap block with hammer or mallet until faceplate is flush with door edge.



2

Drill (2) holes

Drill a 1½" (38mm) hole thru door face (from both sides to avoid damaging wood). Drill a 1" (25mm) or 7⁄8" (22mm) hole (depending on bolt housing diameter) in door edge. Drill 3⁄8" (10mm) deeper as illustrated.



NOTE: Hollow metal doors must be properly reinforced for latch support. If door reinforcement is not furnished, contact door manufacturer, or use Schlage reinforcer #37-001 (specify door thickness).

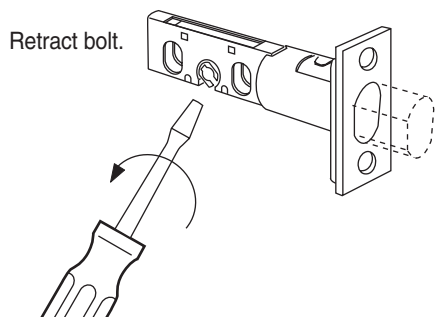
3

Install deadbolt

(See Step 4 for B252PD)

B462P Deadbolt

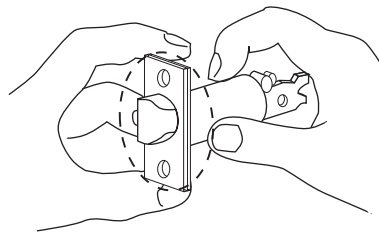
A. With deadbolt retracted (to retract bolt use provided driver bar or screwdriver to rotate cam), insert deadbolt into hole in edge of door.



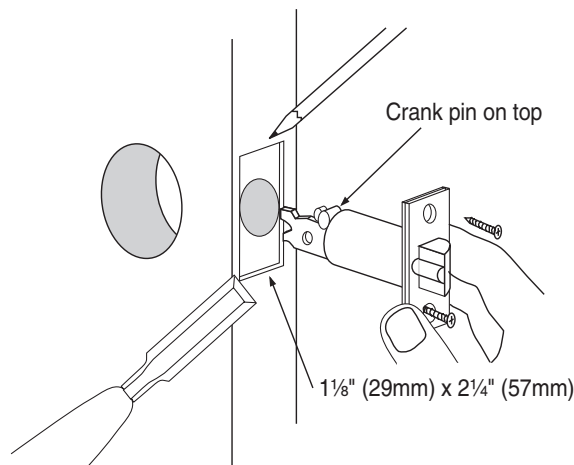
Install deadbolt

B252PD Deadlatch

A. Rotate faceplate (if necessary) to adjust latch so that bolt will face door jamb.



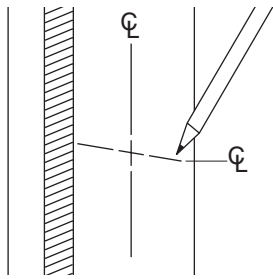
B. Insert latch into hole. Line up and trace around faceplate for cutout. Remove latch and use chisel to remove wood until faceplate fits flush when latch is fully inserted. Fasten to door with screws.



5

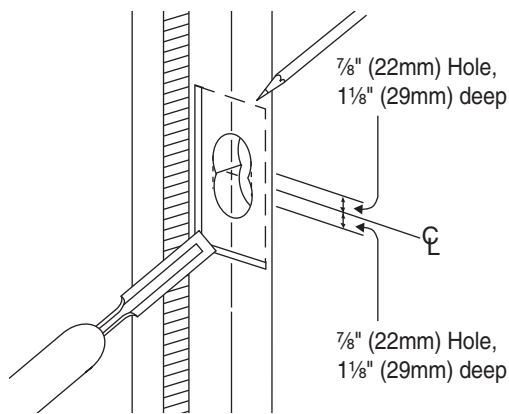
Prepare door jamb

Locate exact centerline of latchbolt and mark centerline on door jamb.

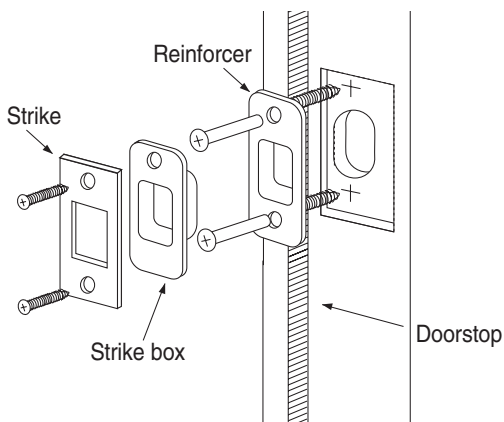


Strike for B462P Deadbolt

A. Mark drill points above and below horizontal centerline. Drill (2) overlapping $\frac{7}{8}$ " (22mm) holes, $1\frac{1}{8}$ " (29mm) deep. Clean out holes for strike box. Place strike box in hole. Place strike over strike box and trace for cutout. Chisel $\frac{1}{4}$ " (6mm) deep for flush fit of reinforcer, strike box, and strike.

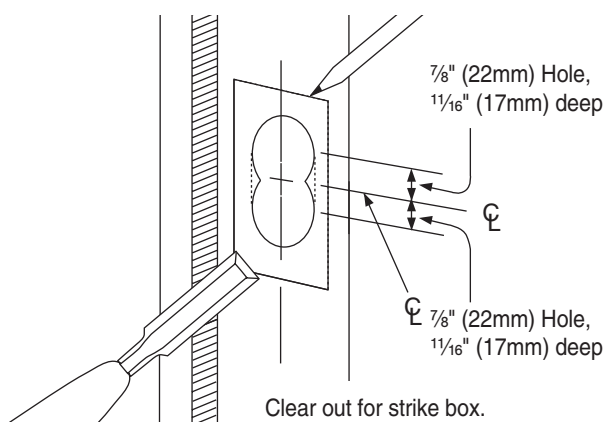


B. Place reinforcer screw holes toward door stop. Mark and drill $\frac{3}{16}$ " (5mm) pilot holes for 3" (76mm) wood screws. Install reinforcer, strike box, and strike. (Bolt must fit fully into strike without binding.)



Strike for B252PD Deadlatch

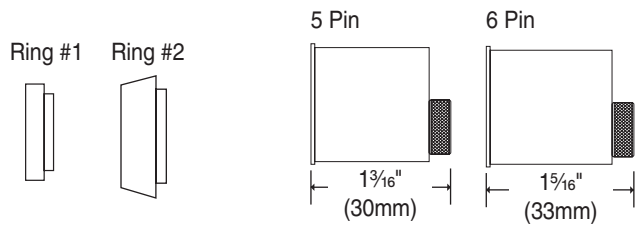
Mark drill points $\frac{1}{4}$ " (6mm) above and below horizontal centerline. Drill (2) overlapping $\frac{7}{8}$ " (22mm) holes, $1\frac{1}{16}$ " (17mm) deep. Clean out holes for strike box. Use strike as pattern for cutout. $\frac{1}{4}$ " (6mm) deep. Install strike box and strike with provided screws.



6

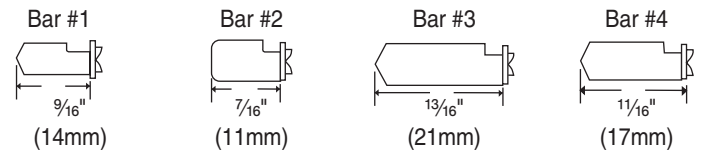
Select rings and driver bars

Use chart to choose trim rings, inserts, and driver bars used for door thickness adjustment.



Door Thickness	Use	5 Pin Cylinder	6 Pin Cylinder
1 $\frac{3}{8}$ " (35mm)	Rings	#1 and #2	#1* and #2
	Bars	#1	#3
1 $\frac{3}{4}$ " (44mm)	Rings	#2	#1 and #2
	Bars	#2	#4

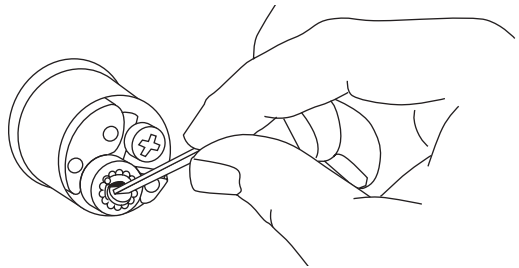
*Use (2) extra #1 rings for 6 pin cylinders on 1 $\frac{3}{8}$ " (35mm) doors.



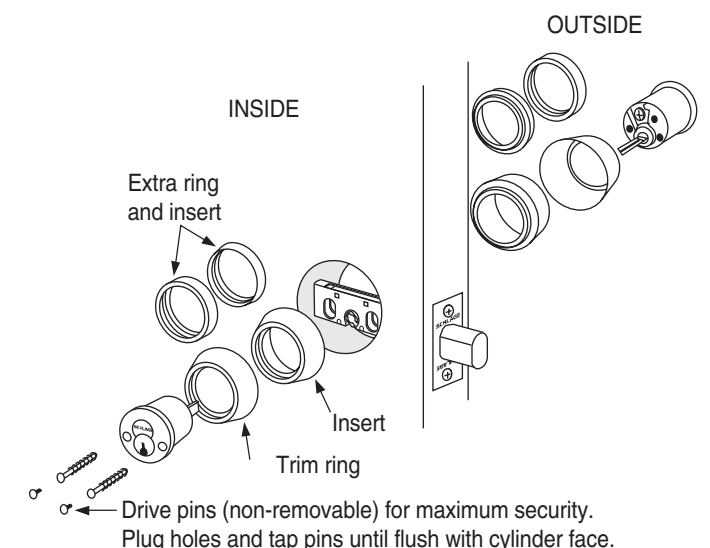
7

Install cylinders

A. Tip driver bar into cylinder opening and rotate vertically.



B. With key removed, insert cylinders into ring(s) and guide cylinder bars into cam on deadbolt. Make sure that bars are engaged in cam vertically. Insert mounting screws through inside cylinder and tighten evenly. Tap in drive screws.



Parts contained in package

- 2-Keys
- 1-Inside cylinder
- 1-Outside cylinder
- 2- $\frac{7}{16}$ " (11mm) rings & hardened steel inserts
- 2- $\frac{1}{8}$ " (3mm) rings & hardened steel inserts
- 2 sets-Driver bars
- 1-Deadlatch (B252PD) or 1-Deadbolt (B462P)
- 2-Mounting screws (cylinders)
- 2-Drive screws
- 1-Strike
- 1-Strike box
- 1-Strike reinforcement (B462P only)
- 2-3" (76mm) mounting screws (reinforcer)
- 4-Mounting screws, latch and strike

©2000 Schlage Lock Company
Printed in USA

P513-173

Rev 03/00

INGERSOLL-RAND
ARCHITECTURAL HARDWARE