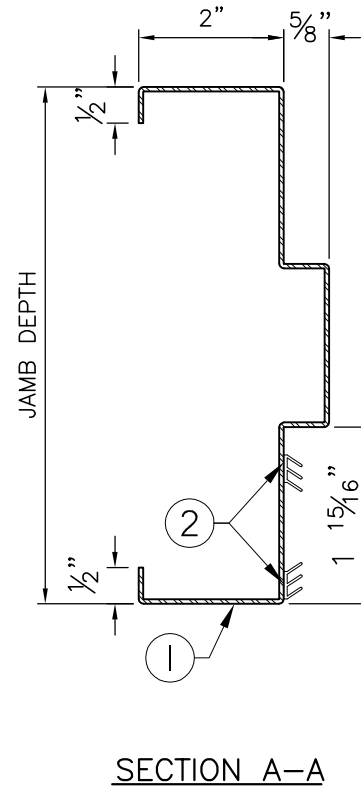
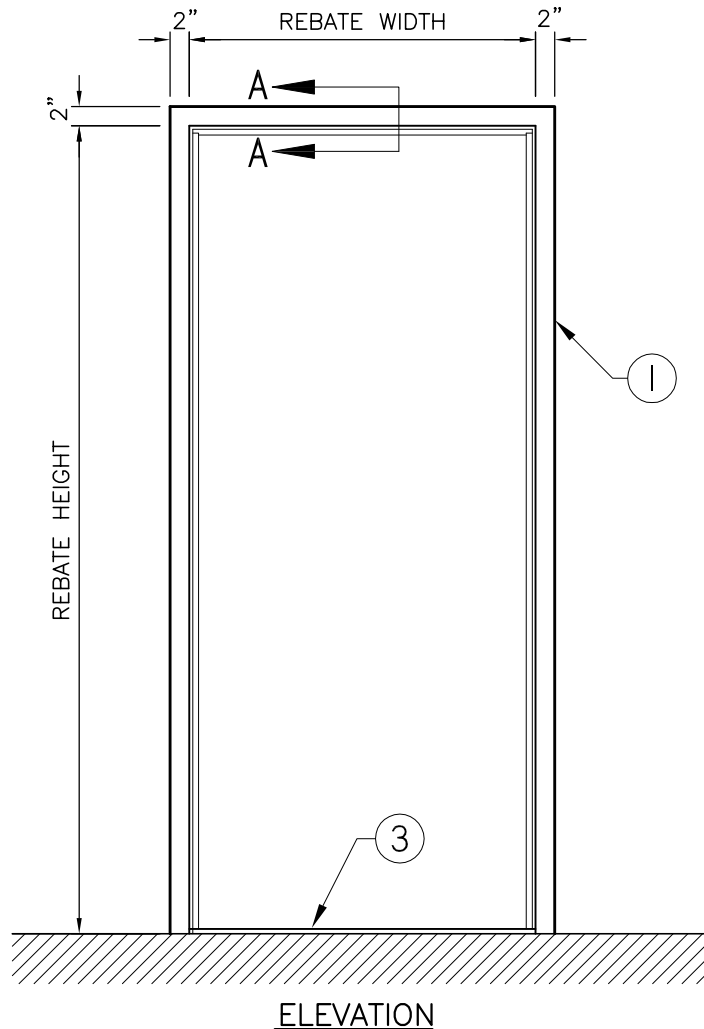


LEGEND :

1. PRESSED STEEL ACOUSTIC FRAME.
2. ACOUSTIC PERIMETER SEAL TO BE FITTED AND FASTENED TO JAMBS AND HEAD BY INSTALLER ON SITE.
3. ¼" HIGH FLAT ACOUSTIC THRESHOLD 5" WIDTH, TO BE INSTALLED ON FINISHED FLOOR.

STOCK ACOUSTIC FRAMES FOR SINGLE OPENINGS. AVAILABLE IN STC-33 THROUGH STC 51. STOCK FRAME SIZE IS 3'-0"x7'-0" TO FIT 1-3/4" DOOR, WITH A JAMB DEPTH OF 5-7/8" OR 7-1/8" ONLY. FRAME IS TEMPLATED FOR 4.5"x.180" MORTISED HINGES, AND REINFORCED FOR SURFACE CLOSER AND SURFACE BOLTS. COMPLETE DOOR AND FRAME UNITS ARE SUPPLIED WITH ACOUSTIC PERIMETER SEALS, DOOR BOTTOMS, & THRESHOLD. OPTIONS AVAILABLE: FIRE RATINGS UP TO 1½ HOUR, AND SOME ADDITIONAL HARDWARE PREPARATIONS. (CONSULT FACTORY)

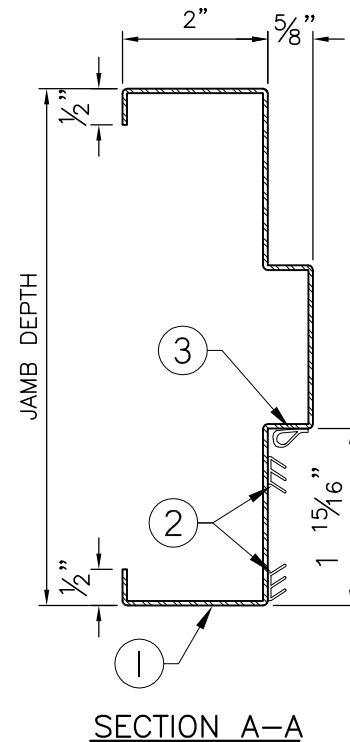
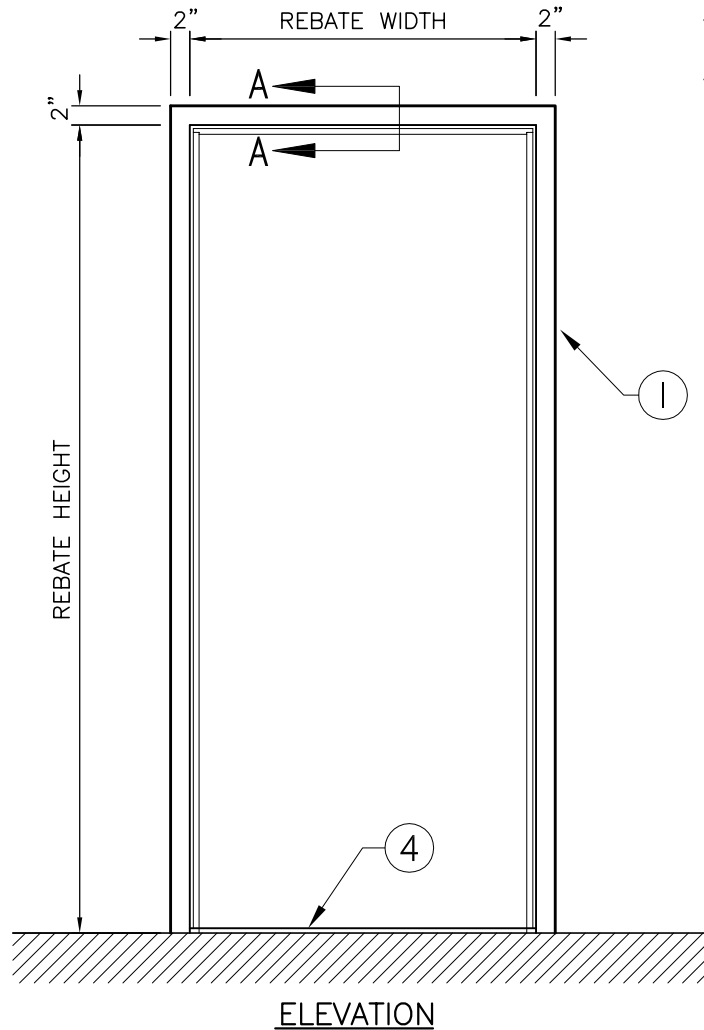


NOTE:
 FRAME MUST BE INSTALLED AT FINISHED FLOOR HEIGHT.
 (DO NOT EMBED IN FLOOR)

LEGEND:

1. PRESSED STEEL ACOUSTIC FRAME.
2. ACOUSTIC PERIMETER SEAL TO BE FITTED AND FASTENED TO JAMBS AND HEAD BY INSTALLER ON SITE.
3. ACOUSTIC PERIMETER BULB SEAL TO BE FITTED AND FASTENED TO JAMBS AND HEAD BY INSTALLER ON SITE.
4. 1/4" HIGH FLAT ACOUSTIC THRESHOLD 5" WIDTH, TO BE INSTALLED ON FINISHED FLOOR.

STOCK ACOUSTIC FRAMES FOR PAIRED OPENINGS. AVAILABLE IN STC-33 THROUGH STC 51. STOCK FRAME SIZE IS 6'-0"x7'-0" TO FIT 1-3/4" DOOR, WITH A JAMB DEPTH OF 5-7/8" OR 7-1/8" ONLY. FRAME IS TEMPLATED FOR 4.5"x.180" MORTISED HINGES, AND REINFORCED FOR SURFACE CLOSER AND SURFACE BOLTS. COMPLETE DOOR AND FRAME UNITS ARE SUPPLIED WITH ACOUSTIC PERIMETER SEALS, DOOR BOTTOMS, THRESHOLD & ASTRAGAL (ON ACTIVE) OPTIONS AVAILABLE: FIRE RATINGS UP TO 1 1/2 HOUR, AND SOME ADDITIONAL HARDWARE PREPARATIONS. (CONSULT FACTORY)

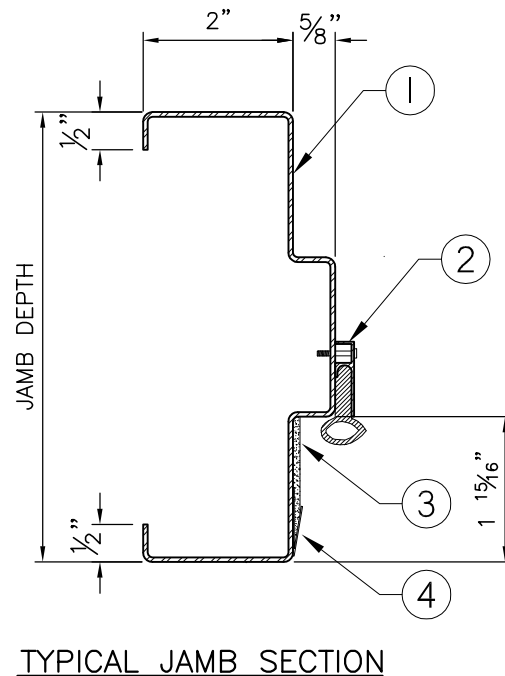
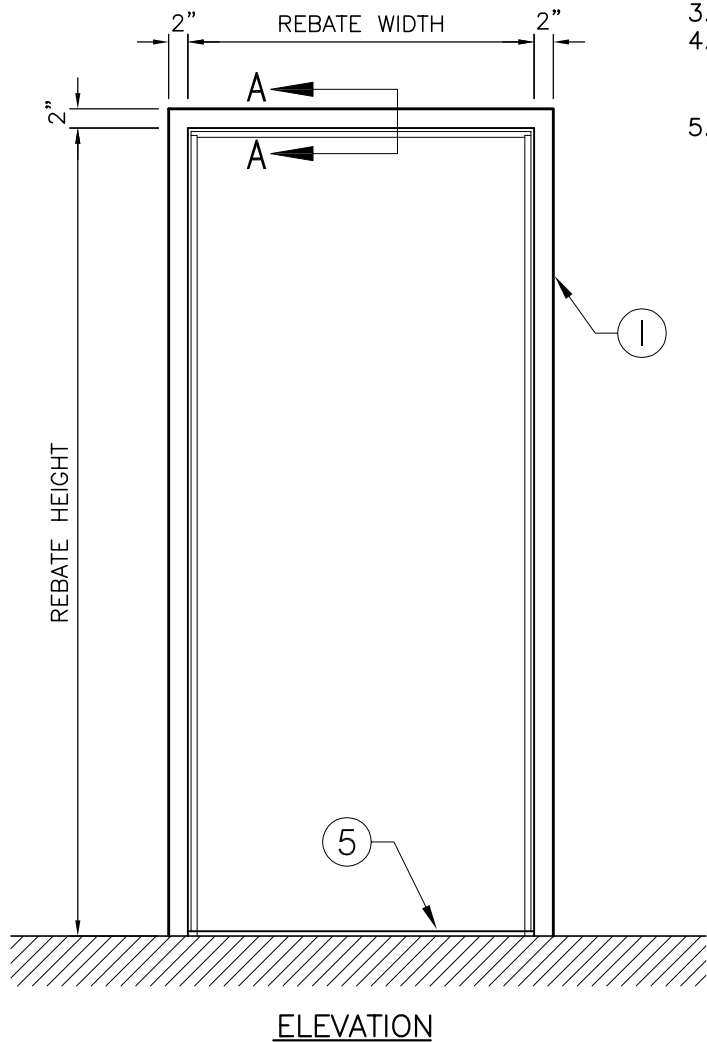


NOTE:
 FRAME MUST BE INSTALLED AT FINISHED FLOOR HEIGHT.
 (DO NOT EMBED IN FLOOR)

LEGEND:

1. PRESSED STEEL ACOUSTIC FRAME.
2. ACOUSTIC PERIMETER SEAL TO BE FITTED AND FASTENED TO JAMBS, MULLION, AND HEAD BY INSTALLER ON SITE.
3. ACOUSTIC NEOPRENE AT HEADER ONLY.
4. SECONDARY PERIMETER ACOUSTIC SEAL FOR STC 39 THROUGH STC 52 TO BE FITTED AND FASTENED TO JAMBS AND HEAD BY INSTALLER ON SITE.
5. ¼" HIGH FLAT ACOUSTIC THRESHOLD 5" WIDTH, TO BE INSTALLED ON FINISHED FLOOR.

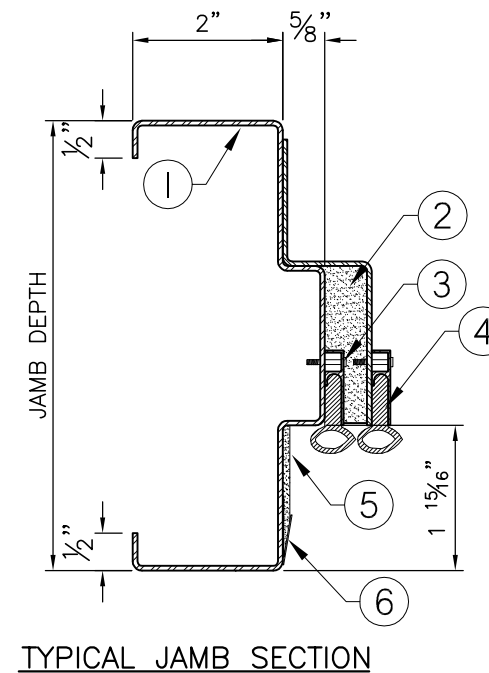
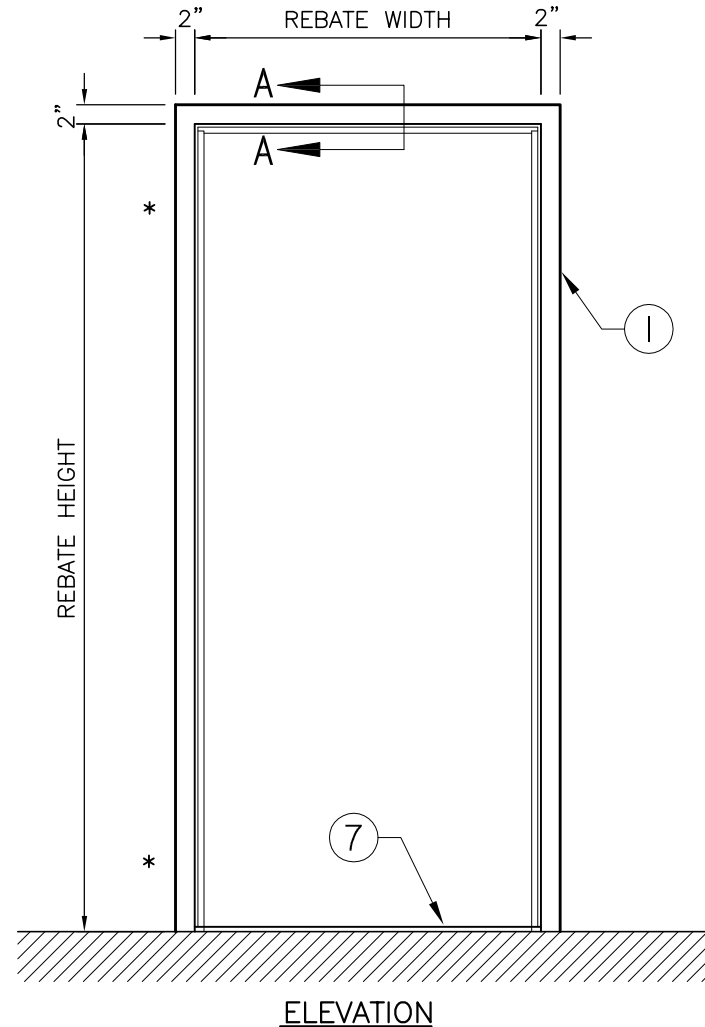
STOCK ACOUSTIC FRAMES FOR PAIRED OPENINGS. AVAILABLE IN STC-33 THROUGH STC 51. STOCK FRAME SIZE IS 6'-0"x7'-0" TO FIT 1-3/4" DOOR, WITH A JAMB DEPTH OF 5-7/8" OR 7-1/8" ONLY. FRAME IS TEMPLATED FOR 4.5"x.180" MORTISED HINGES, AND REINFORCED FOR SURFACE CLOSER AND SURFACE BOLTS. COMPLETE DOOR AND FRAME UNITS ARE SUPPLIED WITH ACOUSTIC PERIMETER SEALS, DOOR BOTTOMS, THRESHOLD & ASTRAGAL (ON ACTIVE) OPTIONS AVAILABLE: FIRE RATINGS UP TO 1½ HOUR, AND SOME ADDITIONAL HARDWARE PREPARATIONS. (CONSULT FACTORY)



NOTE:
 FRAME MUST BE INSTALLED AT FINISHED FLOOR HEIGHT.
 (DO NOT EMBED IN FLOOR)

LEGEND:

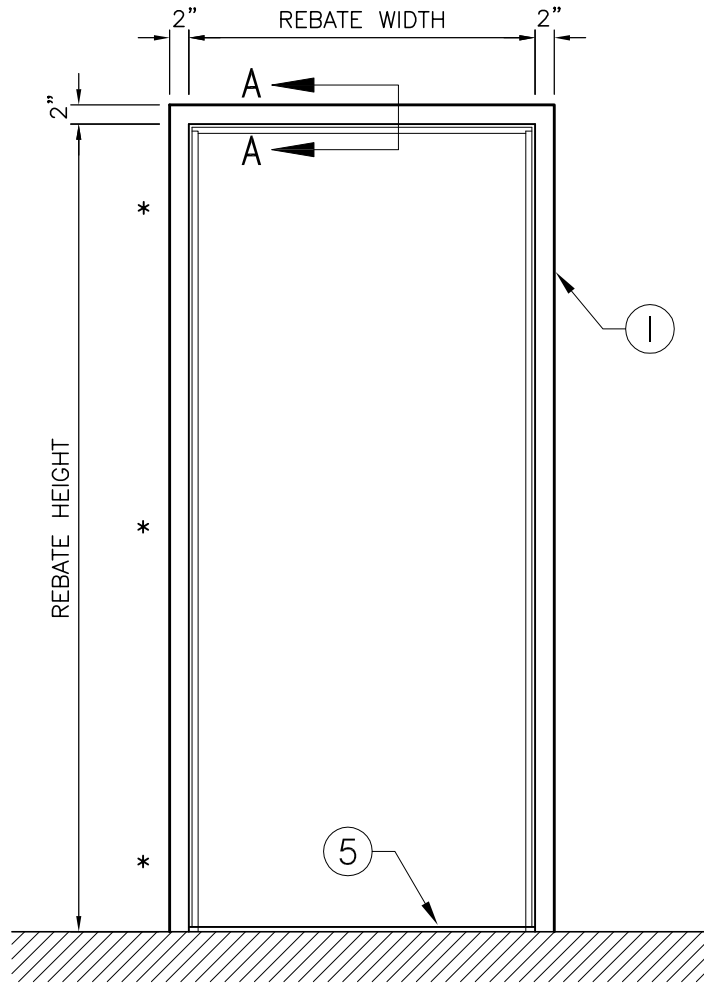
1. PRESSED STEEL ACOUSTIC FRAME.
2. ACOUSTIC ABSORPTION CHAMBER.
3. ACOUSTIC PERIMETER SEALS TO BE FITTED AND FASTENED TO JAMBS AND HEAD AT SITE.
4. ACOUSTIC PERIMETER SEALS AND BRACKET TO BE FITTED AND FASTENED TO HEADER AT SITE.
5. ACOUSTIC NEOPRENE AT HEADER ONLY. (SHIPPED LOOSE)
6. SECONDARY PERIMETER ACOUSTIC SEAL TO BE FITTED AND FASTENED TO JAMBS AND HEAD BY INSTALLER ON SITE.
7. ¼" HIGH FLAT ACOUSTIC THRESHOLD 5" WIDTH, TO BE INSTALLED ON FINISHED FLOOR.



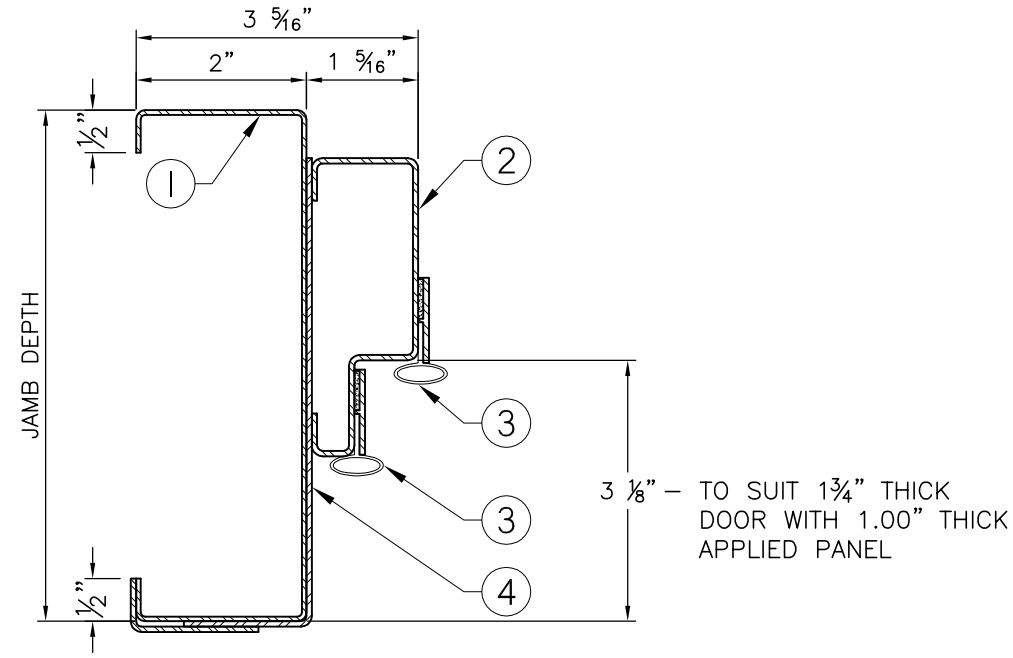
NOTE:
 FRAME MUST BE INSTALLED AT FINISHED FLOOR HEIGHT.
 (DO NOT EMBED IN FLOOR)
 * FRAME TO BE PREPARED FOR CAM-LIFT HINGES.

LEGEND:

1. CASE OPEN BASE FRAME.
2. PLANTED STOP TO BE FIXED TO CASE OPEN BASE FRAME WITH COUNTERSUNK SCREWS.
3. ACOUSTIC PERIMETER SEALS TO BE FITTED AND FASTENED TO JAMBS AND HEAD ON SITE.
4. ACOUSTIC SEALS TO EXTEND BENEATH PLANTED STOP AND CLAMPED AT FACTORY TO FRAME FACE WITH ANGLE.
5. ¼" HIGH FLAT ACOUSTIC THRESHOLD 5" WIDTH, TO BE INSTALLED ON FINISHED FLOOR.



ELEVATION



SECTION A-A

NOTES:

- FRAME MUST BE INSTALLED AT FINISHED FLOOR.
(DO NOT EMBED JAMB IN FLOOR).
- * FRAME TO BE PREPARED FOR CAM-LIFT HINGES.