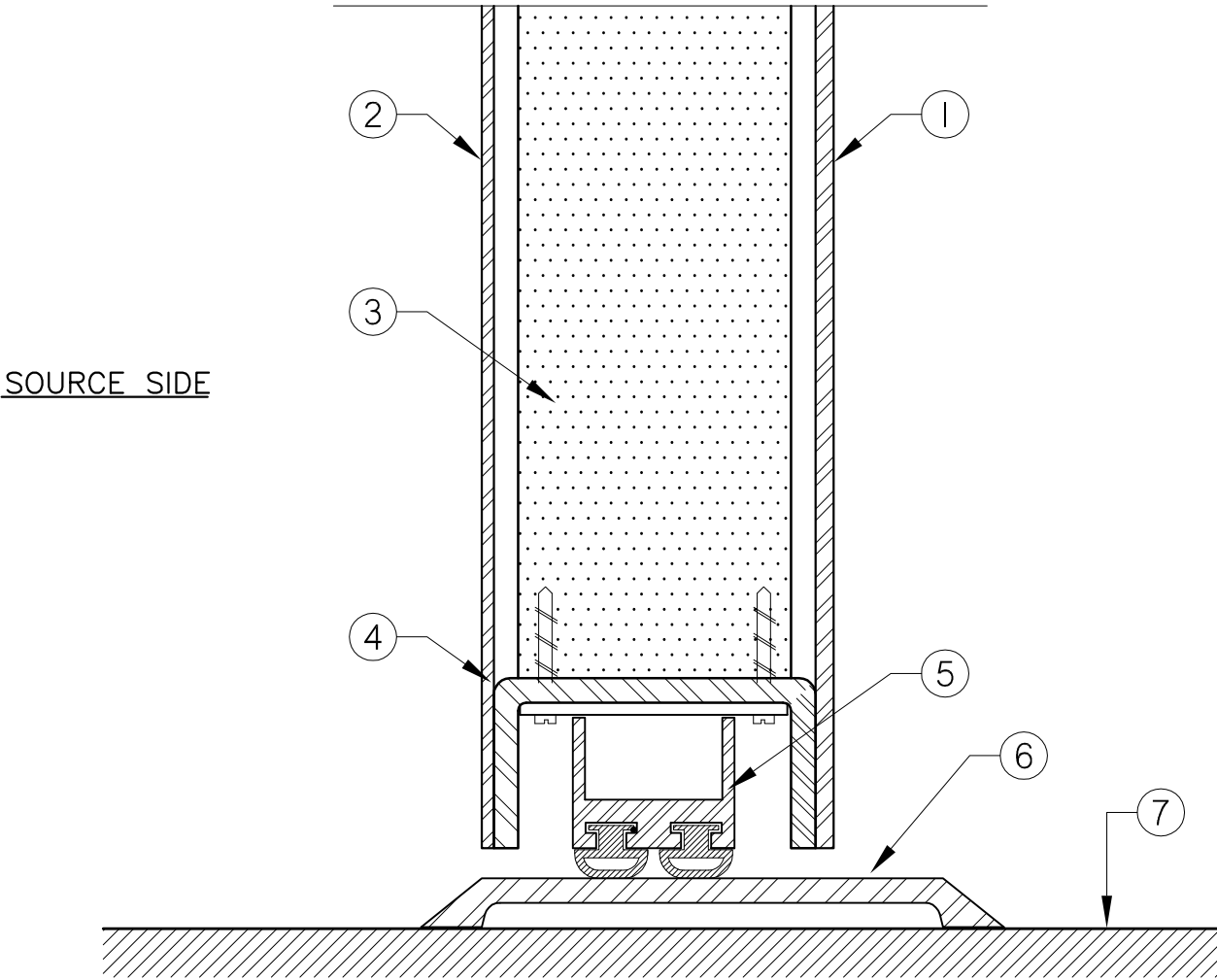


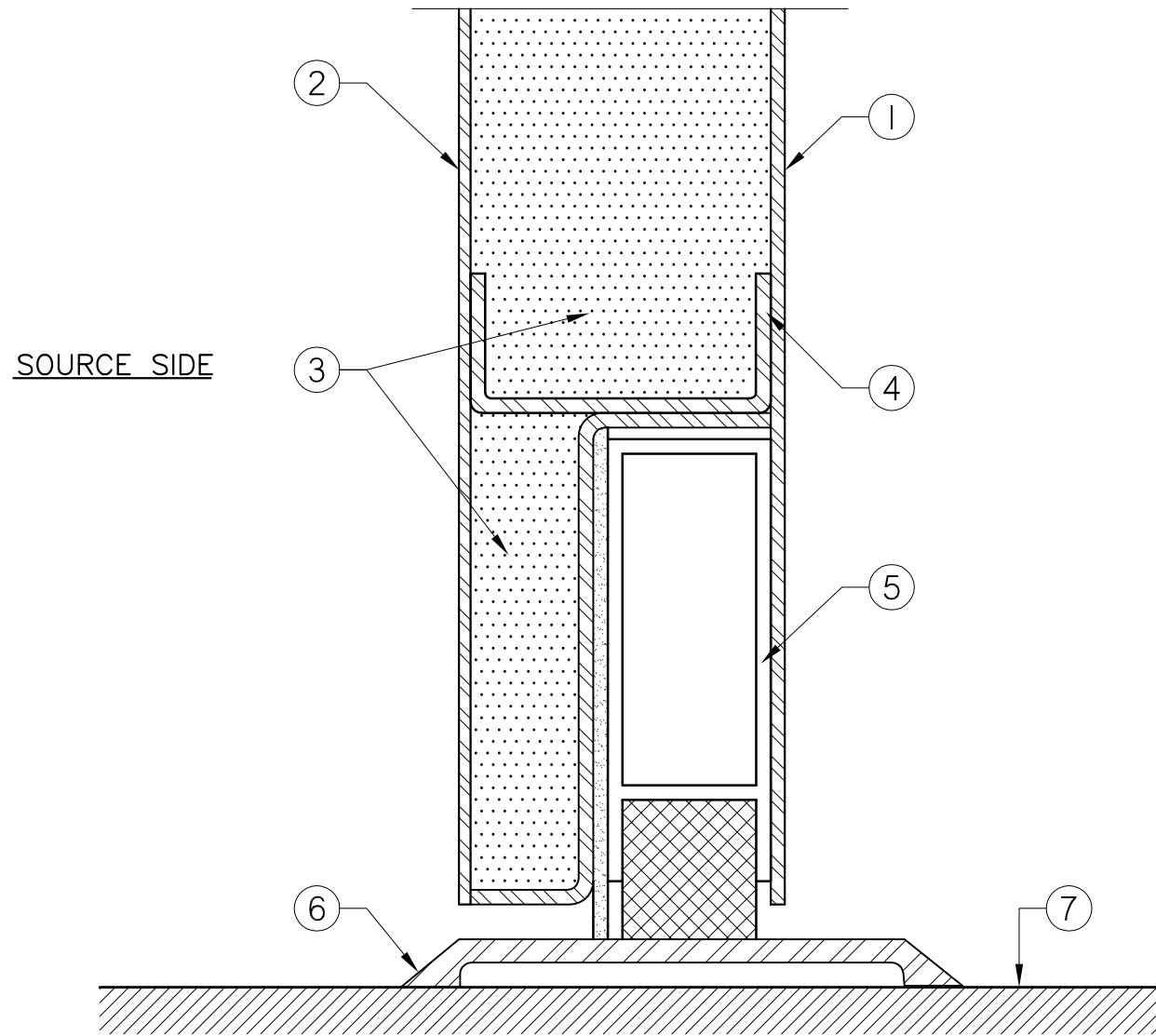
LEGEND:

- 1. STEEL BACK SKIN.
- 2. STEEL FRONT SKIN.
- 3. ALL VOIDS FILLED WITH SOUND DEADENER.
- 4. BOTTOM CHANNEL.
- 5. ACOUSTIC MORTISED DROP DOOR BOTTOM.
- 6. 1/4" HIGH FLAT ACOUSTIC .
- 7. FINISHED FLOOR.



LEGEND:

1. STEEL BACK PANEL.
2. STEEL FRONT PANEL.
3. ALL VOIDS FILLED WITH SOUND DEADENER.
4. BOTTOM CHANNEL.
5. ACOUSTIC MORTISED DROP DOOR BOTTOM.
6. 1/4" HIGH FLAT ACOUSTIC THRESHOLD.
7. FINISHED FLOOR.



STOCK ACOUSTIC DOORS FOR SINGLE OR PAIRED OPENINGS. AVAILABLE IN STC-33 THROUGH STC 51. STOCK DOOR SIZE IS 3'-0"x7'-0"x 1-3/4". DOOR IS TEMPLATED FOR 4.5"x.180" MORTISED HINGES, AND REINFORCED FOR SURFACE CLOSER AND SURFACE BOLTS. AVAILABLE LOCK PREPARATIONS ARE CYLINDRICAL LOCK, MORTISE LOCK OR EXIT DEVICE. COMPLETE DOOR AND FRAME UNITS ARE SUPPLIED WITH ACOUSTIC PERIMETER SEALS, DOOR BOTTOMS, THRESHOLD & ASTRAGAL (ON ACTIVE DOOR OF PAIRS.) OPTIONS AVAILABLE: FIRE RATINGS UP TO 1 1/2 HOUR, AND SOME ADDITIONAL HARDWARE PREPARATIONS. (CONSULT FACTORY).

TYPICAL ACOUSTIC STEEL DOOR & DOOR BOTTOM FROM STC 39 TO STC 46

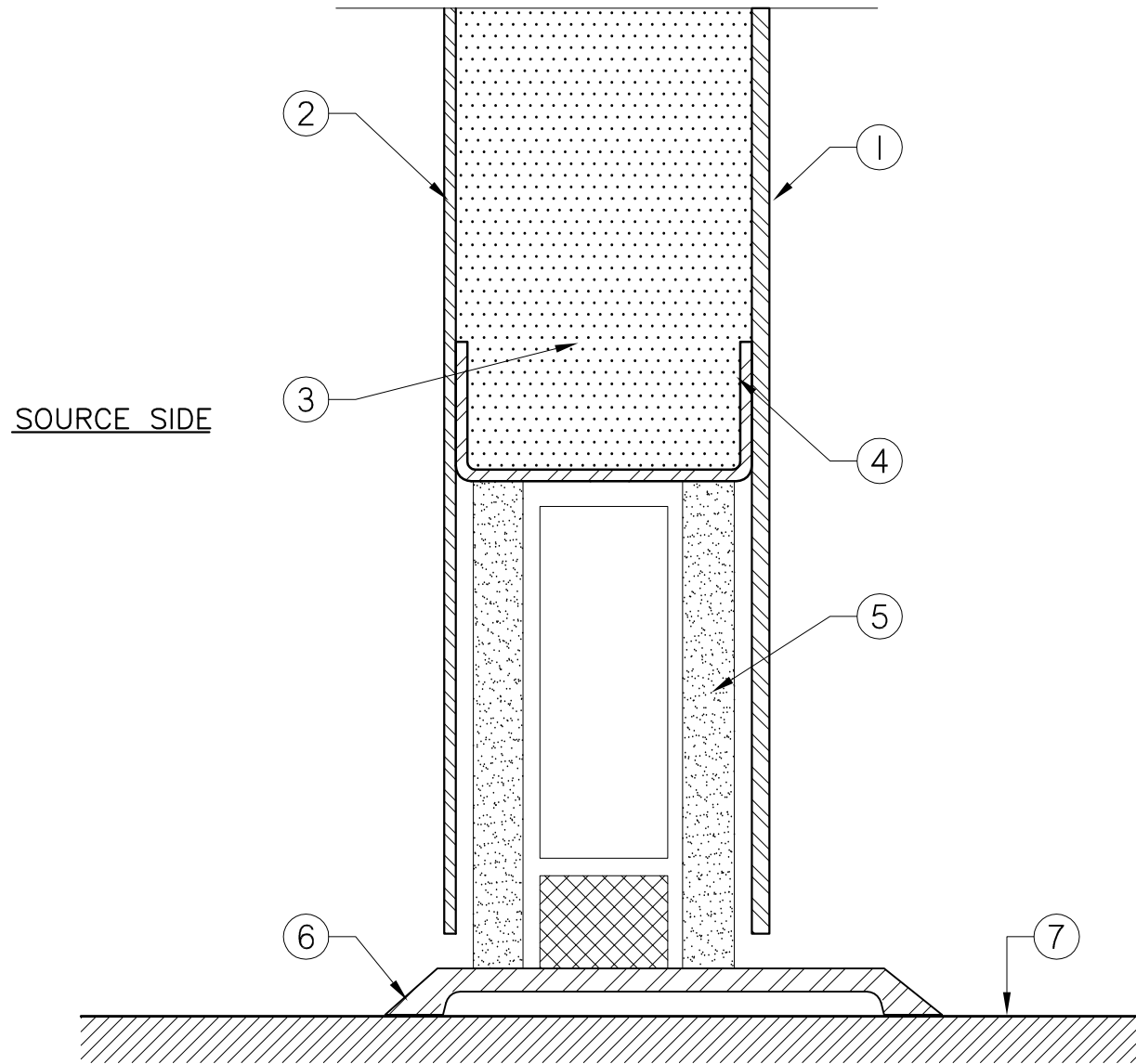
JOB NO:

SHEET: 1

OF: 1

LEGEND:

1. STEEL BACK PANEL.
2. STEEL FRONT PANEL.
3. ALL VOIDS FILLED WITH SOUND DEADENER.
4. BOTTOM CHANNEL.
5. ACOUSTIC MORTISED DROP DOOR BOTTOM.
6. 1/4" HIGH FLAT ACOUSTIC THRESHOLD.
7. FINISHED FLOOR.



STOCK ACOUSTIC DOORS FOR SINGLE OR PAIRED OPENINGS. AVAILABLE IN STC-33 THROUGH STC 51. STOCK DOOR SIZE IS 3'-0"x7'-0"x1-3/4". DOOR IS TEMPLATED FOR 4.5"x.180" MORTISED HINGES, AND REINFORCED FOR SURFACE CLOSER AND SURFACE BOLTS. AVAILABLE LOCK PREPARATIONS ARE CYLINDRICAL LOCK, MORTISE LOCK OR EXIT DEVICE. COMPLETE DOOR AND FRAME UNITS ARE SUPPLIED WITH ACOUSTIC PERIMETER SEALS, DOOR BOTTOMS, THRESHOLD & ASTRAGAL (ON ACTIVE DOOR OF PAIRS.) OPTIONS AVAILABLE: FIRE RATINGS UP TO 1 1/2 HOUR, AND SOME ADDITIONAL HARDWARE PREPARATIONS. (CONSULT FACTORY).

TYPICAL ACOUSTIC STEEL DOOR & DOOR BOTTOM FROM STC 47 TO STC 51

JOB NO:

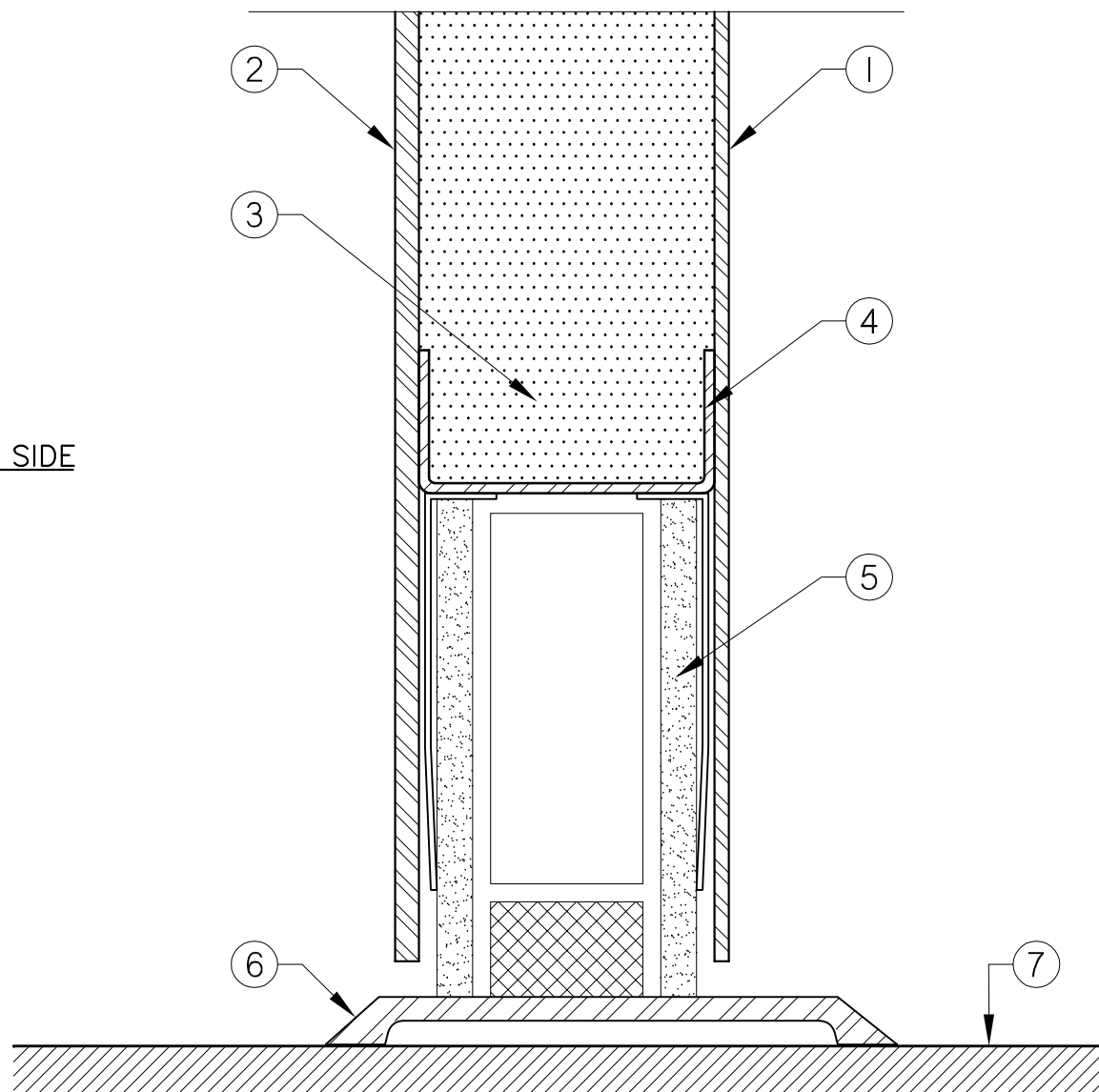
SHEET: 1

OF: 1

LEGEND:

1. STEEL BACK PANEL.
2. STEEL FRONT PANEL.
3. ALL VOIDS FILLED WITH SOUND DEADENER.
4. BOTTOM CHANNEL.
5. ACOUSTIC MORTISED DROP DOOR BOTTOM.
6. 1/4" HIGH FLAT ACOUSTIC THRESHOLD.
7. FINISHED FLOOR.

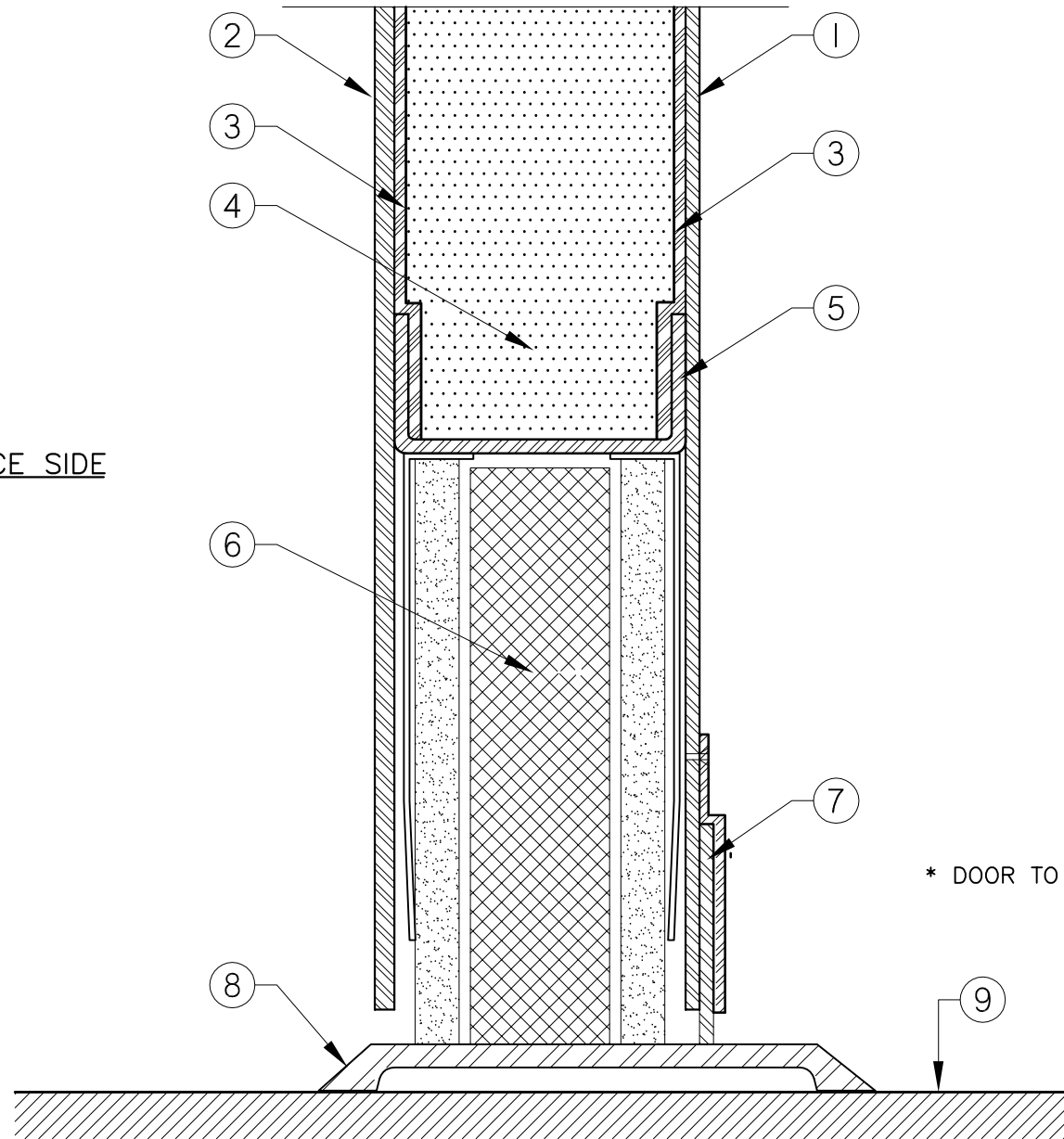
SOURCE SIDE



LEGEND:

1. STEEL BACK PANEL.
2. STEEL FRONT PANEL.
3. ACOUSTIC LINING.
4. ALL VOIDS FILLED WITH SOUND DEADENER.
5. BOTTOM CHANNEL.
6. ACOUSTIC MORTISED FIXED DOOR BOTTOM.
7. SECONDARY SURFACE ACOUSTIC SWEEP.
8. 1/4" HIGH FLAT ACOUSTIC THRESHOLD.
9. FINISHED FLOOR.

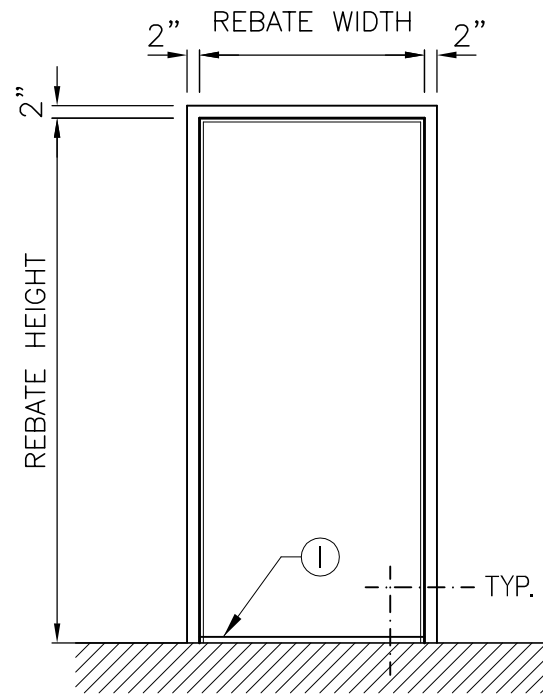
SOURCE SIDE



* DOOR TO BE PREPARED FOR CAM-LIFT HINGES

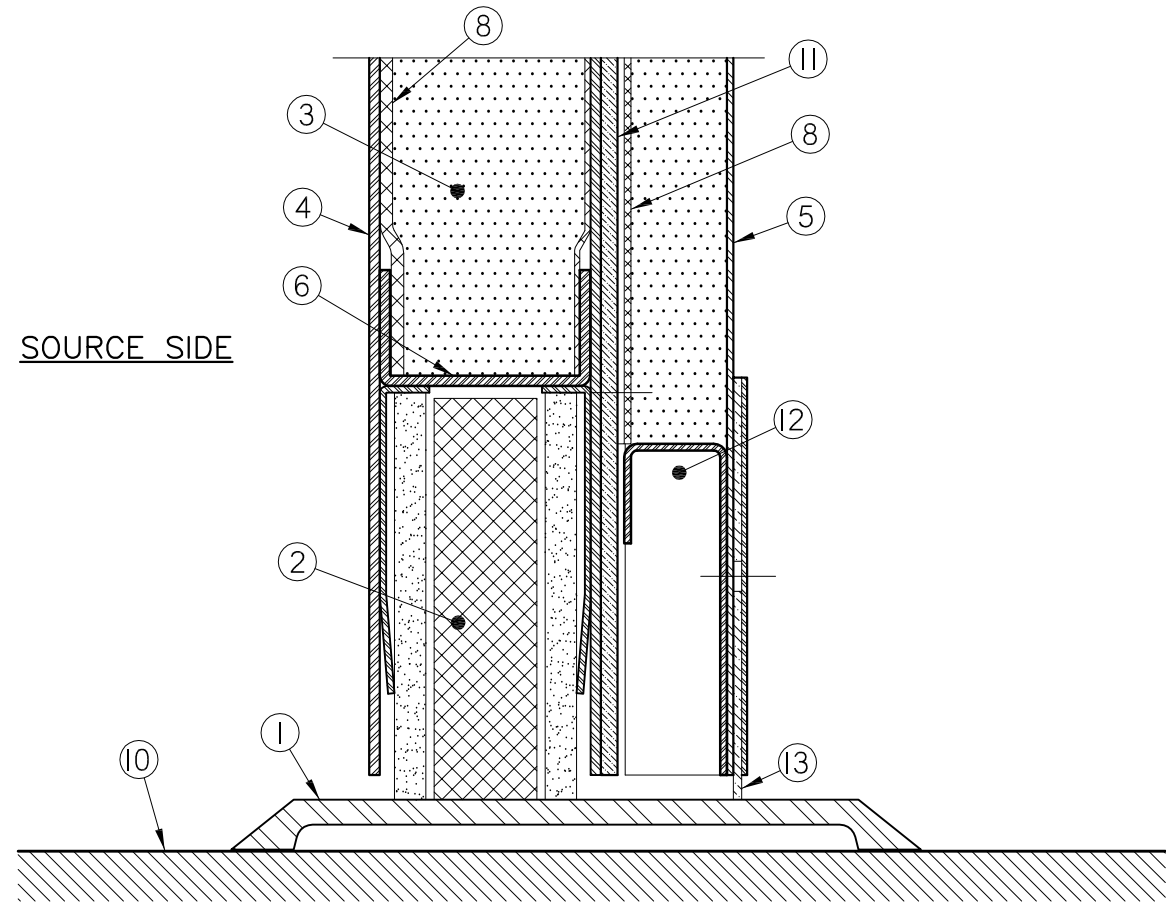
NOTE:

UNLESS SPECIFIED OTHERWISE, THE SOURCE SIDE IS ALWAYS THE PULL SIDE OF THE DOOR.



LEGEND:

1. 1/4" HIGH FLAT ACOUSTIC THRESHOLD 5" WIDE x REBATE WIDTH TO BE INSTALLED ON FINISHED FLOOR.
2. ACOUSTIC MORTISED FIXED DOOR BOTTOM ASSEMBLY.
3. ALL VOIDS FILLED WITH SOUND DEADENER.
4. STEEL FRONT PANEL. (SOURCE SIDE)
5. STEEL BACK PANEL. (RECEIVER SIDE)
6. BOTTOM CHANNEL.
7. STEEL STIFFENERS PROVIDED.
8. ACOUSTIC LINING.
9. BOTTOM RETAINER FASTENED TO BOTTOM CHANNEL.
10. FINISHED FLOOR.
11. ACOUSTIC SEPTUM BARRIER.
12. ACOUSTIC MORTISED FIXED DOOR SWEEP ASSEMBLY.
13. ACOUSTIC SURFACE APPLIED SWEEP.



NOTES:

- SECONDARY 1" THK. PANEL IS INSET BY 1" AT THE TOP AND TWO SIDES FROM THE EDGES OF THE 1 3/4" THICK BASE DOOR.
- DOORS TO BE PREPARED FOR CAMLIFT HINGES. HINGES SUPPLIED LOOSE BY AMBICO.
- MINIMUM LOCK BACKSET REQUIRED OF 3 3/4".
- LOCK TO BE CENTERED IN 1 3/4" BASE DOOR.