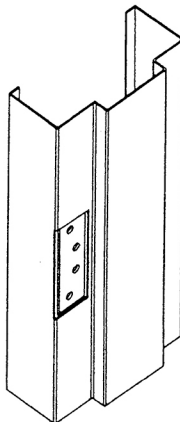
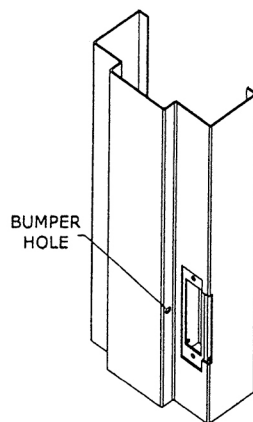


- NOTE:
- 1) AS 5-3/4 FRAMES WILL HAVE 7/16" DW (DOUBLE) RETURN AS STANDARD - 16GA. ONLY (1/2" SINGLE RETURN AS AN OPTION)
  - 2) AS 4-3/4 FRAMES WILL HAVE 1/2" DW RETURN (16 GA. ONLY)
  - 3) ALL OTHER FRAMES WILL HAVE 1/2" SINGLE RETURN

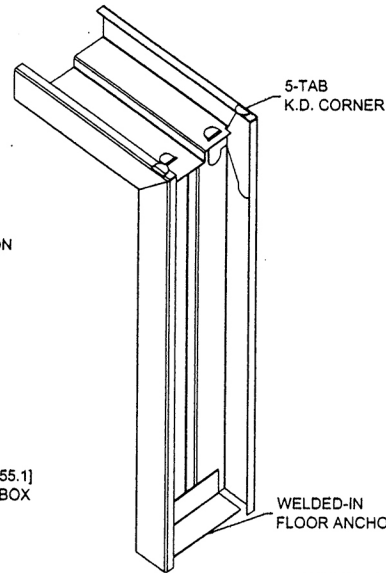


4-1/2" (114) UNIVERSAL HINGE PREPARATION  
7Ga. (4.1) REINFORCEMENT WITH DUST BOX  
FOR STANDARD OR HEAVY WEIGHT HINGES  
D & T FOR #12-24 SCREW



4-7/8" (124) STRIKE PREPARATION [ANSI A155.1]  
14 Ga. (2.0) REINFORCEMENT WITH DUST BOX  
D & T FOR #12-24 SCREW

OPTIONAL  
DEADBOLT  
PREPARATION  
AVAILABLE



WELDED-IN  
FLOOR ANCHOR

NOTE: REFER TO TECHNICAL DATA MANUAL FOR FULL FIRE RATING INFORMATION

	MODEL	JAMB DEPTH	AS 16	AS 14
			THROAT	THROAT
STD.	AS 475	4-3/4" (121)	3-3/4" (95)	3-3/4" (95)
	AS 575	5-3/4" (146)	4-7/8" (124)	4-3/4" (121)
	AS 675	6-3/4" (172)	5-3/4" (146)	5-3/4" (146)
	AS 875	8-3/4" (222)	7-3/4" (197)	7-3/4" (197)
ENG.	MINIMUM	4-1/2" (114)	3-1/2" (89)	3-1/2" (89)
	MAXIMUM	12-1/4" (311)	11-1/4" (286)	11-1/4" (286)

Drawing No.

"AS" SERIES MASONRY FRAMES

Date: 08/15/05

Drawn by: LX

PROJECT:

**DAYBAR**

SHEET:

○ OF ○