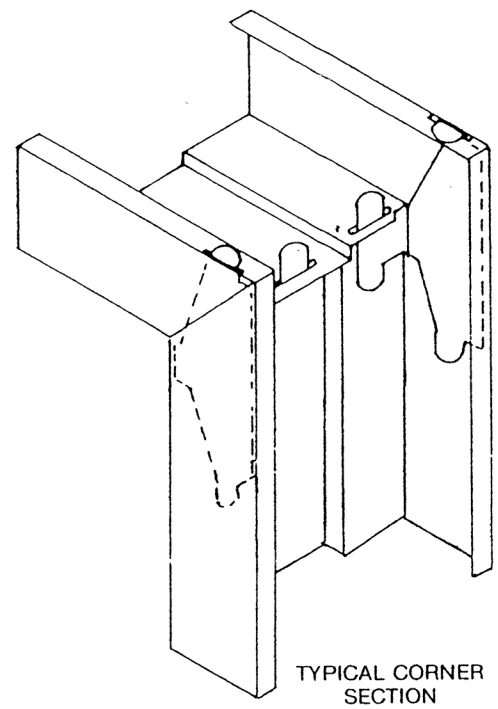
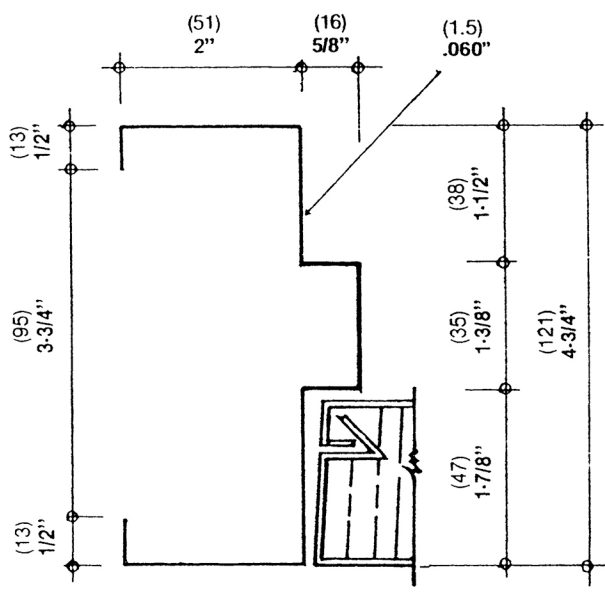
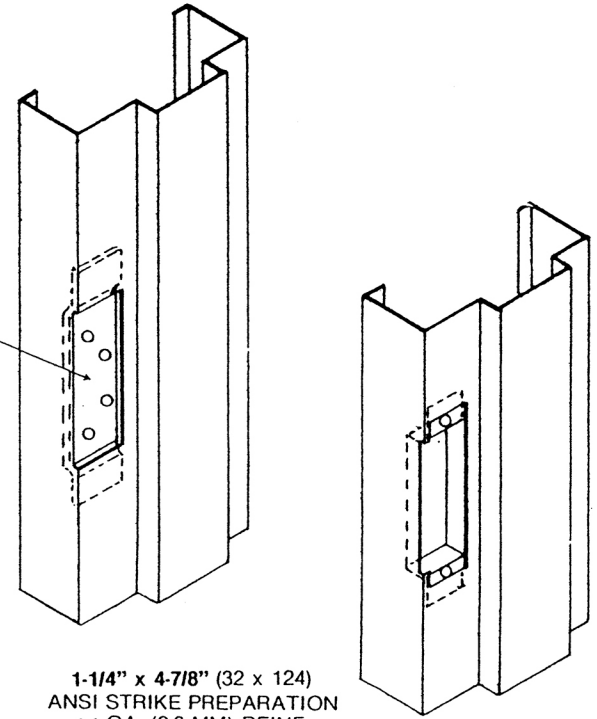
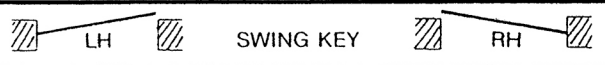


7 ga. .134 (3.4) HINGE REINFORCING

SEE PG. 902 FOR HINGE AND STRIKE PLACEMENT LOCATIONS



ORIGINAL DATE ISSUED — FEBRUARY 1975



REVISIONS	#	DATE
General	1	Jan. '81

NOTES
 All dimensions given are subject to + or - 1/16" (+ 2) tolerance.
 See pg. 901 for specifications
 Dimensions shown in () are in mm.