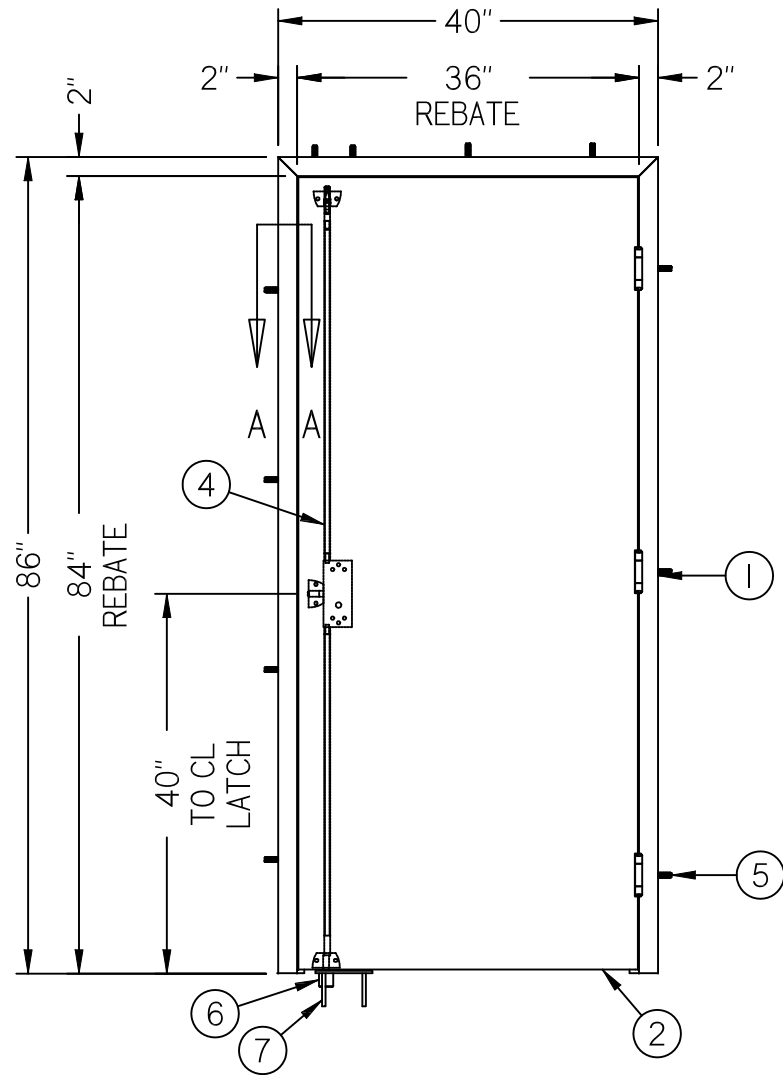
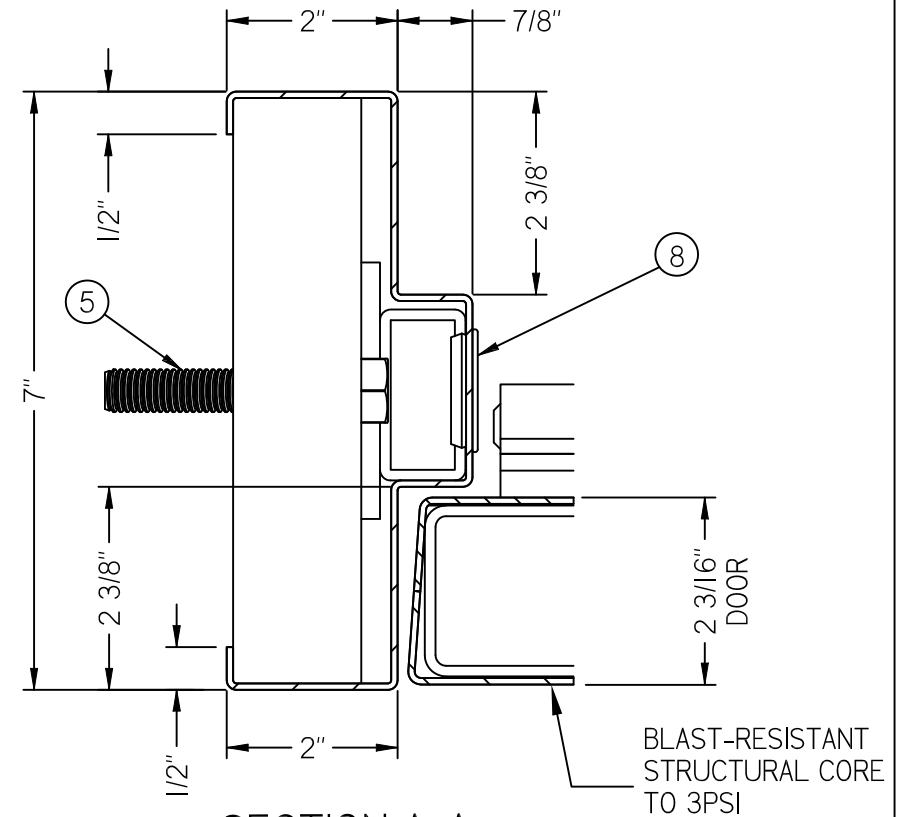
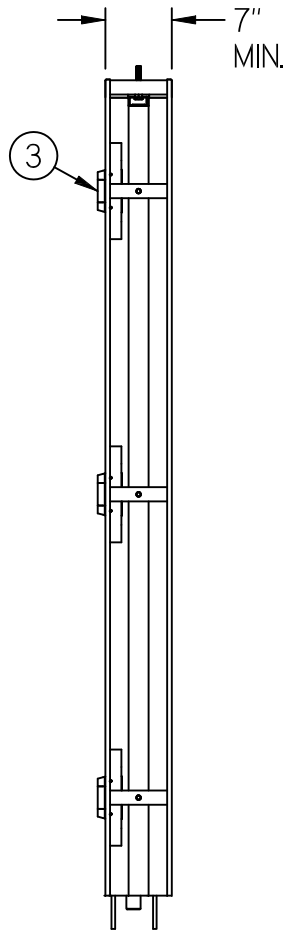


NOTES:

1. ARCHITECT AND/OR CONTRACTOR TO ENSURE WALL CAN RESIST APPLIED LOADING.
2. QUANTITY OF SCREWS OR CONCRETE ANCHORS AND THEIR LOCATION DEPENDS ON WALL CONSTRUCTION AND THUS ARE SUBJECT TO CHANGE



ELEVATION

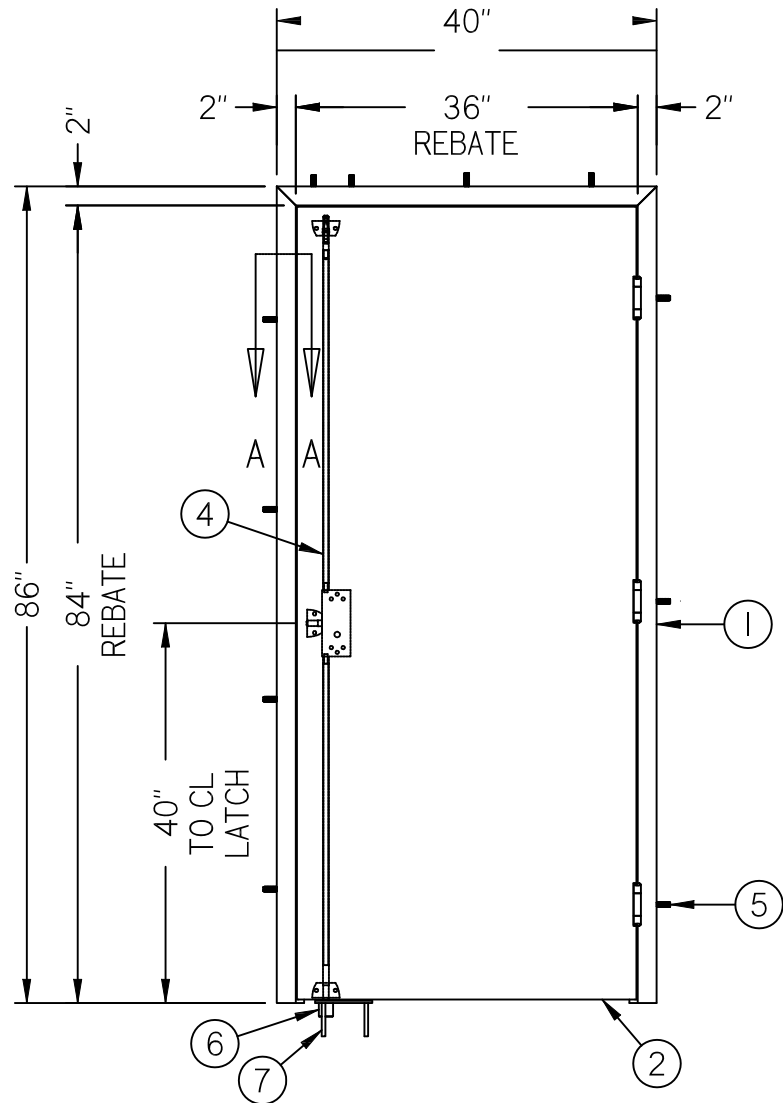


SECTION A-A

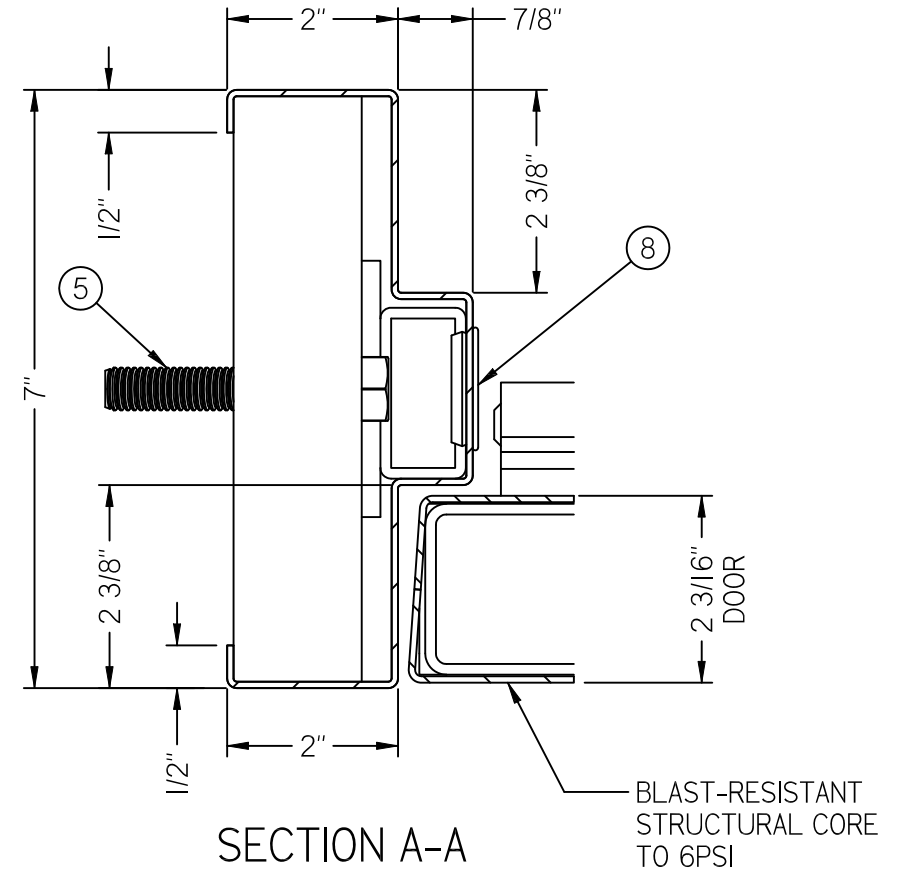
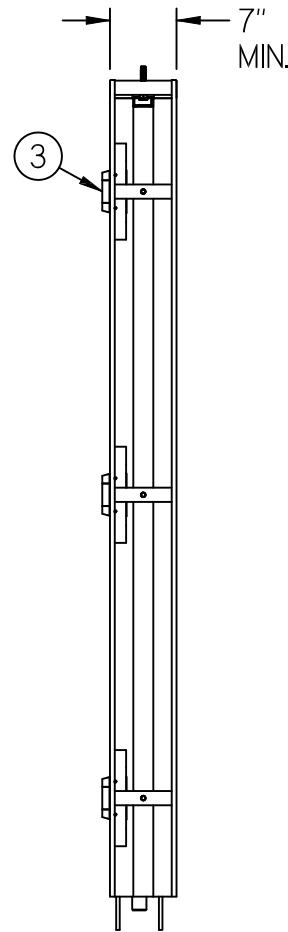
Item No.	Title
1	3psi Blast-Resistant Frame
2	3psi Blast-Resistant Door
3	4 1/2" x 4 1/2" Super Heavy Weight Hinge
4	Surface-Mount 3-pt Blast-Resistant Hardware
5	Hex Bolt or Concrete Anchor
6	Floor Plate
7	Flat-Head Concrete Anchor
8	Hole Plug - 1.25" Hole

NOTES:

1. ARCHITECT AND/OR CONTRACTOR TO ENSURE WALL CAN RESIST APPLIED LOADING.
2. QUANTITY OF SCREWS OR CONCRETE ANCHORS AND THEIR LOCATION DEPENDS ON WALL CONSTRUCTION AND THUS ARE SUBJECT TO CHANGE



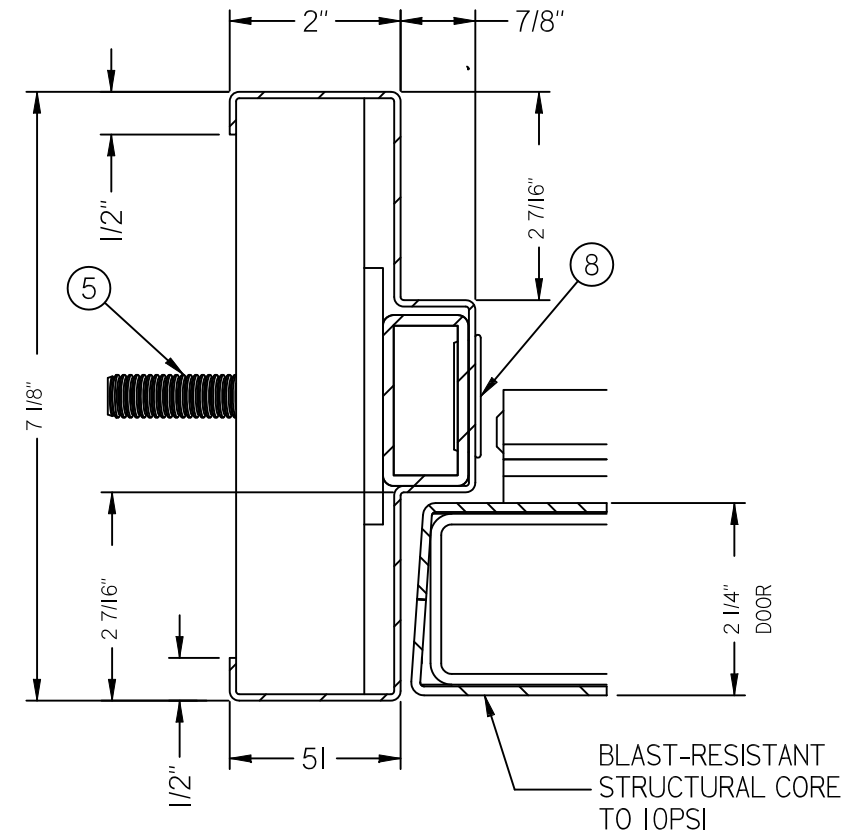
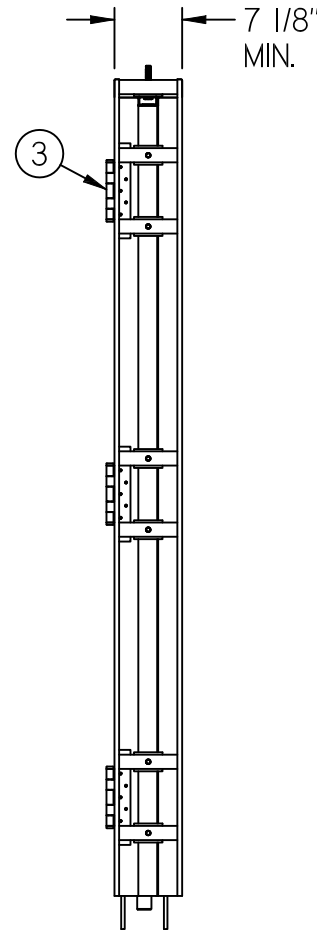
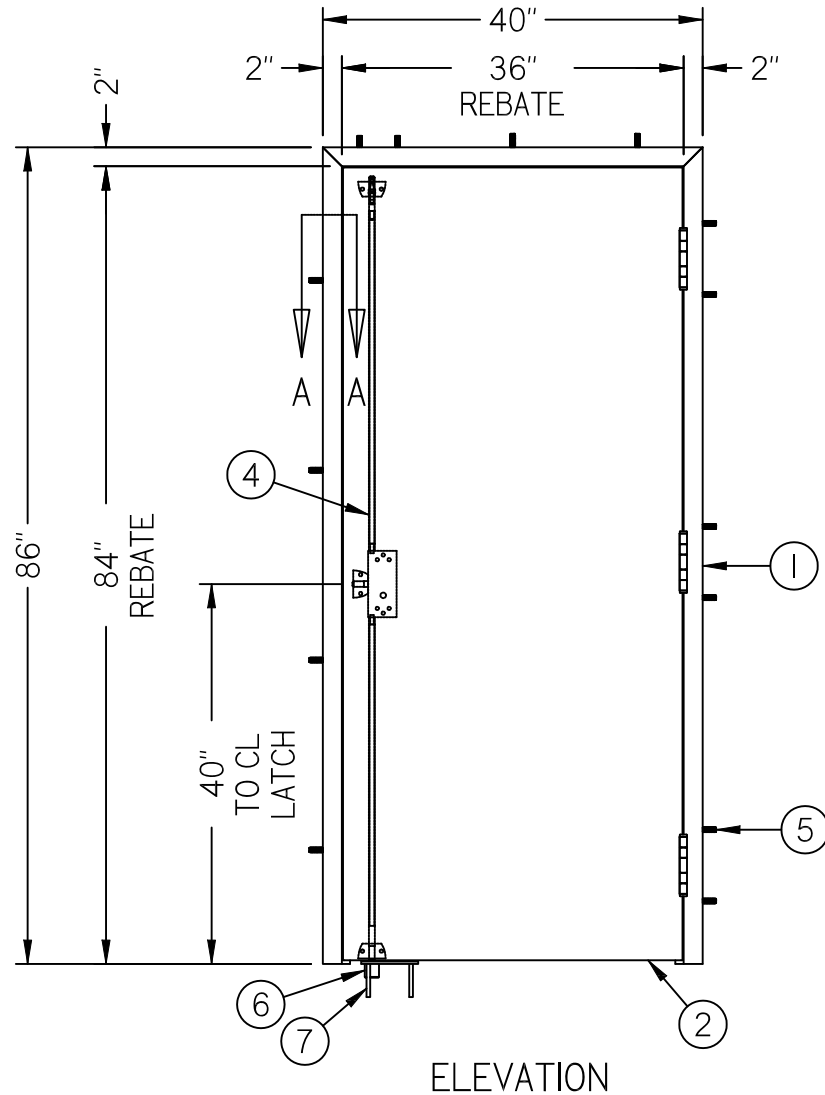
ELEVATION



Item No.	Title
1	6psi Blast-Resistant Frame
2	6psi Blast-Resistant Door
3	4 1/2" x 4 1/2" Super Heavy Weight Hinge
4	Surface-Mount 3-pt Blast-Resistant Hardware
5	Hex Bolt or Concrete Anchor
6	Floor Plate
7	Flat-Head Concrete Anchor
8	Hole Plug - 1.25" Hole

NOTES:

1. ARCHITECT AND/OR CONTRACTOR TO ENSURE WALL CAN RESIST APPLIED LOADING.
2. QUANTITY OF SCREWS OR CONCRETE ANCHORS AND THEIR LOCATION DEPENDS ON WALL CONSTRUCTION AND THUS ARE SUBJECT TO CHANGE



Item No.	Title
1	10 psi Blast-Resistant Frame
2	10 psi Blast-Resistant Door
3	6" Heavy Weight Hinge w/ Welded Knuckles
4	Surface-Mount 3-pt Blast-Resistant Hardware
5	Hex Bolt or Concrete Anchor
6	Floor Plate
7	Flat-Head Concrete Anchor
8	Hole Plug - 1.25" Hole