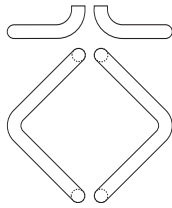


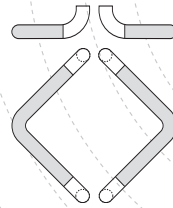
These right angle push and pulls offer a solution to matching glass door exit devices as well as being a design statement of their own. The extra gripping area provided by the horizontal and vertical sections make it a universally usable pull and push bar. Standard diameter is 1½"; other diameters are available.

RightAngles™ with or without GripZone™



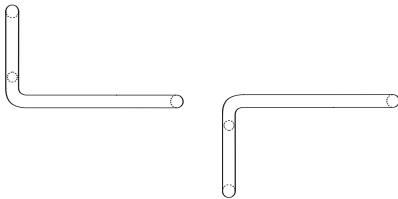
Angle Pull

Pull No.	CTC
RM405-15	15"



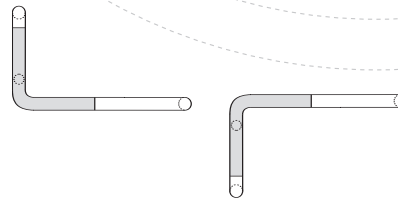
Angle Pull with GripZone

Pull No.	CTC
RM415-15	15"



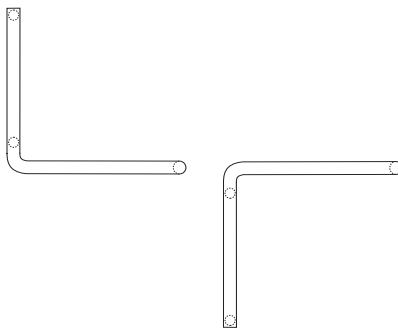
Short Angle Push Pulls

Pull No.	CTC
RM410 (leg up)	Specify Height x Width
RM411 (leg down)	Specify Height x Width



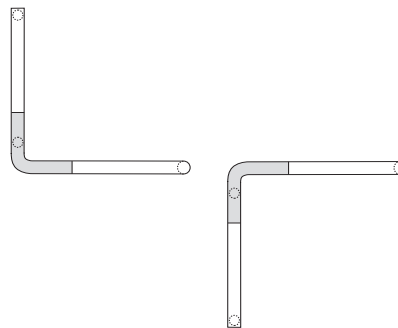
Short Angle Push Pulls with GripZone

Pull No.	CTC
RM420 (leg up)	Specify Height x Width
RM421 (leg down)	Specify Height x Width



Long Angle Push Pulls

Pull No.	CTC
RM412 (leg up)	Specify Height x Width
RM413 (leg down)	Specify Height x Width



Long Angle Push Pulls with GripZone

Pull No.	CTC
RM422 (leg up)	Specify Height x Width
RM423 (leg down)	Specify Height x Width

Application Suggestion

