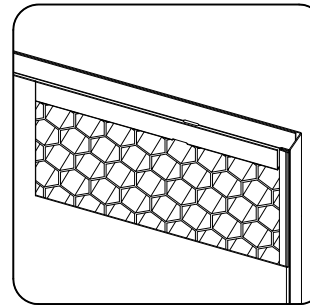
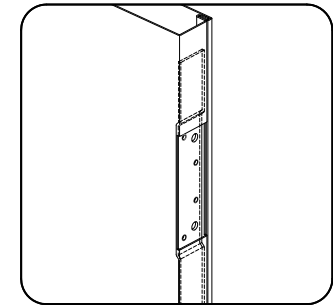


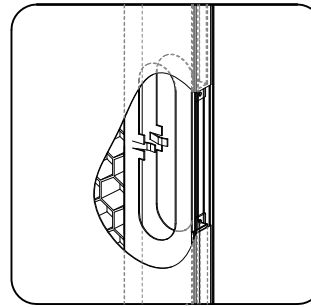
A. CLOSER REINFORCEMENT / TOP CHANNEL
14 ga. closer reinforcement,
fitted to 16 ga. inverted top channel



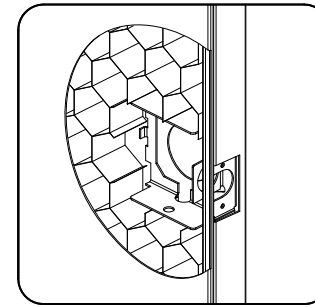
B. HONEYCOMB CORE
1" cell diameter



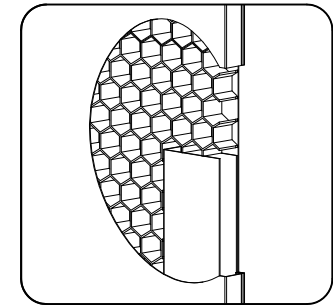
C. HINGE REINFORCEMENT
7 ga. hinge reinforcement (universal) for standard
or heavy weight 4.5" high template butt hinges



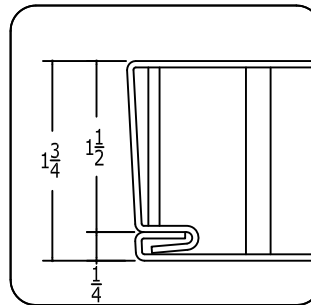
D. ANSI A115.1 #86
MORTISE LOCK REINFORCEMENT
14 ga. reinforcement with lock guide
D & T for #12-24 screw



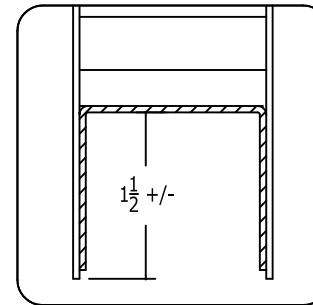
*D. ANSI A115.2 #161
LOCK REINFORCEMENT (SHOWN)
14 ga. reinforcement, 2-3/4" backset
D & T for #8-32 screw



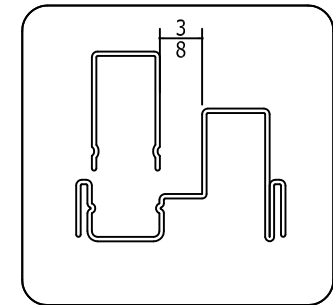
D. RIM PANIC REINFORCEMENT
14 ga. reinforcement
(includes reinforcement for surface
vertical rod or surface bolts)



E. BEVELLED EDGES
LOCK SEAM DESIGN
1/8" IN 2"



F. BOTTOM CHANNEL
16 gauge inverted bottom channel



G. OPTIONAL:
WHI LISTED DOOR GLAZING KIT (Snap in bead)
* GLASS BY OTHERS

TECHNICAL SPECIFICATION:

Material:

- A40 Galvanneal (STD)
- A60 Galvanneal (OPT)
- 20 Gauge Standard

Core:

Core:	STC Rating	R-Value
HONEYCOMB (STD.)	32	2.5
POLYSTYRENE	34	6.60
POLYURETHANE	34	11.10
TEMPERATURE RISE	35	3.25
POLYISO INSULATION	34	12.2

Drawing No. D3

Date: 06/05/2014

LS20 SERIES DOOR

Drawn by: LX

PROJECT:

DAYBAR

SHEET:

○ OF ○