

# H 5015 Serie K2

design Antonio Citterio

## Product Submittal



Custom finishes available  
 Spring assist built in rosette  
 Passage, privacy, dummy, multipoint, mortise hardware available  
 Accommodates all standard and some custom backset dimensions  
 A complete selection of other matching hardware may be available

### Finishes

32D= Satin Stainless Steel

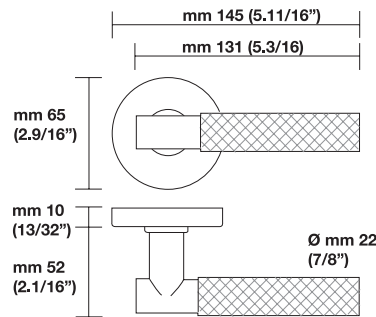
### Functions

PGE= passage  
 PCY= privacy  
 DMY= dummy  
 ML-F= mortise lock  
 MULTI-POINT TRIM

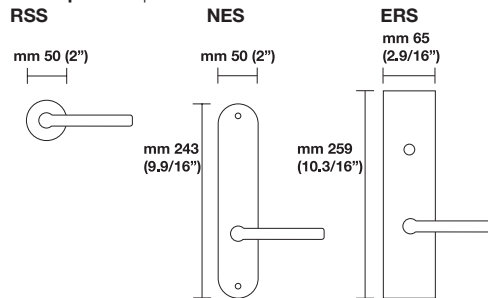
### Trim Options

RP= standard plain style rosette  
 RQ= standard square style rosette  
 NES= narrow long escutcheon plate stainless steel  
 ER= rectangular style long escutcheon plate stainless steel

### Sizes/Misure



### Trim options/Opzioni



### Finish



	32D/Black leather	RPS	RSS
	32D/Orange leather	RPS	RSS

### Finish



### PGE

	32D/Black leather	NES	ERS
	32D/Orange leather	NES	ERS

To order Valli&Valli products, informations should be specified in the same sequence as the example given:

1.Lever/Knob	2.Trim options	3.Function	4.Finish	5.Handing	6.Backset	7.Miscellaneous
HXXX	RP	ML XX	03	RH	2.1/2"	2.1/4" thick

For small rosette, please specify RS/RSQ (45 mm rosette). RS pricing is the same as RP/RT pricing. Privacy RS also requires 105 RSP when ordering. RQ (2.9/16" rosette) for standard 2.1/8" cross bore. RSQ pricing is the same as RQ. Privacy RSQ also requires 105 RSQ when ordering. ET/EP = 03-26 Standard Finish, ER = 15-26-26D Standard Finish. Conversion from metric to US measurement are approximate.

## Valli&Valli (U.S.A.) Inc.

**Headquarter/Showroom**  
 Valli&Valli (U.S.A.) Inc.  
 22 West 21st Street  
 6th Floor  
 New York, NY 10010  
 Tel. (212) 326 8811  
 Fax (212) 326 8816  
 Toll Free (877) 326 2565  
 Toll Free (800) 423 7161  
 E-mail: sales@vallivalli-us.com  
 E-mail: w.sales@vallivalli-us.com

**Warehouse**  
 Valli&Valli (U.S.A.) Inc.  
 100 Commerce Way, Suite 2  
 Hackensack, NJ 07601  
 Tel. (973) 249 0085  
 Fax (973) 249 0135

ASSA ABLOY, the global leader  
 in door opening solutions