

H 5014 Serie Bernina

design Fusital Workshop

Product Submittal



Custom finishes available
 Spring assist built in rosette
 Passage, privacy, dummy, multipoint, mortise hardware available
 Accommodates all standard and some custom backset dimensions
 A complete selection of other matching hardware may be available



Finishes

32= Polished Stainless Steel
 32D= Satin Stainless Steel

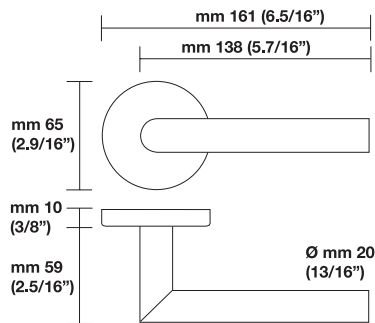
Functions

PGE= passage
 PCY= privacy
 DMY= dummy
 ML-F= mortise lock
 MULTI-POINT TRIM

Trim Options

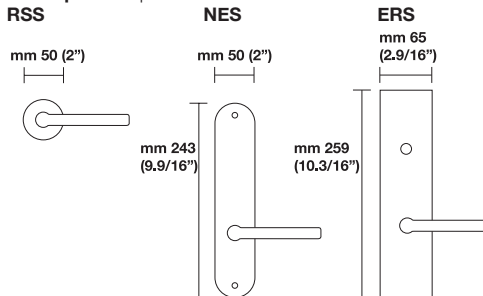
RP= standard plain style rosette
 RQ= standard square style rosette
 NES= narrow long escutcheon plate stainless steel
 ERS= rectangular style long escutcheon plate stainless steel

Sizes/Misure



Finish			
32	RPS		RSS
32D	RPS		RSS
			PGE
32D	NES		ERS

Trim options/Opzioni



To order Valli&Valli products, informations should be specified in the same sequence as the example given:

1.Lever/Knob	2.Trim options	3.Function	4.Finish	5.Handing	6.Backset	7.Miscellaneous
HXXX	RP	ML XX	03	RH	2.1/2"	2.1/4" thick

For small rosette, please specify RS/RSQ (45 mm rosette). RS pricing is the same as RP/RT pricing. Privacy RS also requires 105 RSP when ordering.
 RQ (2.9/16" rosette) for standard 2.1/8" cross bore. RSQ pricing is the same as RQ. Privacy RSQ also requires 105 RSQ when ordering.
 ET/EP = 03-26 Standard Finish, ER = 15-26-26D Standard Finish.
 Conversion from metric to US measurement are approximate.

Valli&Valli (U.S.A.) Inc.

Headquarter/Showroom
 Valli&Valli (U.S.A.) Inc.
 22 West 21st Street
 6th Floor
 New York, NY 10010
 Tel. (212) 326 8811
 Fax (212) 326 8816
 Toll Free (877) 326 2565
 Toll Free (800) 423 7161
 E-mail: sales@vallivalli-us.com
 E-mail: w.sales@vallivalli-us.com

Warehouse
 Valli&Valli (U.S.A.) Inc.
 100 Commerce Way, Suite 2
 Hackensack, NJ 07601
 Tel. (973) 249 0085
 Fax (973) 249 0135

ASSA ABLOY, the global leader
 in door opening solutions