

H 369 Serie EG Duemilanove

design Eri Goshen

Material Nikrall Lega Zama UNI 3717

Product Submittal

Custom finishes available
 Spring assist built in rosette
 Passage, privacy, dummy, multipoint, mortise hardware available
 Accommodates all standard and some custom backset dimensions
 A complete selection of other matching hardware may be available



Finish	EP	ER
26	RP	
26D	RP	

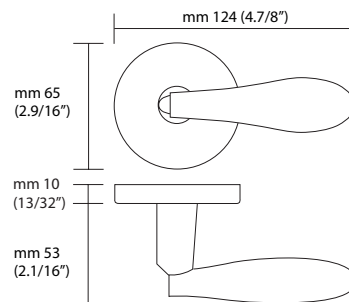
Finishes
 26= Polished Chrome
 26D= Satin Chrome

Functions
 PGE= passage
 PCY= privacy
 DMY= dummy
 ML-F= mortise lock
 MULTI-POINT TRIM

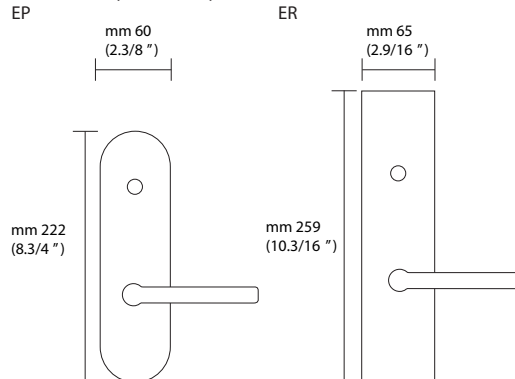
Trim Options
 RP= standard plain style rosette
 EP= plain style long escutcheon plates
 ER= rectangular style long escutcheon plates

Finish	EP	ER
26	EP	ER
26D	EP	ER

Sizes /Misure



Escutcheon options /Opzioni



Valli&Valli USA Inc
 Architects and Designers Building
 964 Third Ave., Suite 563/Annex
 New York, NY 10155
 Tel. +1 (212) 326 8811
 Fax +1 (212) 326 8816
 Toll Free (877) 326 2565
 website: www.vallivalli-us.com

To order Valli&Valli products, informations should be specified in the same sequence as the example given:

- | | | | | | | |
|-----------------------------|-----------------------------|---------------------------|-----------------------|------------------------|----------------------------|--|
| 1.Lever/Knob
HXXX | 2.Trim options
RT | 3.Function
ML F | 4.Finish
03 | 5.Handing
RH | 6.Backset
2-1/2" | 7.Miscellaneous
2-1/4" thick |
|-----------------------------|-----------------------------|---------------------------|-----------------------|------------------------|----------------------------|--|

For small rosette, please specify RS (45 mm rosette). RS pricing is the same as RP/RT pricing. Privacy RS also requires 105 RSP when ordering.
 RQ (2.9/16" rosette) for standard 2.1/8" cross bore.

Warehouse
 100 Commerce Way Suite 2
 Hackensack, NJ 07601
 Tel. +1 (973) 249 0085
 Fax +1 (973) 2490135