

H 368 Serie CA Duemilanove

design Cerry & Associati

Material Brass / Materiale Ottone

Product Submittal

Custom finishes available
 Spring assist built in rosette
 Passage, privacy, dummy, multipoint, mortise hardware available
 Accommodates all standard and some custom backset dimensions
 A complete selection of other matching hardware may be available

Fusital | Door levers/Maniglie



Finish	Trim	Function
26	RP	
26D	RP	

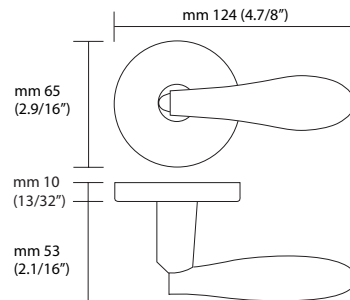
Finishes
 26= Polished Chrome
 26D= Satin Chrome

Functions
 PGE= passage
 PCY= privacy
 DMY= dummy
 ML-F= mortise lock
 MULTI-POINT TRIM

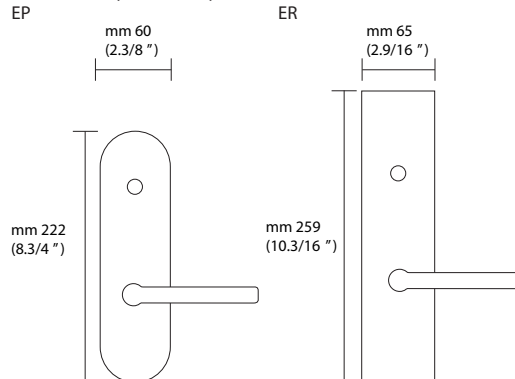
Trim Options
 RP= standard plain style rosette
 EP= plain style long escutcheon plates
 ER= rectangular style long escutcheon plates

Finish	Trim	Function
26	EP	
26D	EP	

Sizes /Misure



Escutcheon options /Opzioni



Valli&Valli USA Inc
 Architects and Designers Building
 964 Third Ave., Suite 563/Annex
 New York, NY 10155
 Tel. +1 (212) 326 8811
 Fax +1 (212) 326 8816
 Toll Free (877) 326 2565
 website: www.vallivalli-us.com

To order Valli&Valli products, informations should be specified in the same sequence as the example given:

- | | | | | | | |
|-----------------------------|-----------------------------|---------------------------|-----------------------|------------------------|----------------------------|--|
| 1.Lever/Knob
HXXX | 2.Trim options
RT | 3.Function
ML F | 4.Finish
03 | 5.Handing
RH | 6.Backset
2-1/2" | 7.Miscellaneous
2-1/4" thick |
|-----------------------------|-----------------------------|---------------------------|-----------------------|------------------------|----------------------------|--|

For small rosette, please specify RS (45 mm rosette). RS pricing is the same as RP/RT pricing. Privacy RS also requires 105 RSP when ordering. RQ (2.9/16" rosette) for standard 2.1/8" cross bore.

Warehouse
 100 Commerce Way Suite 2
 Hackensack, NJ 07601
 Tel. +1 (973) 249 0085
 Fax +1 (973) 2490135