

# H 362 Serie CC Duemilanove

design Carlo Colombo



Material Brass/ Materiale Ottone



## Product Submittal

Custom finishes available  
 Spring assist built in rosette  
 Passage, privacy, dummy, multipoint, mortise hardware available  
 Accommodates all standard and some custom backset dimensions  
 A complete selection of other matching hardware may be available



Fusital | Door levers/Maniglie

Finish		
26	RP	RQ
26D	RP	RQ

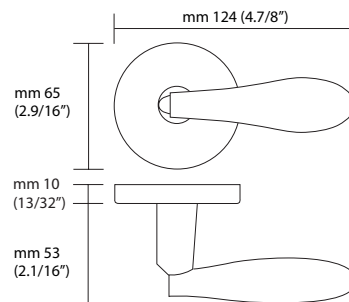
**Finishes**  
 26= Polished Chrome  
 26D= Satin Chrome

**Functions**  
 PGE= passage  
 PCY= privacy  
 DMY= dummy  
 ML-F= mortise lock  
 MULTI-POINT TRIM

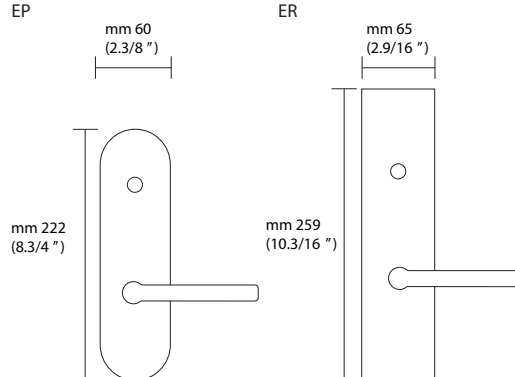
**Trim Options**  
 RP= standard plain style rosette  
 EP= plain style long escutcheon plates  
 ER= rectangular style long escutcheon plates

Finish		
26	EP	ER
26D	EP	ER

### Sizes /Misure



### Escutcheon options /Opzioni



Valli&Valli USA Inc  
 Architects and Designers Building  
 964 Third Ave., Suite 563/Annex  
 New York, NY 10155  
 Tel. +1 (212) 326 8811  
 Fax +1 (212) 326 8816  
 Toll Free (877) 326 2565  
 website: www.vallivalli-us.com

To order Valli&Valli products, informations should be specified in the same sequence as the example given:

- |                             |                             |                           |                       |                        |                            |  |
|-----------------------------|-----------------------------|---------------------------|-----------------------|------------------------|----------------------------|--|
| <b>1.Lever/Knob</b><br>HXXX | <b>2.Trim options</b><br>RT | <b>3.Function</b><br>ML F | <b>4.Finish</b><br>03 | <b>5.Handing</b><br>RH | <b>6.Backset</b><br>2-1/2" | <b>7.Miscellaneous</b><br>2-1/4" thick |
|-----------------------------|-----------------------------|---------------------------|-----------------------|------------------------|----------------------------|--|

For small rosette, please specify RS (45 mm rosette). RS pricing is the same as RP/RT pricing. Privacy RS also requires 105 RSP when ordering. RQ (2.9/16" rosette) for standard 2.1/8" cross bore.

Warehouse  
 100 Commerce Way Suite 2  
 Hackensack, NJ 07601  
 Tel. +1 (973) 249 0085  
 Fax +1 (973) 2490135