

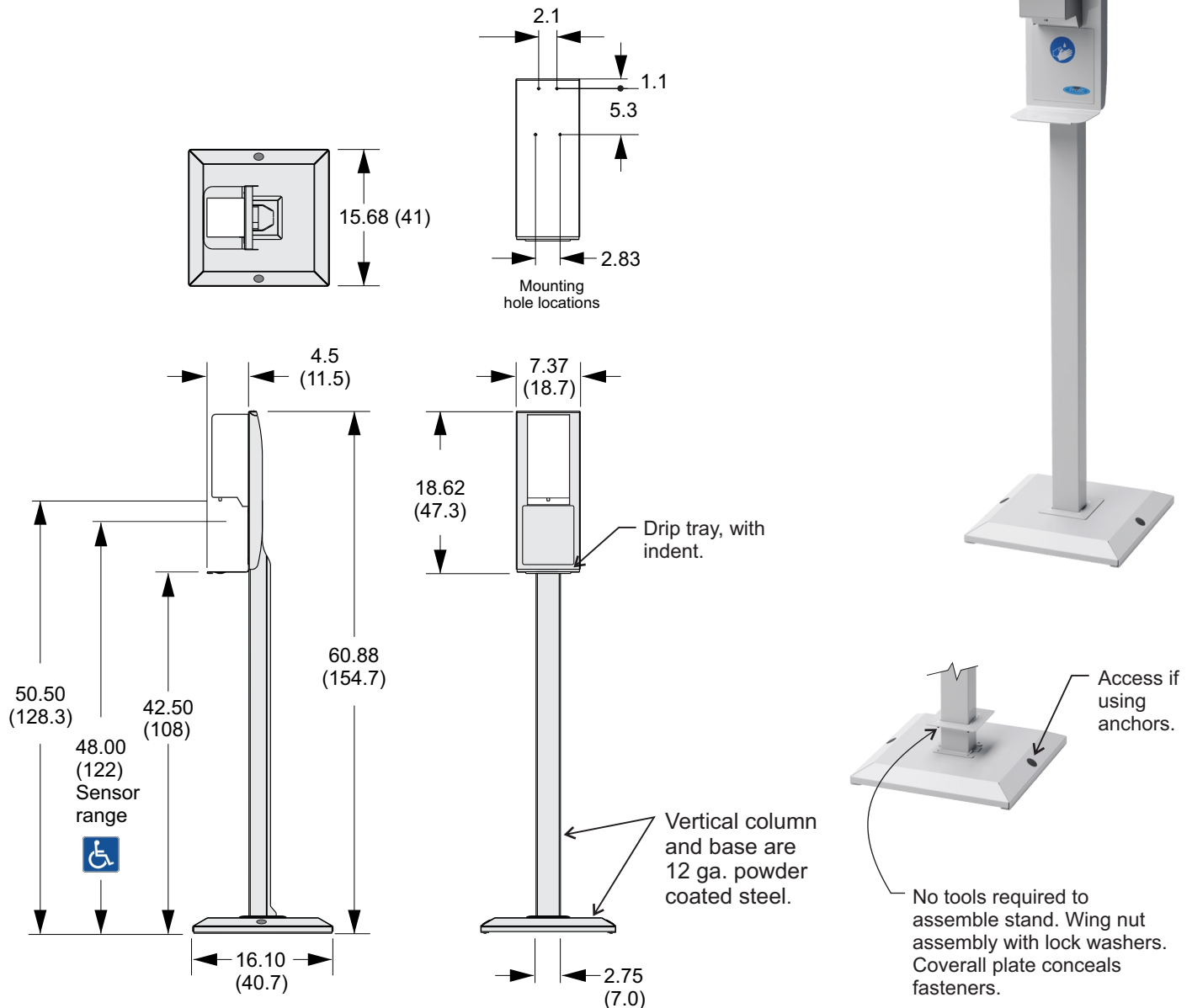


Hand Sanitizer Stand

Code 1600: Hand Sanitizer Mounting Stand, grey powder coat finish.

Code 714-S: Touch free soap/sanitizer dispenser.

Overall dimensions in inches (centimetres in brackets)



Specifications

- Site Location:**
- Ideal for the flexible placing at entrances or high traffic areas.
- Features:**
- All steel construction.
 - All steel 12 gauge pedestal base, provides maximum stability.
 - Drip tray with indent.
 - Sensor area is at ADA height requirement.
 - Entire base, column and dispenser plate can be assembled with no tools. Dispenser can be attached with self adhesive tape or mounting screws (both are provided). No wrenches required.
 - Base has nylon glides for indoor use, has provision for anchoring when used outdoors.
 - Universal mounting plate allows for use with many major sanitizer dispensers.