

# INSTALLATION INSTRUCTIONS

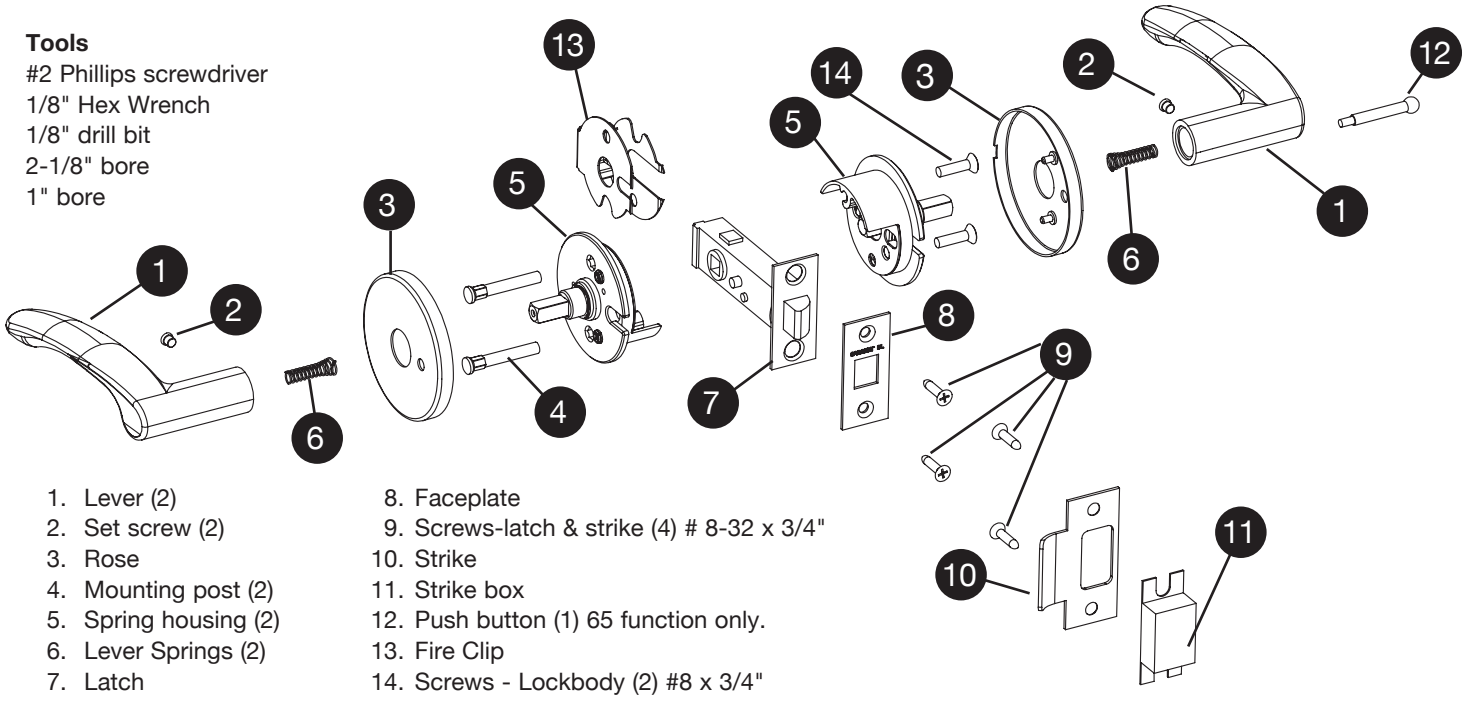
## DL LINE LEVER LOCK (Patents Pending)

**SARGENT**  
**ASSA ABLOY**

For installation assistance, contact SARGENT at 800-727-5477 • www.sargentlock.com

### Tools

- #2 Phillips screwdriver
- 1/8" Hex Wrench
- 1/8" drill bit
- 2-1/8" bore
- 1" bore

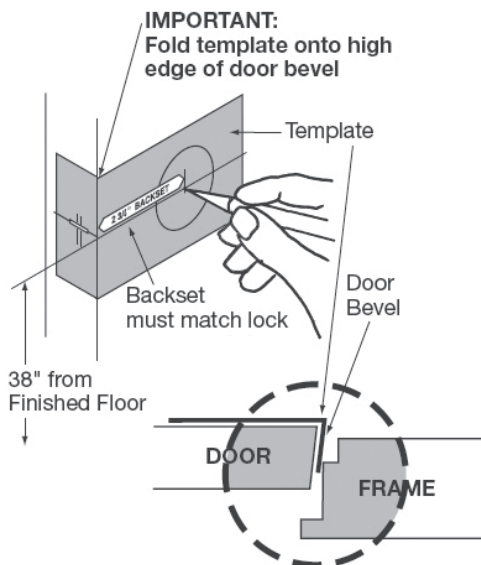


- |                       |  |
|-----------------------|--|
| 1. Lever (2)          | 8. Faceplate                               |
| 2. Set screw (2)      | 9. Screws-latch & strike (4) # 8-32 x 3/4" |
| 3. Rose               | 10. Strike                                 |
| 4. Mounting post (2)  | 11. Strike box                             |
| 5. Spring housing (2) | 12. Push button (1) 65 function only.      |
| 6. Lever Springs (2)  | 13. Fire Clip                              |
| 7. Latch              | 14. Screws - Lockbody (2) #8 x 3/4"        |

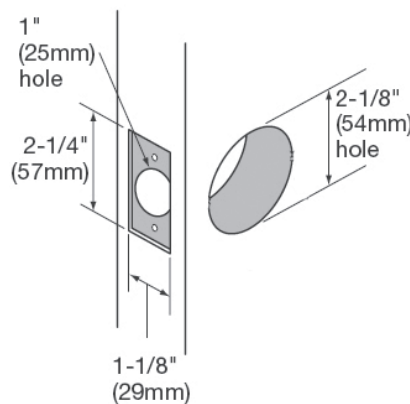
## Door Preparation

- Hollow Metal Doors should be properly reinforced for lock support. If support is not provided, contact door manufacturer.
- For all metal door preparations, use 7 line template (A7240) for reference
- For all wood door preparations, use template A6719 (Except for functions DLU93 / DLU94 which uses template A7931)

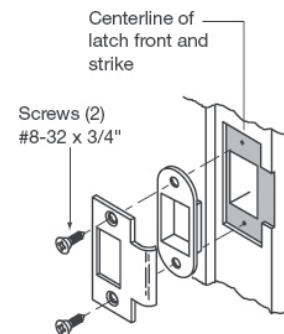
### • Mark and Drill Holes



### • Final Door Prep



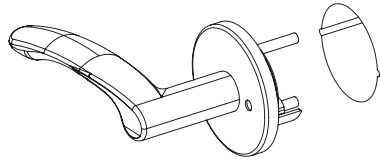
### • Frame Prep for Strike



Copyright © 2008, 2009, 2012, Sargent Manufacturing Company, an ASSA ABLOY Group company. All rights reserved. Reproduction in whole or in part without the express written permission of Sargent Manufacturing Company is prohibited.

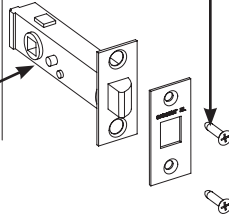
# 1 Latch Installation

Note: These instructions are also used for Passage Function DLU15-3



Note: For the DLU65, the threaded hole on locking piece must be toward the inside of the door, so the Push Button can be threaded into it (as shown on other side)

Install loosely;  
Tighten after step #2  
Screws  
(2) #8-32 x 3/4"



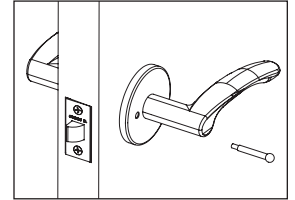
# 2

Screws  
(2) #8 x 3/4"

**IMPORTANT**  
Test for proper operation before closing door

Scalp to be removed with flat headed screwdriver at notch

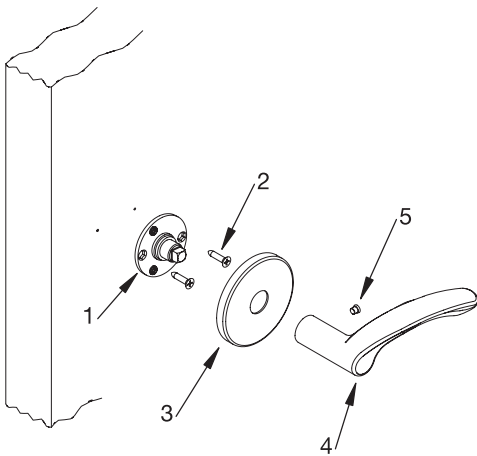
**NOTE:**  
For square rose installation, see page 3.



## Installation of Dummy Trim

### 1 Install DLU93

#### INSTALL DLU93



PARTS LIST DESCRIPTION

- 1. MOUNTING PLATE ASSEMBLY
- 2. COMBO SCREWS (2)
- 3. ROSE
- 4. LEVER
- 5. SETSCREW

1. Prepare Door

- A. Select proper backset on template A7931 and locate on door 38" from finished floor
- B. Center punch 2 places as noted on template

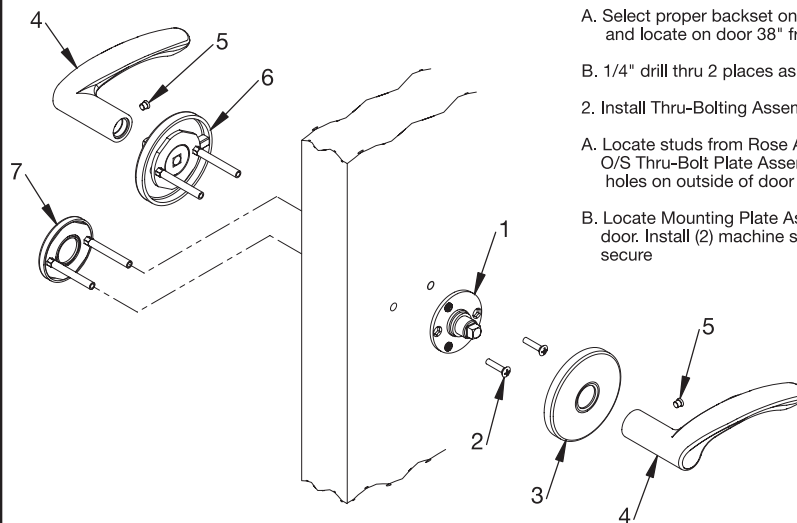
2. Install Mounting Plate Assembly

- A. Locate holes in mounting plate assembly over center punch marks. Note: Location of set screw
- B. Install (2) combo screws and tighten to secure mounting plate assembly to door

3. Install Rose & Lever

- A. Install rose onto mounting plate assembly and rotate clockwise to tighten
- B. Install lever onto spindle. Insert setscrew into hole in lever and tighten

#### INSTALL TB-DLU93 & DLU94



94 FUNCTION  
PARTS LIST DESCRIPTION

- 1. MOUNTING PLATE ASSEMBLY
- 2. #6 X 3/4" MACHINE SCREWS (2)
- 3. ROSE
- 4. LEVER (2)
- 5. SETSCREW (2)
- 6. ROSE ASSEMBLY

TB- 93 FUNCTION  
PARTS LIST DESCRIPTION

- 1. MOUNTING PLATE ASSEMBLY
- 2. #6 X 3/4" MACHINE SCREWS (2)
- 3. ROSE
- 4. LEVER
- 5. SETSCREW
- 7. OUTSIDE THRU-BOLT PLATE ASSEMBLY

1. Prepare Door

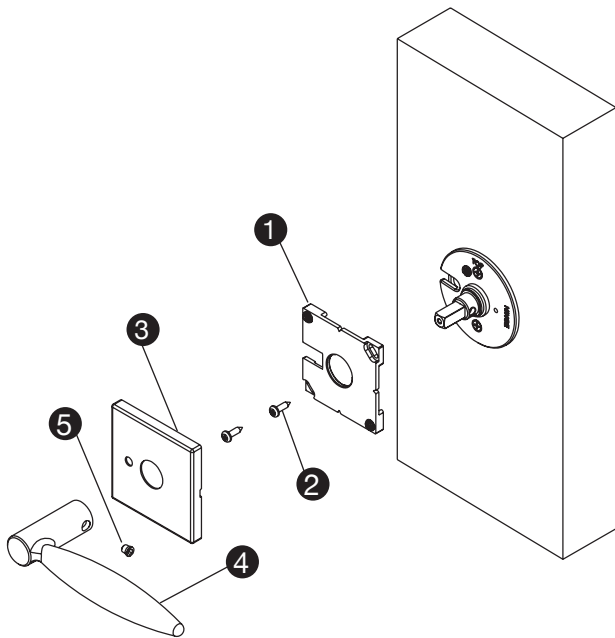
- A. Select proper backset on template A7931 and locate on door 38" from finished floor
- B. 1/4" drill thru 2 places as noted on template

2. Install Thru-Bolting Assembly

- A. Locate studs from Rose Assembly (TB-DLU93) or O/S Thru-Bolt Plate Assembly (DLU94) into 1/4" drill holes on outside of door
- B. Locate Mounting Plate Assembly on inside of door. Install (2) machine screws and tighten to secure

3. Install Rose & Lever

- A. Install rose onto mounting plate assembly and rotate clockwise to tighten
- B. Install lever onto spindle. Insert setscrew into hole in lever and tighten. Repeat process for Outside Lever (94 Function only)

**Parts List Description:**

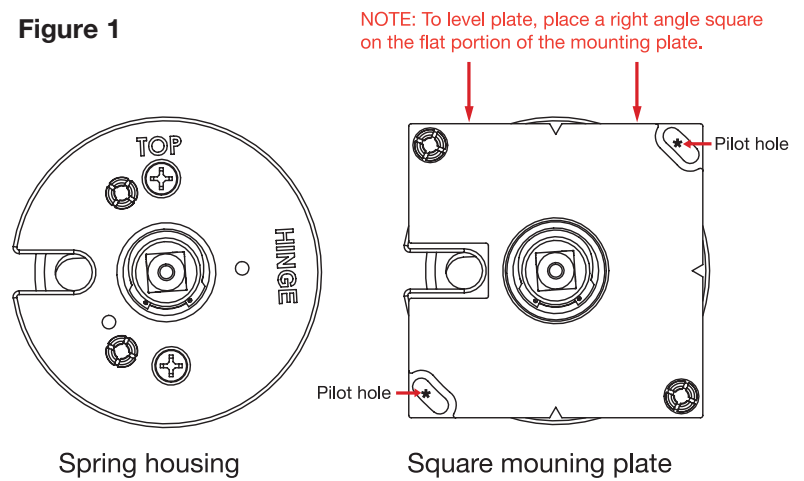
1. Square mounting plate
2. #6 x 3/4" Machine Screws (2)
3. Rose
4. Lever (2)
5. Set Screw (2)

**Tools Needed:**

1. Drill
2. Pilot bit
3. Phillips screw driver
4. Right angle square

1. Install lock per instructions on page 2
  - a. Square rose installation begins after spring housing installation
2. Position square mounting plate over spring housing as seen in Figure 1
3. Drill two centered pilot holes for the #6 mounting screws in the upper right and lower left portions of the square mounting plate
4. Loosely attach mounting plate to both sides of the door with screws
5. Square top surface of mounting plate to edge of door
  - a. **NOTE:** The right angled square **MUST** be on the flat surface of the square mounting plate for proper leveling
6. Tighten mounting screws
7. Press rose onto mounting plate, fasten lever with set screw

Figure 1



Scan to see a video of this installation step.

