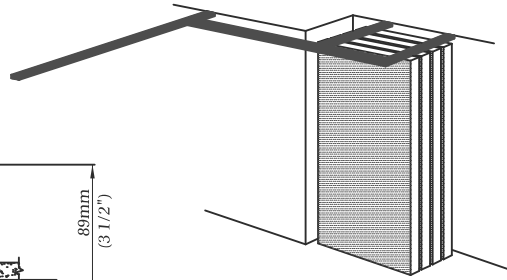
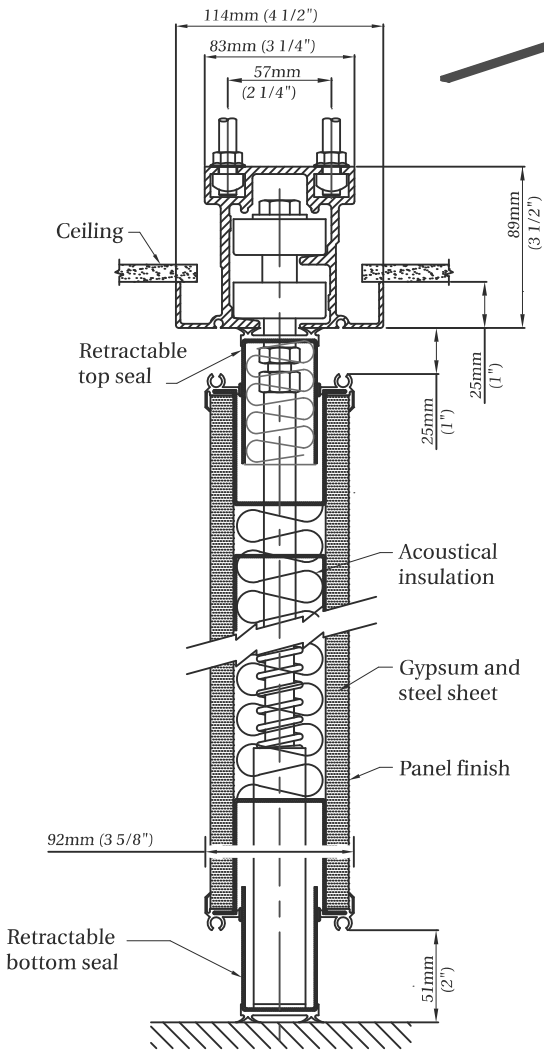


# OPERABLE PARTITIONS

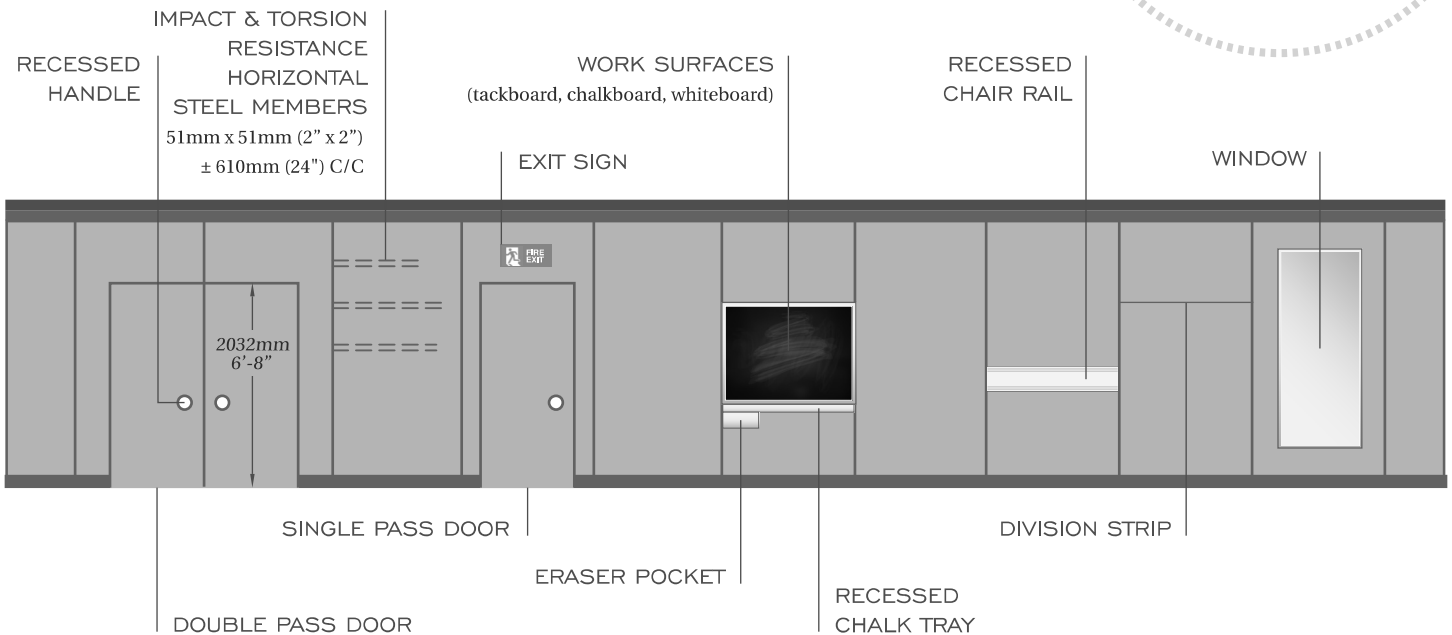
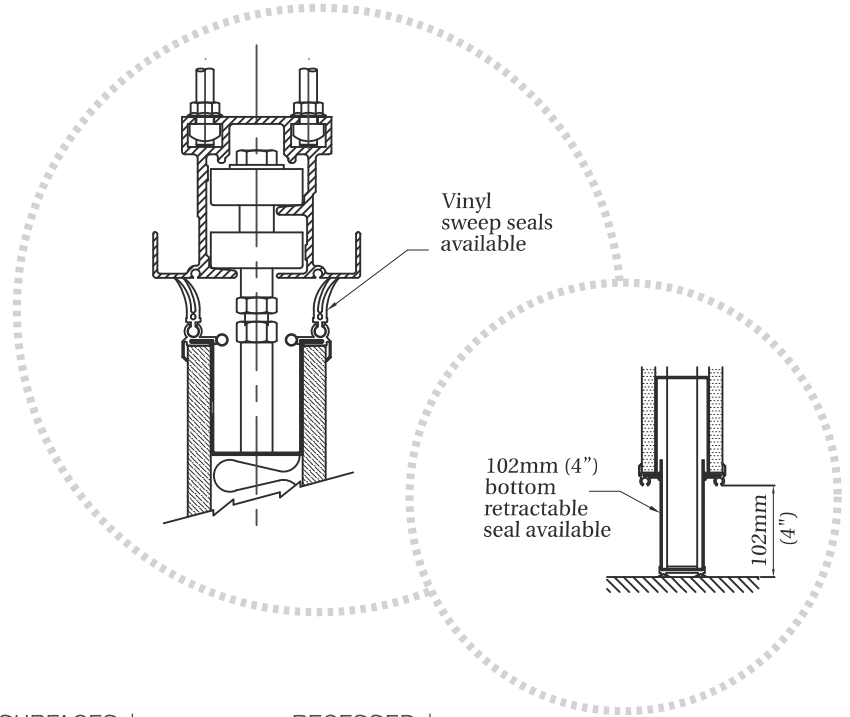
5600 SERIES - OMNIDIRECTIONAL  
 AVAILABLE STC: 43, 47, 49, 50, 52, 53, 54

# CORFLEX



## FEATURES

- Manual operation
- Steel frames available in: beige, grey or black
- Retractable seals at top and bottom of panels
- No floor track



IMPACT & TORSION  
 RESISTANCE  
 HORIZONTAL  
 STEEL MEMBERS  
 51mm x 51mm (2" x 2")  
 ± 610mm (24") C/C

WORK SURFACES  
 (tackboard, chalkboard, whiteboard)

RECESSED  
 CHAIR RAIL

WINDOW

EXIT SIGN

SINGLE PASS DOOR

DIVISION STRIP

ERASER POCKET

RECESSED  
 CHALK TRAY

DOUBLE PASS DOOR

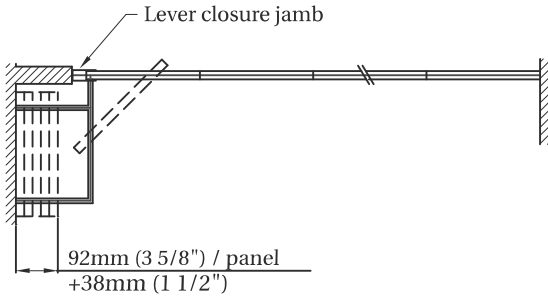
2032mm  
 6'-8"

# OPERABLE PARTITIONS

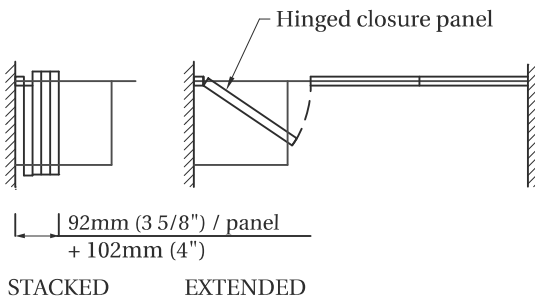
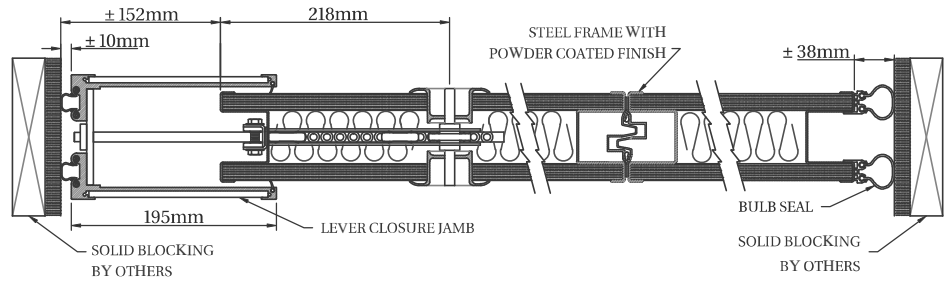
5600 SERIES - OMNIDIRECTIONAL  
 AVAILABLE STC: 43, 47, 49, 50, 52, 53, 54

# CORFLEX

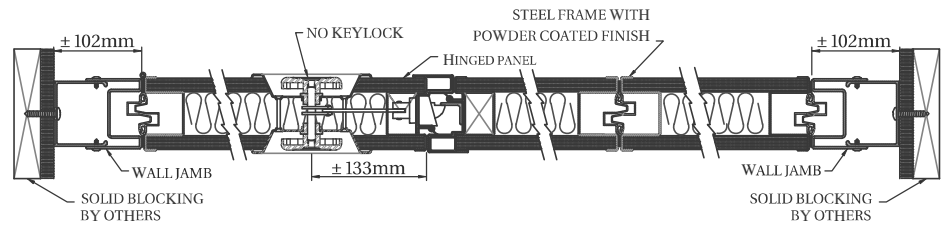
## CLOSURE OPTIONS



## EXPANDABLE PANEL CLOSURE



## HINGED PANEL CLOSURE

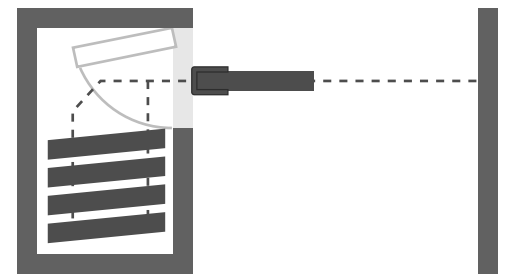
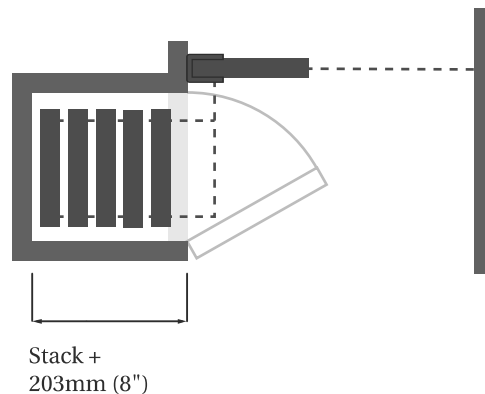
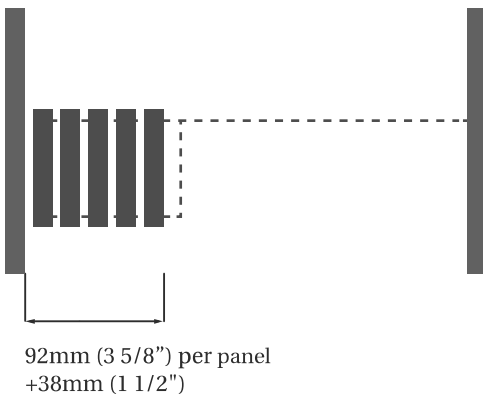


## LAYOUT OPTIONS

STACK FORMULAS  
 Max. panel width  
 1220mm (48")

TYPE I POCKET DOOR  
 Pocket width =  
 panel width + 400mm (15 3/4")

TYPE I ACOUSTICAL POCKET DOOR  
 Pocket door width =  
 762mm (30")



# OPERABLE PARTITIONS

5600 SERIES - OMNIDIRECTIONAL  
 AVAILABLE STC: 43, 47, 49, 50, 52, 53, 54

# CORFLEX

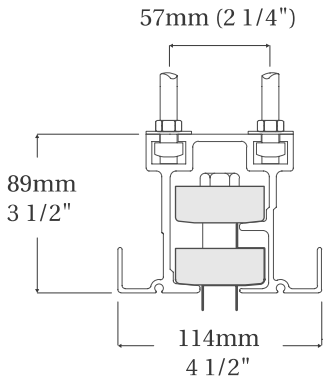
## INDIVIDUAL PANELS

	SERIES 5600						
STC	43	47	49	50	52	53	54
KG PER M <sup>2</sup>	30,0	34,2	43,1	48,9	56,0	58,0	58,0
LB PER FT <sup>2</sup>	6,1	7,0	8,8	10,0	11,4	11,9	11,9

## TRACKS AND SUSPENSIONS

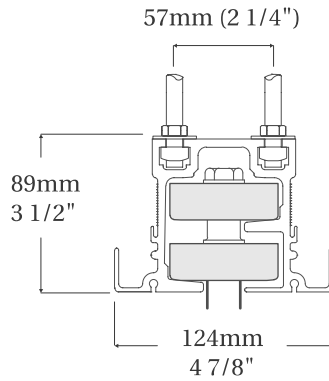
### #26 TRACK SYSTEM

**Individual panels**  
 Maximum load per panel:  
 227 kg (500 lb)



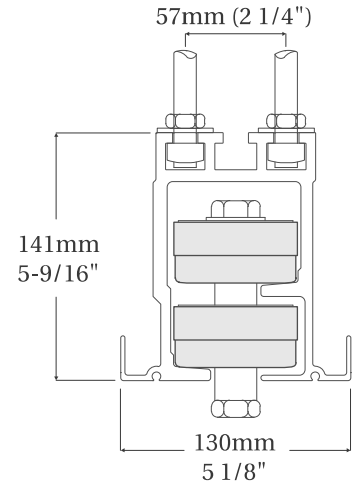
### #36 TRACK SYSTEM

**Individual panels**  
 Maximum load per panel:  
 455 kg (1,000 lb)



### #57 TRACK SYSTEM

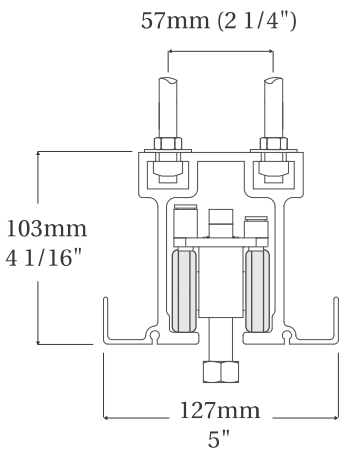
**Individual panels**  
 Maximum load per panel:  
 682 kg (1,500 lb)



## CURVED TRACKS AND CARRIERS

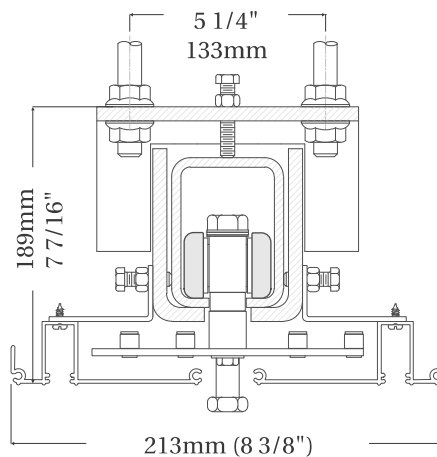
### #28 TRACK SYSTEM

**Individual panels**  
 Maximum load per panel:  
 545 kg (1,200 lb)



### #11 TRACK SYSTEM

**Individual panels**  
 Steel  
 Maximum load per panel:  
 1,364 kg (3,000 lb)

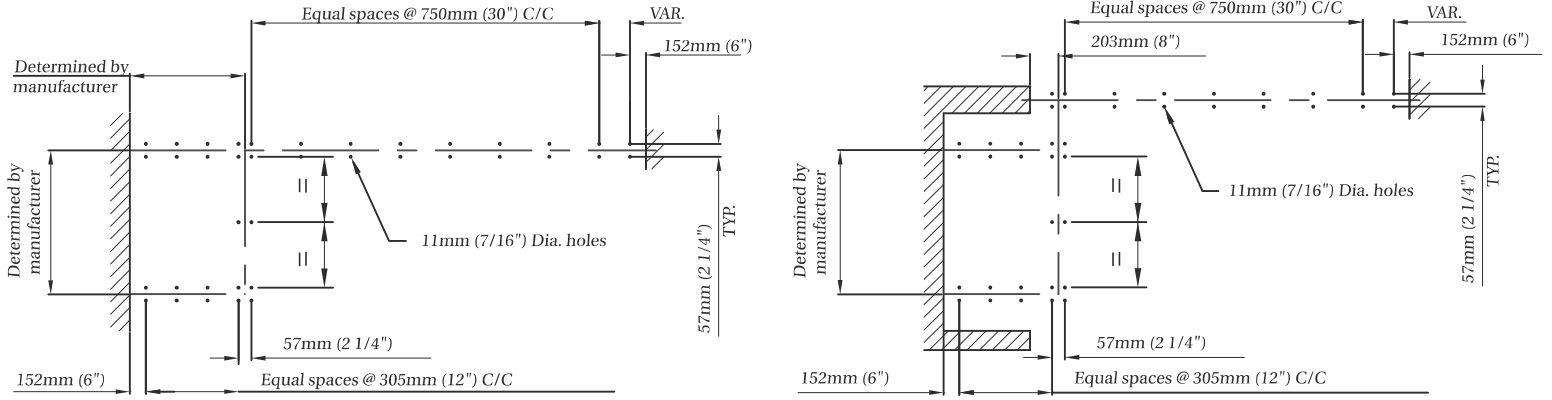


# OPERABLE PARTITIONS

5600 SERIES - OMNIDIRECTIONAL  
 AVAILABLE STC: 43, 47, 49, 50, 52, 53, 54

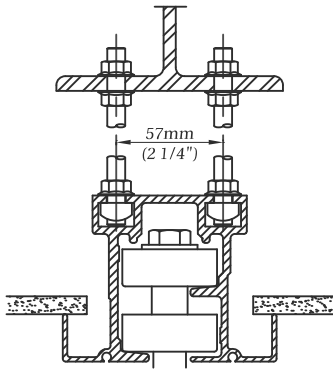
# CORFLEX

## TYPICAL HANGER ROD LAYOUT

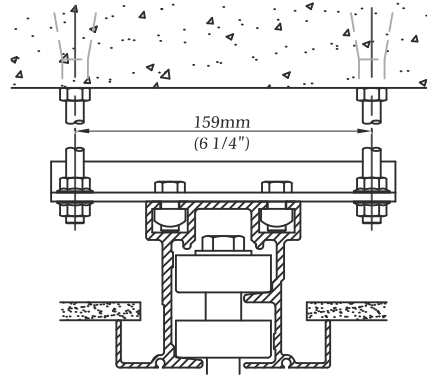


## TRACK AND HANGING DETAILS

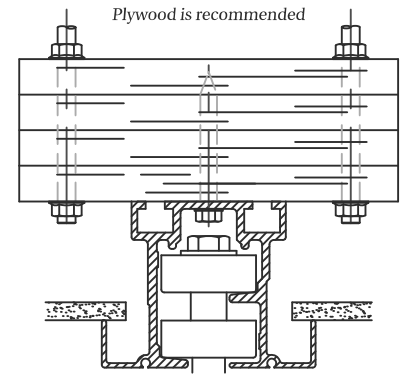
STEEL BEAM



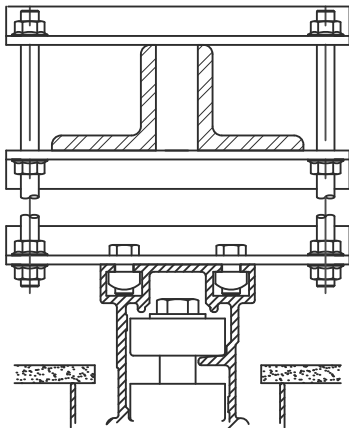
CONCRETE SLAB



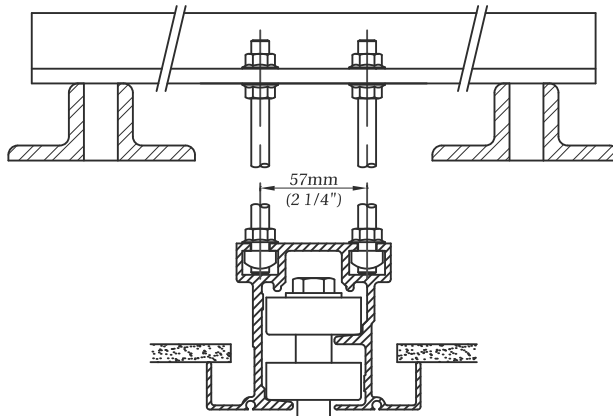
WOODEN BEAM



CENTERED ON ONE JOIST



BETWEEN TWO JOISTS



C-CLAMPS ON JOIST

