

- Tank Type Vertical
- Surface-Mounted
- ADA Compliant

**Bradex<sup>®</sup>**

## Product Materials

**BODY:** 20 gauge stainless steel with exposed surfaces in architectural satin finish.

**BACK:** 20 gauge stainless steel; heliarc welded to the body.

**WALL PLATE:** stainless steel.

**SOAP VALVE:** black ABS plastic mechanism.

## Capacity

40-oz. liquid soap.

## Operation

Push-in valve dispenses measured amount of vegetable or coconut oil liquid soaps, synthetic detergents, and antiseptic solutions with less than 5 lbs. of force. Sight gauge indicates refill time. Locked filler top opens with special key provided.

- Bradley liquid soap valves operate best with any vegetable oil or coconut oil hand soap having a 10–15% soap concentration.

## Installation

Verify all rough-in dimensions prior to installation. Secure separate mounting bracket to wall. Slide dispenser into place and secure locking screw through filler hole.

## Guide Specification

Surface-mounted liquid soap dispenser shall be fabricated of 20 gauge satin finish stainless steel. Dispenser shall have completely concealed mounting, vandal-resistant filler hole cover and sight gauge. Push-in corrosion-resistant liquid soap valve. Capacity: 40-oz. liquid soap. Requires less than 5 lbs. of force to dispense soap.

**Overall dimensions:** 4<sup>13</sup>/<sub>16</sub>"W x 8<sup>3</sup>/<sub>16</sub>"H x 2<sup>7</sup>/<sub>8</sub>"D.

## ADA Compliant

- Consult local and national accessibility codes for proper installation guidelines.
- Conformity and compliance to local and national codes is the responsibility of the installer.

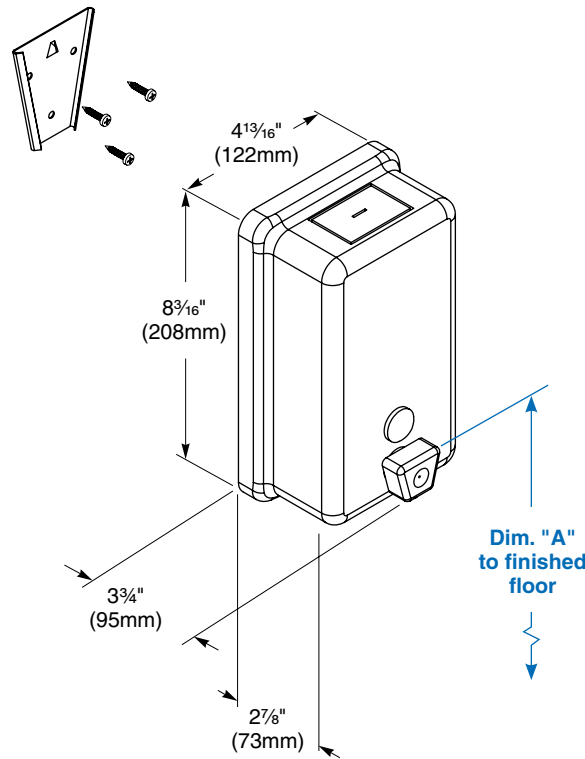


Orders composed of products indicated as **Bradex<sup>®</sup>** will be available to ship in three days after receipt of order at the factory. There is no pricing penalty for this service from Bradley.

Page 1 of 2  
10/22/2012  
This information is subject to change without notice.  
Bradley\_SoapDispenser\_6563

© 2014 Bradley  
P.O. Box 309, Menomonee Falls, WI 53052-0309  
800 BRADLEY (800 272 3539) +1 262 251 6000  
bradleycorp.com

**Dimensions**



<b>Dim. "A" Key Surface:</b>	For Dim. "A"	Top of Unit	Bottom of Unit
Push button top to finished floor	40" (1016mm)	46 1/4" (1175mm)	38" (965mm)
	38" (965mm)	44 1/4" (1124mm)	36" (914mm)
	36" (914mm)	42 1/4" (1073mm)	34" (864mm)
	34" (864mm)	40 1/4" (1022mm)	32" (813mm)
<b>Rough wall opening:</b>			
Surface Mount:	No rough wall opening, see overall dimensions		

Orders composed of products indicated as **Bradex**® will be available to ship in three days after receipt of order at the factory. There is no pricing penalty for this service from Bradley.