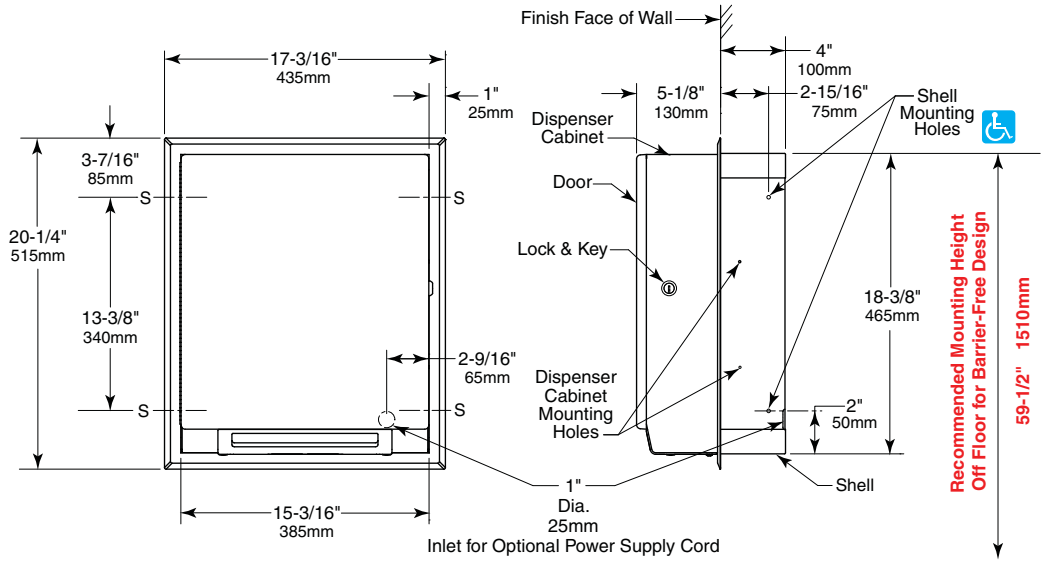




Technical Data

SEMI-RECESSED AUTOMATIC, UNIVERSAL ROLL PAPER TOWEL DISPENSER

B-29744



Rough Wall Opening
16" (405mm) wide
18-7/8" (480mm) high
4" (102mm) minimum
recessed depth

MATERIALS:

Cabinet — 18-8 S, type-304, heavy-gauge stainless steel. All-welded construction. Exposed surfaces have satin finish. Equipped with a tumbler lock keyed like other Bobrick washroom accessories.

Door — 18-8 S, type-304, 20-gauge (0.9mm) stainless steel with satin finish. Drawn, one-piece, seamless construction. Secured to cabinet with a full-length stainless steel piano-hinge.

Flange — 18-8 S, type-304, 22-gauge (0.8mm) stainless steel with satin finish. Drawn, one-piece, seamless construction.

Shell — 18-8 S, type-304, 22-gauge (0.8mm) stainless steel. All welded construction. Exposed surfaces have satin-finish.

Automatic Roll Towel Dispenser — Durable, high-impact resin materials. Accepts universal standard-core, non-perforated rolls 8" (205mm) wide, 8" (205mm) diameter. 800 ft (244 m) long. Dispenses one towel per dispense and can be set to dispense paper towels at three different lengths. Accommodates up to 3-1/2" (90mm) diameter stub roll with automatic transfer to full roll.

OPERATION:

Electronic sensor automatically dispenses towel when hands are placed under the towel opening. Dispenses universal, 1-1/2" to 2" (38 to 51mm) diameter cores, up to 8" (205mm) diameter, 8" (205mm) wide, non-perforated, non-proprietary rolls. Towel length can be set to 9" (230mm), 12" (305mm), 15" (380mm). Optional "Paper Saver" feature allows a shorter second sheet to dispense immediately after the first sheet. The "Paper Saver" feature has two second sheet length options: 25% shorter sheet length or 12.5% shorter sheet length. Dispense delay can be set to 1, 2 or 3 seconds. There is no delay when "Paper Saver" option is selected. LED light on dispenser blinks when battery needs to be changed. The battery pack power source, holds 4 "D" sized alkaline batteries (not furnished). Dispenser includes a 3-1/2" (90mm) diameter stub roll feature. When the stub roll is depleted, main roll automatically starts dispensing without the need to open the dispenser.

continued . . .

POWER REQUIREMENTS:

Dispenser is powered by 4, "D" size alkaline batteries (not furnished) or a 6-volt DC power supply. Power supply is an optional accessory: order Bobrick Part No. 3974-57. (For non-U.S. compatible plugs, order Part No. 3974-55).

INSTALLATION:

Provide framed rough wall opening 16" wide x 18 7/8" high (405 x 480mm). Minimum recessed depth required to finish face of wall is 4" (102mm). Allow clearance for construction features that may protrude into rough wall opening from opposite wall. Coordinate with mechanical engineer to avoid pipes, vents and conduits. If unit projects above top of wainscot, provide channel or other filler to eliminate gap between flange and finish face of wall. Mount the Shell in wall opening with shims between framing and the shell at four points indicated by an S, then secure the Shell with four #8 x 1-1/4" (4.2 x 32mm) flat-head sheet-metal screws provided. Care should be taken to ensure that the heads of the mounting screws do not protrude. For plaster or dry wall construction, provide concealed backing to comply with local building codes, then secure the Shell with sheet-metal screws. For other wall surfaces, provide fiber plugs or expansion shields for use with flat-head sheet-metal screws, or provide 1/8" (3mm) toggle bolts or expansion bolts. Unlock and open the door of the dispenser cabinet. Carefully slide the dispenser cabinet into the shell while supporting it from underneath with one hand. Attach dispenser cabinet to shell using the pre-drilled pilot holes in the shell and four #8 x 1/2" (4.2 x 13mm) sheet metal screws (provided).

Open battery cover at the front of the dispenser and install 4, "D" size alkaline batteries. Select sheet length, delay and "Paper Saver" mode using the switches to the right of the batteries. Load paper towel using the instructions on the dispenser.

Electrical supply for use with 6-volt DC power supply must be installed per applicable building codes.

SPECIFICATION:

Semi-recessed mounted automatic universal roll paper towel dispenser shall be type-304 stainless steel with all-welded construction; exposed surfaces shall have satin finish. Door shall be secured to cabinet with a full-length stainless steel piano-hinge and equipped with a concealed tumbler lock keyed like other Bobrick washroom accessories. No-touch dispenser, dispenses universal, 1-1/2" to 2" (38 to 51mm) diameter cores, up to 8" (205mm) diameter, 8" (205mm) wide, non-perforated, non-proprietary rolls. 800 ft (244 m) long. Dispenser automatically dispenses towel when hands are placed under the towel opening. Dispenser can be powered by 4 "D" size alkaline batteries or an optional 6-volt DC power supply. Equipped with switches that allow paper length to be set at 9" (230mm), 12" (305mm) or 15" (380mm), delay that can be set at 1, 2 or 3 seconds, and "Paper Saver" feature that provides a shorter second sheet with options of 25% shorter and 12.5% shorter. Blinking LED indicates if batteries need to be replaced. Automatic transfer shall dispense stub roll up to 3-1/2" (90mm) diameter before new roll is dispensed.

Semi-Recessed Automatic Universal Roll Paper Towel Dispenser shall be Model B-29744 of Bobrick Washroom Equipment, Inc., Clifton Park, New York; Jackson, Tennessee; Los Angeles, California; Bobrick Washroom Equipment Company, Scarborough, Ontario; Bobrick Washroom Equipment Pty. Ltd., Australia; and Bobrick Washroom Equipment Limited, United Kingdom.