



TECHNICAL DATA
FROM
Anemostat[®]
DOOR PRODUCTS
A MESTEK COMPANY

P.O. BOX 4938 • 1220 WATSONCENTER ROAD
CARSON, CA 90745-4206
(310) 835-7500 • FAX (310) 835-0448

e-mail: door@anemostat.com • website: www.anemostat.com

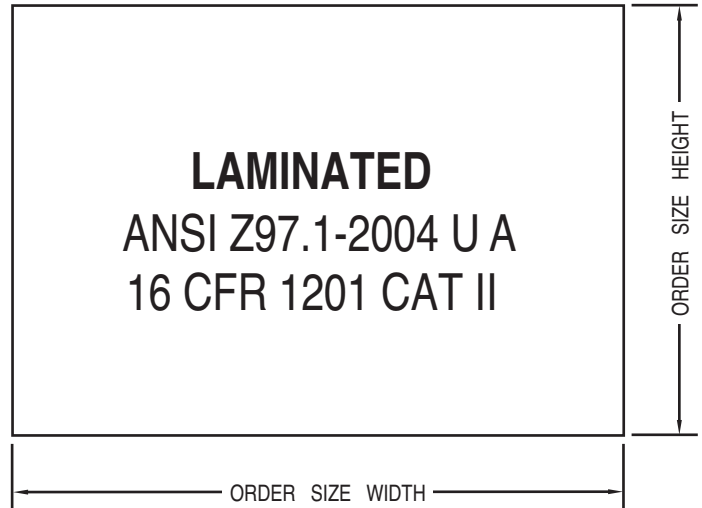
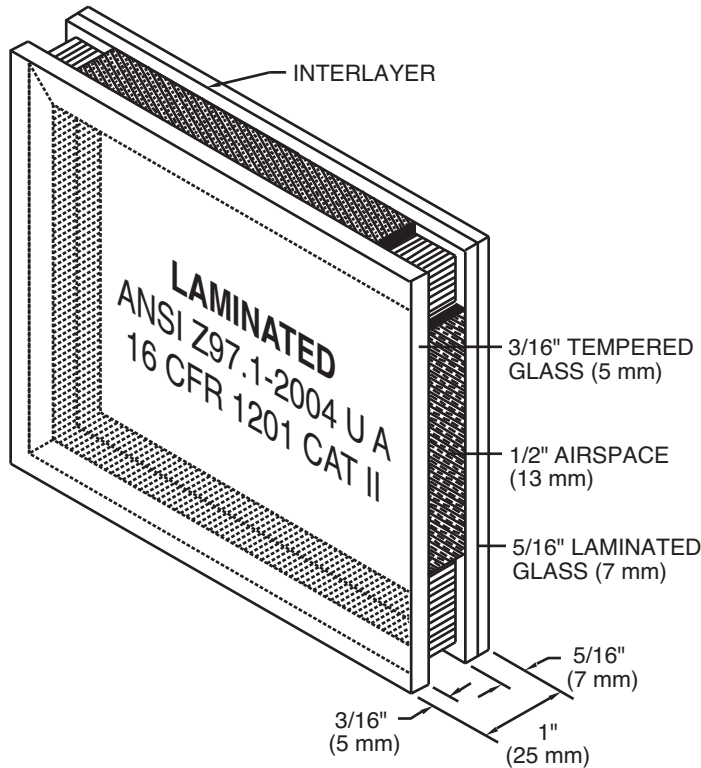
Laminated IGU
1" (25mm) INSULATED

NOT
FIRE RATED



CATEGORY II IMPACT/SAFETY RATED
ANSI Z97.1 2004 U A

DETAIL DRAWING



STANDARD PRODUCT FEATURES

- **MATERIAL:** 3/16" clear Tempered Glass is heat treated strengthened glass which is stronger than ordinary float glass. 5/16" Laminated Glass is two sheets of glass with an interlayer
- **INSTALLATION:** Laminated IGU shall be glazed into the appropriate framing with 1/16" glazing tape (supplied loose) to both sides of glass.
- **STRENGTH:** It has bending and impact strengths which are 3 to 5 times higher than those of annealed glasses of the same thickness.
- **THERMAL SHOCK STRENGTH:** Is approximately three times as resistant to rapid temperature changes as annealed glass.
- **SAFETY:** Tempered Glass breaks into small particles upon impact, preventing serious injury, unlike annealed glass which can break into large, sharp pieces. When Laminated Glass breaks numerous cracks appear but glass fragments tend to adhere to the interlayer.
- **USES:** For applications where energy codes require an insulated unit and for interior applications for special needs such as sound reduction in non-fire rated doors and sidelites.

OPTIONAL FEATURES

- **COLORS:** Available in Bronze, Gray, Graylite, and Obscure.
- **SIZES:** Customized shapes to fit almost any shape vision frame. CANNOT be cut after manufacturing.

IMPACT / SAFETY RATINGS

- Meets ANSI Z97.1-2004 U A and CPSC 16 CFR 1201 Category II, Impact Test Standard.

SOUND RATINGS with LoPro-STC

- **LoPro-STC with Laminated IGU:** STC - 42 (Safety Rated Only)
- **TESTED SIZE:** 24" X 36" CUTOUT / ASSEMBLY
- **TESTED IN ACCORDANCE WITH:** ASTM E90-09 and ASTM E2235-04. STC measurements determined in accordance with ASTM E413-04. Testing conducted at Western Electro - Acoustic Laboratory, Santa Clarita, CA.

CONFORMS TO THE FOLLOWING

- ASTM C1036
- ASTM C1172
- ASTM C1048

Job Name & Location	Submitted by

For Most Current Info, Consult Factory or check our website, www.anemostat.com