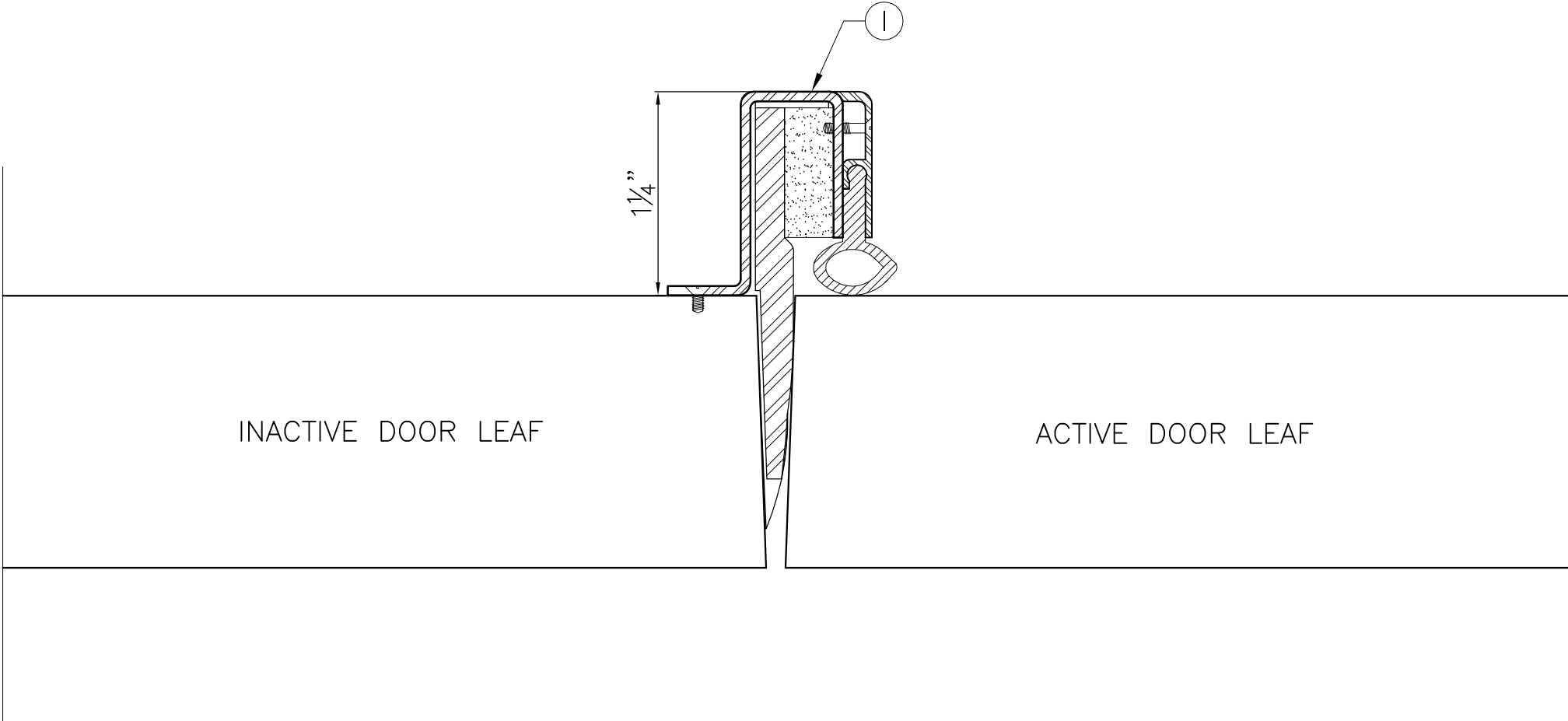


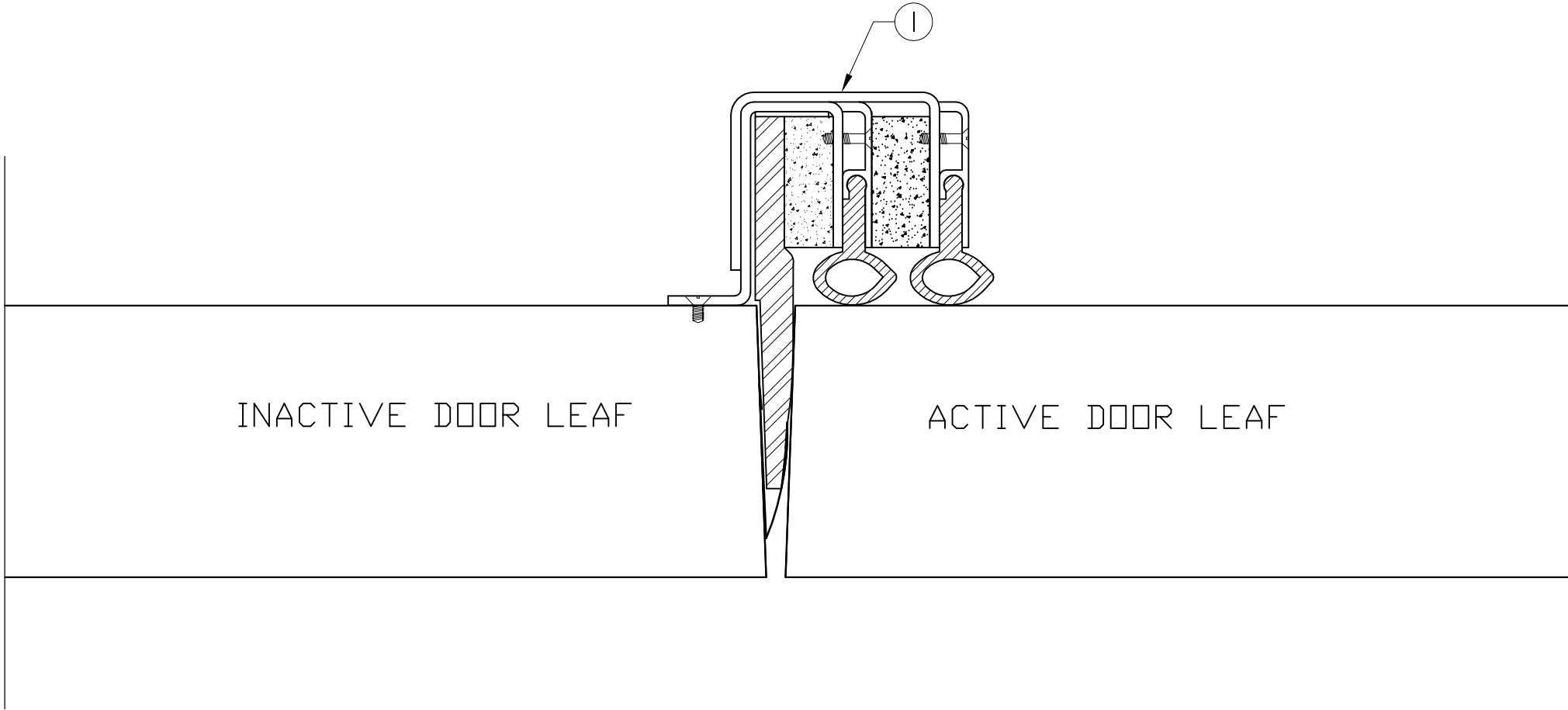
LEGEND:

- 1. ACOUSTIC ASTRAGAL FASTENED TO THE PUSH SIDE OF THE INACTIVE DOOR LEAF.



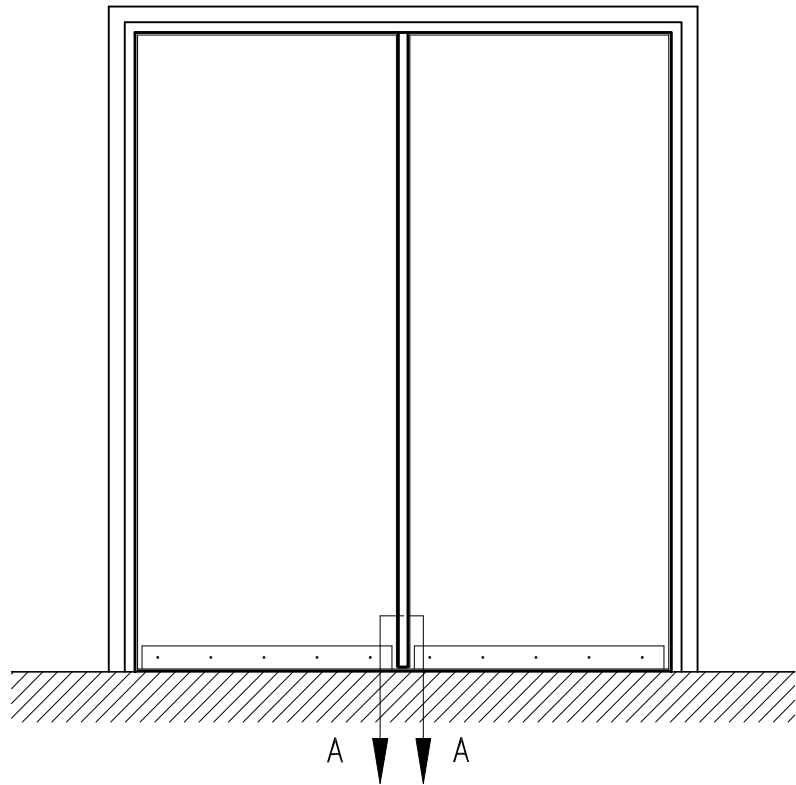
LEGEND:

- 1. ACOUSTIC ASTRAGAL FASTENED TO THE PUSH SIDE OF THE INACTIVE DOOR LEAF.

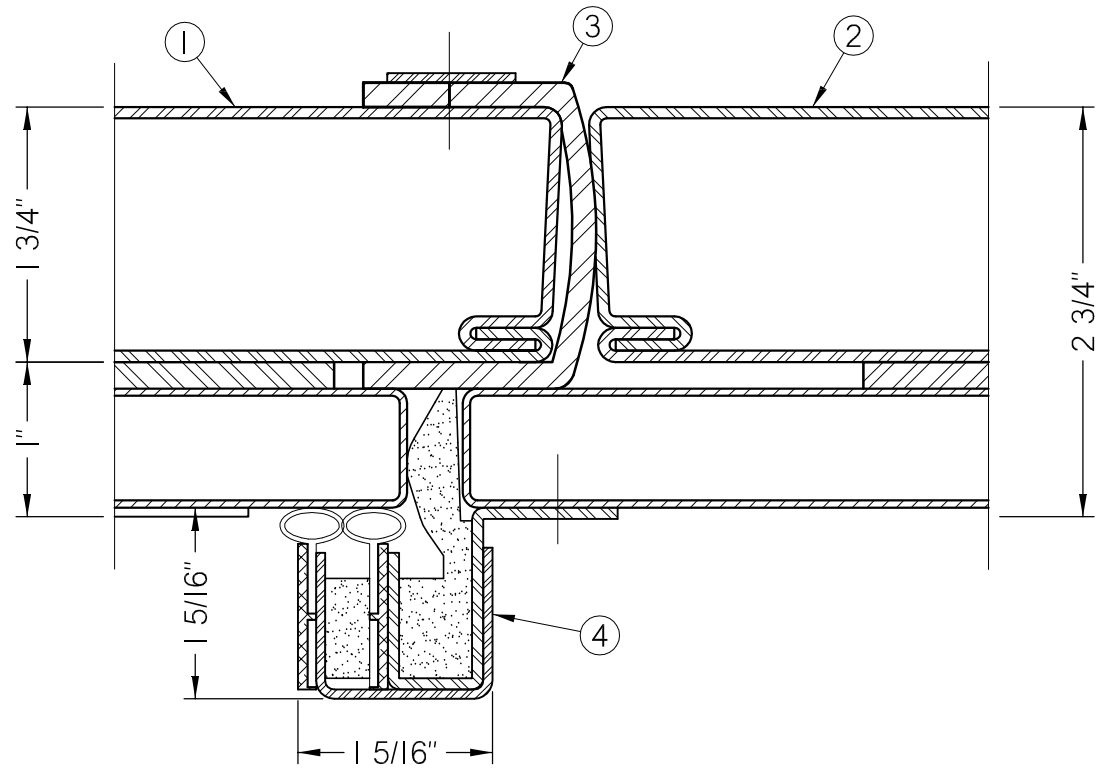


INACTIVE DOOR LEAF

ACTIVE DOOR LEAF



A A
 ↓ ↓
 ELEVATION



SECTION A-A

LEGEND:

1. ACTIVE DOOR LEAF.
2. INACTIVE DOOR LEAF.
3. NEOPRENE COMPENSATING SEAL TO EXTEND BETWEEN DOORS. FIX TO PULL SIDE FACE WITH FLAT STOCK & COUNTERSUNK SCREWS AT FACTORY. SECURE BENEATH PULL SIDE PANEL.
4. ACOUSTIC ASTRAGAL FASTENED TO THE PUSH SIDE OF THE INACTIVE DOOR LEAF.

NOTE:

ALL ASTRAGAL SEALS TO BUTT INTO FRAME SEALS AT HEAD AND EXTEND TO THE BOTTOM OF THE DOOR.



TYPICAL PAIRED STEEL DOOR ACOUSTIC ASTRAGAL DETAIL FROM STC 54 TO STC 59

JOB NO:

SHEET: 1

OF: 1