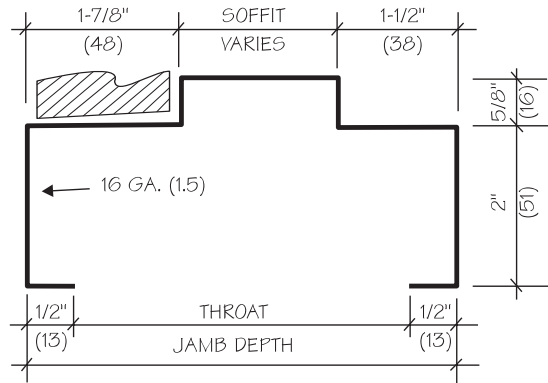
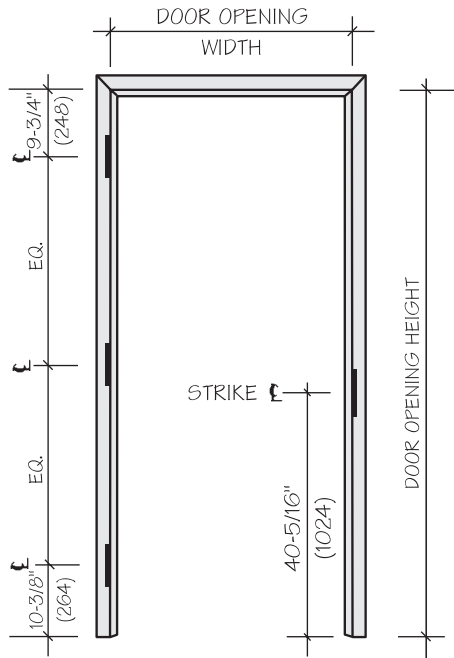
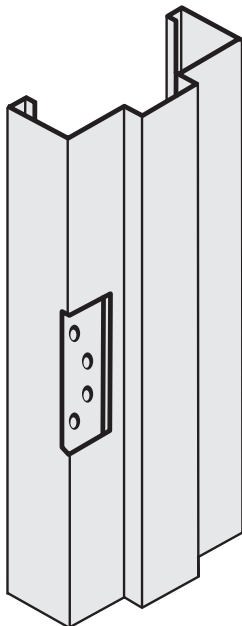


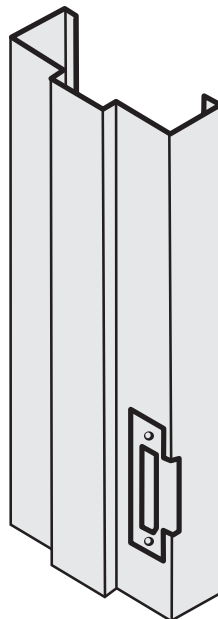
"AS" SERIES STANDARD & ENGINEERED FRAMES



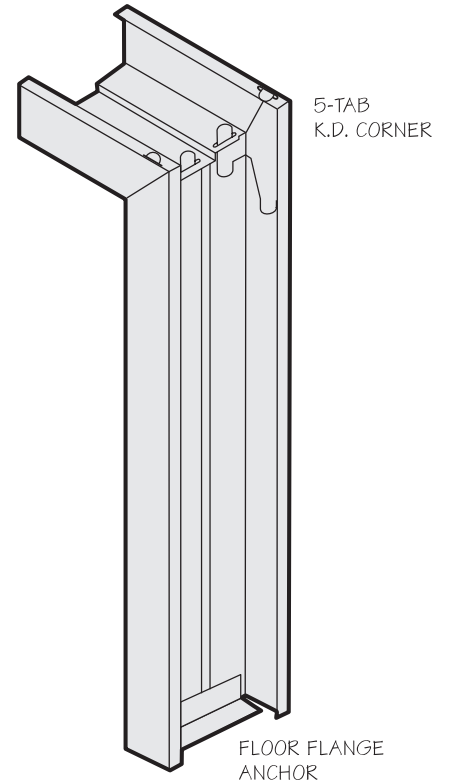
	MODEL	JAMB DEPTH	THROAT	SOFFIT
STD.	AS 4-3/4"	4-3/4" (121)	3-3/4" (95)	1-3/8" (35)
	AS 5-3/4"	5-3/4" (146)	4-3/4" (121)	2-3/8" (60)
	AS 6-3/4"	6-3/4" (172)	5-3/4" (146)	3-3/8" (86)
	AS 8-3/4"	8-3/4" (222)	7-3/4" (196)	5-3/8" (136)
ENG.	MINIMUM	4-1/2" (114)	3-1/2" (89)	1-1/8" (28)
	MAXIMUM	12-1/4" (311)	11-1/4" (286)	8-7/8" (225)



4-1/2" (114) HINGE
PREPARATION—
8 GA. (4.3) REINF.
WITH DUST BOX



4-7/8" (124) STRIKE
PREPARATION
[ANSI A115.1]
14 GA. (2.0) REINF.
WITH DUST BOX.



PRINTED IN CANADA

PROJECT:

DATE:

SH: OF

LH

SWING KEY

RH