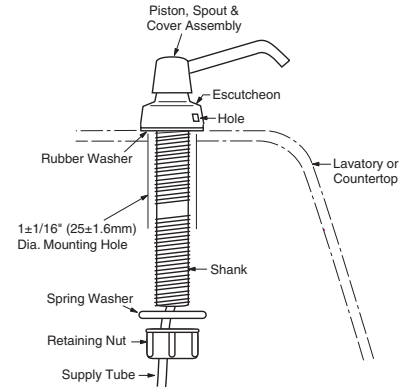


INSTRUCTIONS FOR INSTALLATION AND MAINTENANCE

Lavatory-Mounted Soap Dispensers with Under-the-Counter Soap Reservoir Bobrick Models B-922 and B-9226

HOW TO MOUNT THE SOAP DISPENSER:

1. Unscrew the retaining nut from shank. Remove the spring washer.
2. Make sure the lavatory or countertop surface around the 1" (25mm) diameter mounting hole is clean and free of soap residue. Place supply tube and shank of soap dispenser through mounting hole. *Make sure the plastic and rubber washers are in place between the escutcheon and lavatory or countertop.*
3. Position spout over lavatory. Make sure the spout is aligned with rectangular hole in escutcheon (spout snaps into this position).
4. Place spring washer and retaining nut onto shank under the lavatory or countertop. Thread the retaining nut up **only until finger-tight** against the underside of lavatory or countertop.



HOW TO INSTALL THE SOAP RESERVOIR SYSTEM:

CAUTION: *The following instructions are a general guide only. Variations in design and construction of installations, such as location of plumbing, will affect the exact location of different elements of the system. This system has been designed for great adaptability by allowing on-site measuring and cutting of the black flexible hoses, clear elbows, and pipe connections as required.*

The wall surface on which the soap reservoir is to be mounted determines the specific type of mounting required for best installation:

For plaster or dry wall on studs, provide concealed backing and 1/4" (6mm) screws to secure system to wall. Backing must comply with local building codes.

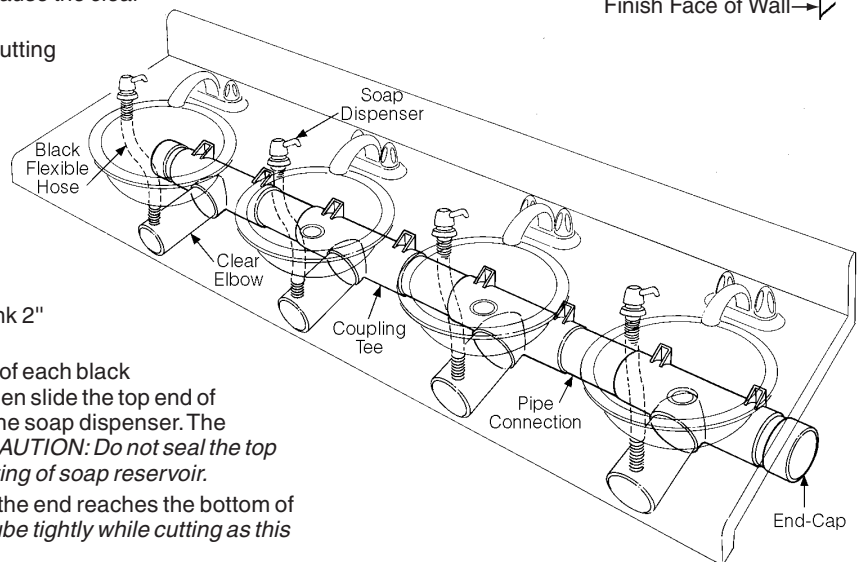
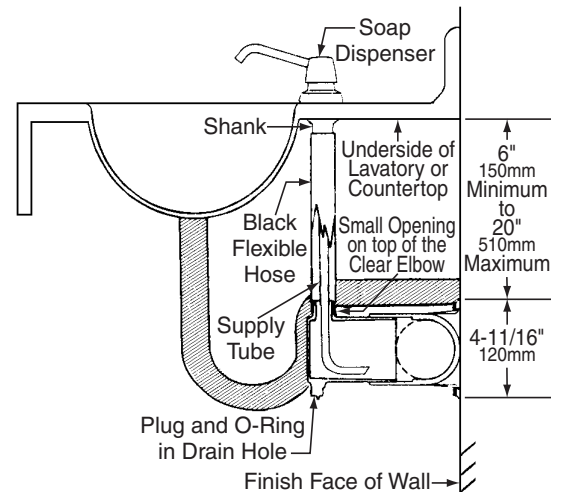
For brick, concrete, or solid tile walls, provide fiber plugs or expansion shields for use with 1/4" (6mm) mounting screws.

1. Mount one coupling tee for each soap dispenser. The centerline of the coupling tee should be within 6" (150mm) of the soap dispenser centerline. *Note: The black flexible hose and supply tube compensate for any offset alignment.* Use one coupling tee as a template to mark the mounting hole locations on the wall for 1/4" (6mm) mounting screws.
2. Layout and cut the pipe connections as required to connect all coupling tees and end-caps. Pipe connections are to 3" (75mm) ABS or PVC schedule 40 with 3-1/2" (90mm) outside diameter (88–90mm ABS or PVC Nominal pipe sizes).
3. Provide ABS/PVC or other multipurpose primer and pipe cement. Prime and glue pipe connections to the coupling tees and end-caps to create a continuous line of piping.
4. Mount the piping **plumb and level** to insure a consistent soap depth throughout the reservoir system.
5. Thread the plugs and o-rings into the drain holes on the underside of clear elbows.

CAUTION: *Do not overtighten the pipe plugs as this may cause the clear elbows to crack.*

6. Reduce the length of each clear elbow, if required, by cutting from the large open end.
7. Use ABS/PVC primer and pipe cement to connect each clear elbow to the appropriate coupling tee with the small opening on top pointing up toward the soap dispenser.
8. Place either end of the black flexible hose onto the small opening on top of the clear elbow. Then take the remaining length of hose and hold it up to the shank of the appropriate soap dispenser to determine where to cut the hose. The hose must overlap the shank 2" (50mm) minimum.
9. Use ABS/PVC pipe cement to connect the bottom end of each black flexible hose to the small opening of the clear elbow. Then slide the top end of the black flexible hose up over the threaded shank of the soap dispenser. The hose should overlap the shank 2" (50mm) minimum. **CAUTION:** *Do not seal the top end of hose — it must be left unsealed to allow for venting of soap reservoir.*
10. Cut at an angle each soap dispenser's supply tube so the end reaches the bottom of the clear elbow. **CAUTION:** *Do not stretch the supply tube tightly while cutting as this may result in the supply tube being too short.*
11. Insert supply tube through black flexible hose, making sure the angled end reaches the bottom of the clear elbow and that the tube is not kinked.
12. After pipe cement has set, run water through the soap reservoir to test for leaks. Drain the reservoir by removing the pipe plugs from the clear elbows.

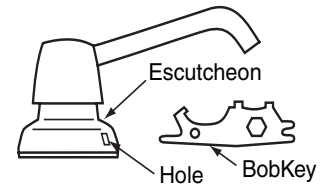
IMPORTANT NOTE: Mounting screws, end-caps, and pipe connections are not furnished. Provide 1/4" (6mm) screws, washers, and lock-washers. Purchase end-caps and pipe connections locally from plumbing supply wholesaler. Black ABS end-caps for 3" (75mm) standard pipe are available from Bobrick; order part No. 922-45.



continued . . .

HOW TO REFILL THE SOAP RESERVOIR:

1. On any one of the soap dispensers, turn the escutcheon clockwise slightly until it stops.
2. Insert the longest projection at end of BobKey into the rectangular hole of escutcheon; push straight in. While holding BobKey in, turn cover counterclockwise about 1/8 turn. **CAUTION: Do not use BobKey to turn escutcheon.**
3. Lift out the soap pump assembly enough to allow access to the entire shank opening for top filling. Lay the soap pump assembly conveniently aside on the lavatory or countertop while filling system; the supply tube can be left inserted in the shank.
4. Fill soap reservoir with soap. Watch the soap level in one of the clear elbows while filling. Do not over fill. Use commercially marketed all purpose hand soaps.



Designer's Note: Bobrick liquid soap dispensers are designed to dispense commercially marketed all purpose hand soaps including liquid and lotion soaps, synthetic detergents, and antibacterial soaps containing PCMX and or Triclosan. Bobrick soap dispensers are NOT designed to dispense alcohol-based hand sanitizers or iodine-based surgical soaps.

Note: An average system with three soap dispensers 30" (760mm) apart and a total pipe length of 7½ ft. (229cm) will have a capacity of approximately 3.0 gal. (11.4 L).

5. Replace soap pump assembly. Secure the escutcheon by turning it clockwise until lock snaps into position.

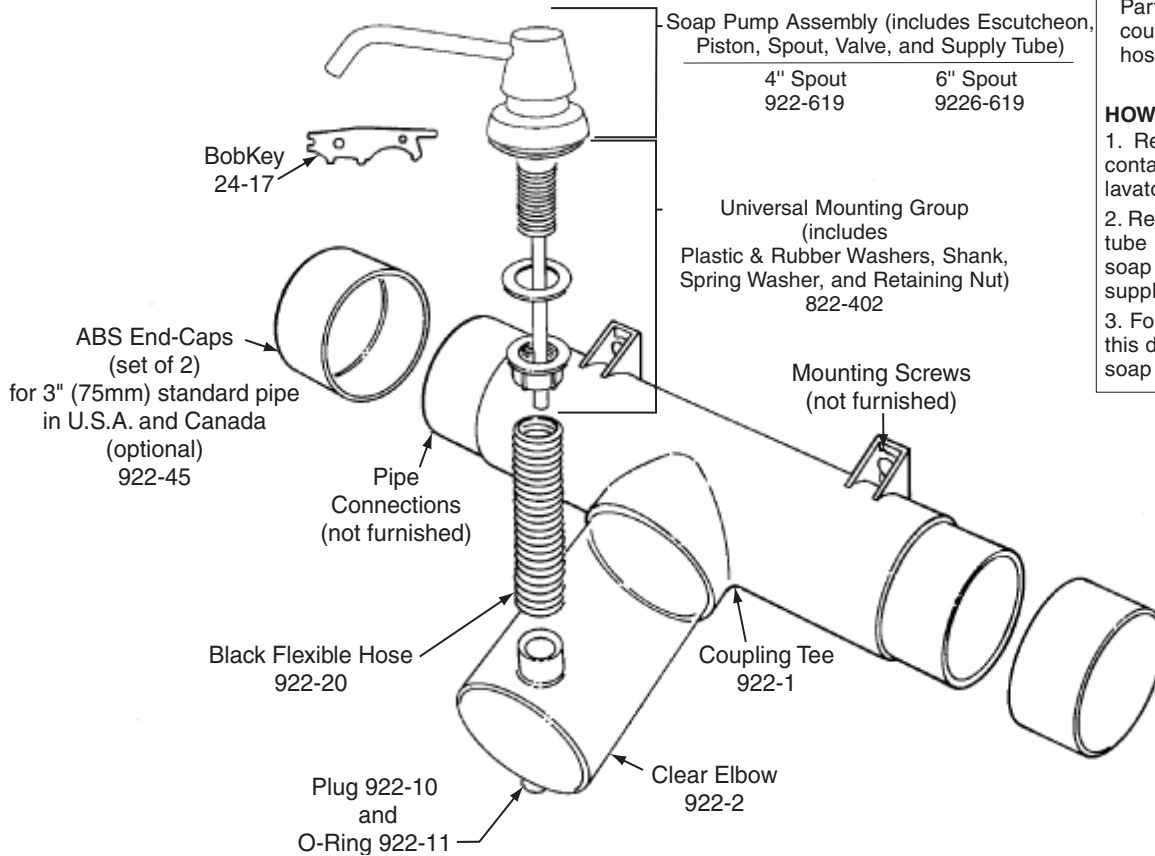
MAINTENANCE:

1. Never use abrasive cleaners on the soap dispensers.
2. The soap pump assembly should be removed from system and flushed by pumping warm water through it every six months.
3. At least once a year, flush the soap reservoir with warm water. Drain the system by removing the threaded plugs from the clear elbows. **CAUTION: Do not use solvents that could damage the ABS pipes.**

REPLACEMENT PARTS LIST

Soap Dispenser (includes Soap Pump Assembly, and Universal Mounting Group)

4" 100mm Spout	6" (150mm) Spout
922-405	9226-405



RETROFIT KIT FOR BOBRICK B-822 SERIES LAVATORY-MOUNTED SOAP DISPENSERS

Part No. 922-50 Retrofit Kit includes coupling tee, clear elbow, black flexible hose, supply tube, and plastic tie.

HOW TO INSTALL RETROFIT KIT:

1. Remove plastic soap container and container cap from existing B-822 Series lavatory-mounted soap dispenser.
2. Remove existing plastic tie and supply tube from the soap pump assembly of soap dispenser, then replace with those supplied with Retrofit Kit.
3. Follow instructions on reverse side of this document to complete installation of soap reservoir system.

BOBRICK

In the U.S.A.: BOBRICK WASHROOM EQUIPMENT, INC.

200 Commerce Drive, Clifton Park, New York 12065-1350 • Tel: (518) 877-7444 • FAX: 518-877-5029
11611 Hart Street, North Hollywood, California 91605-5882 • Tel: (818) 982-9600 • FAX: 818-503-1102
100 Bobrick Drive, Jackson, Tennessee 38301-5625 • Tel: (731) 424-7000 • FAX: 731-424-7800

In Canada: BOBRICK WASHROOM EQUIPMENT COMPANY

45 Rolark Drive, Scarborough, Ontario M1R 3B1 • Tel: (416) 298-1611 • FAX: 416-298-6351