

# SARGENT

## ASSA ABLOY

ASSA ABLOY, the global leader  
in door opening solutions

# INSTRUCTIONS FOR INSTALLING 3727 / NB3727 SERIES VERTICAL ROD EXIT DEVICE

FOR ASSISTANCE, CONTACT SARGENT AT 800-727-5477 or [www.sargentlock.com](http://www.sargentlock.com)

US PATENT NO. 268003  
CANADIAN PATENT NO. RD1981

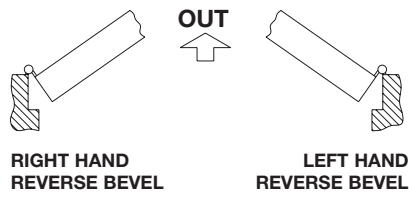
### CAUTION: BEFORE STARTING

- DOOR SHOULD BE FITTED AND HUNG
- CHECK BOX LABEL FOR HAND AND SIZE OF EXIT DEVICE

### AVAILABLE STOCK LENGTHS

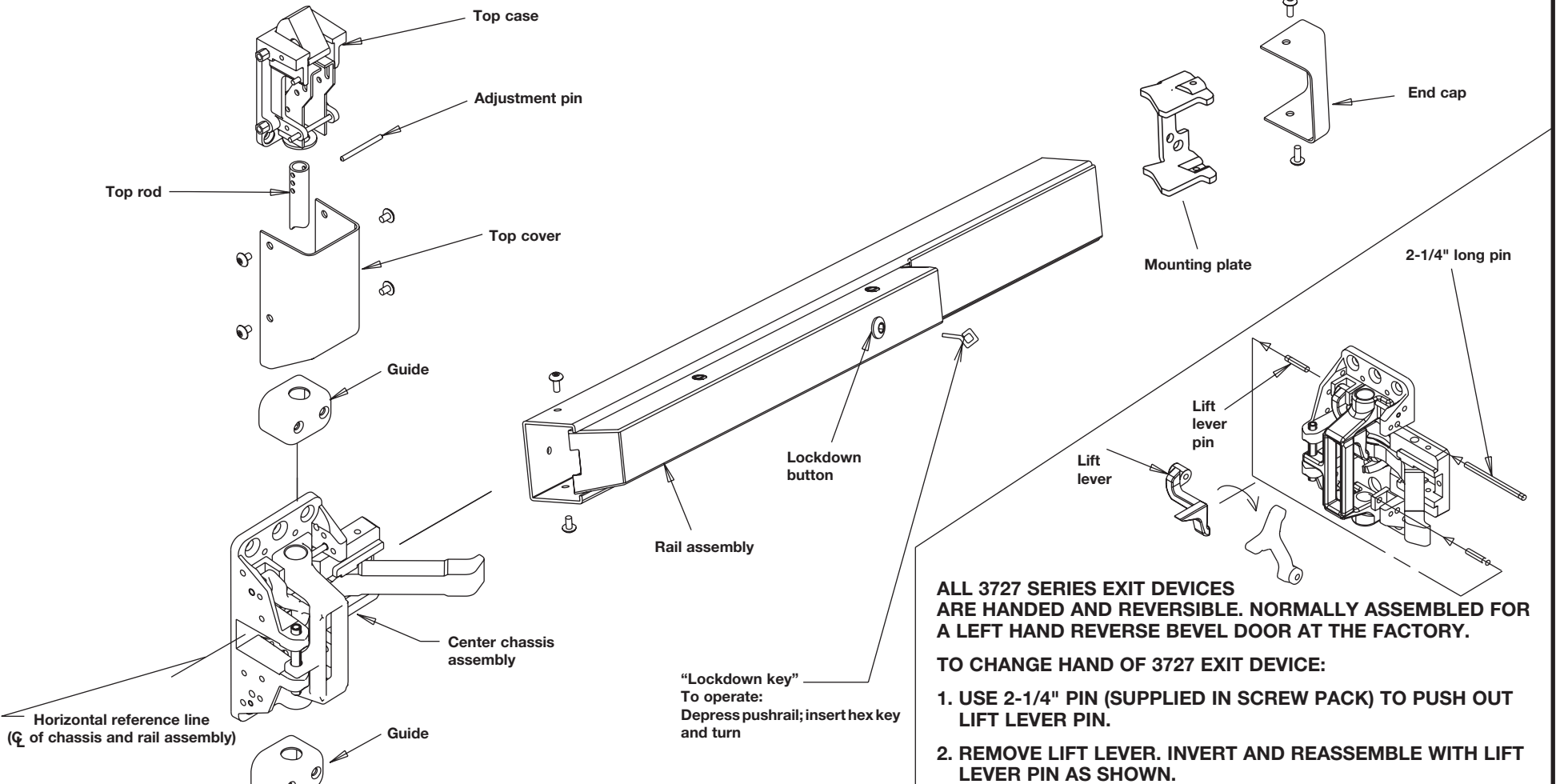
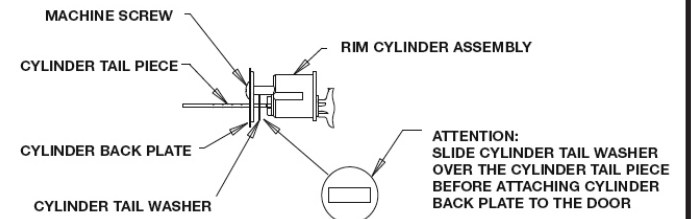
- LENGTH E 32" DOOR. CAN BE CUT TO FIT 24" DOOR.  
LENGTH F 36" DOOR. CAN BE CUT TO FIT 30" DOOR.  
LENGTH G 48" DOOR. CAN BE CUT TO FIT 36" DOOR.

### THIS EXIT DEVICE IS HANDED



### IMPORTANT

1. FOR RIM CYLINDER APPLICATIONS: INSTALL CYLINDER TAIL WASHER TO CYLINDER TAIL PIECE.
2. SURFACE OF THE DOOR WHERE EXIT DEVICE IS TO BE APPLIED, MUST BE FLUSH. CLEAR AWAY ANY RAISED PROJECTIONS TO ALLOW EXIT DEVICE TO REST ON FLAT SURFACE OF THE DOOR.

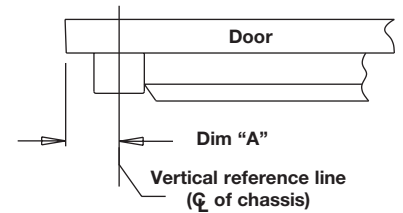
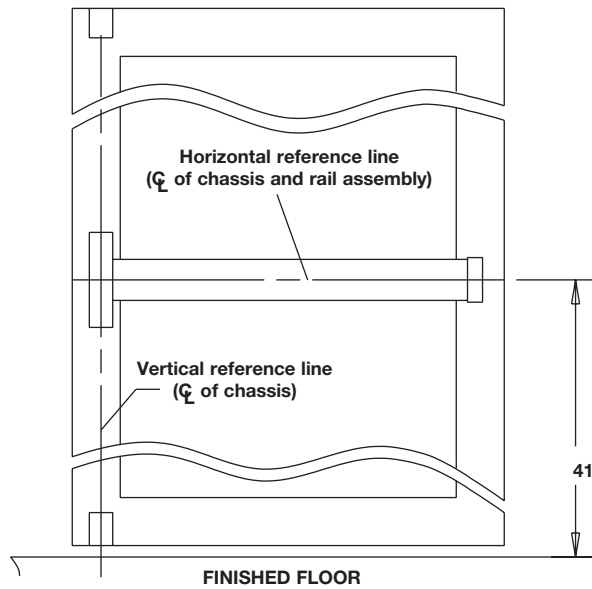


ALL 3727 SERIES EXIT DEVICES ARE HANDED AND REVERSIBLE. NORMALLY ASSEMBLED FOR A LEFT HAND REVERSE BEVEL DOOR AT THE FACTORY.

TO CHANGE HAND OF 3727 EXIT DEVICE:

1. USE 2-1/4" PIN (SUPPLIED IN SCREW PACK) TO PUSH OUT LIFT LEVER PIN.
2. REMOVE LIFT LEVER. INVERT AND REASSEMBLE WITH LIFT LEVER PIN AS SHOWN.

## 1. MARK VERTICAL AND HORIZONTAL REFERENCE LINES ON DOOR



### DETERMINE DIMENSION "A"

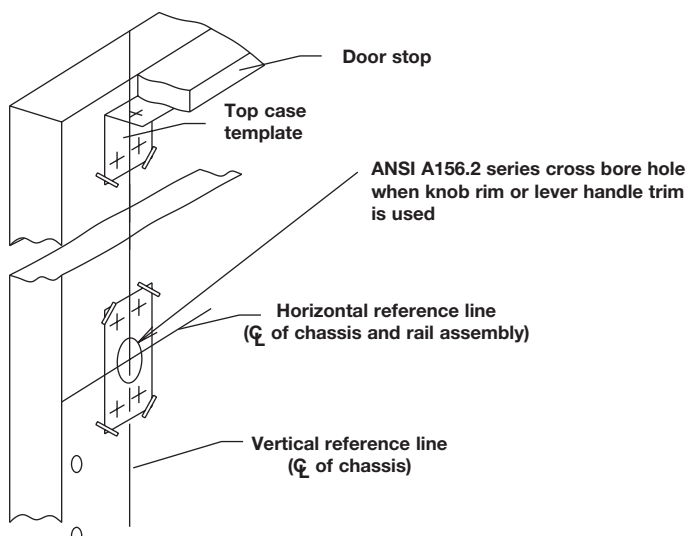
- IF LOCK STILE IS APPROX. 4-1/2" WIDE OR WIDER, DIM. A = 2-3/4"
- IF LOCK STILE IS LESS THAN 4-1/2" WIDE, DIM. A = 1/2 OF THE VISIBLE WIDTH OF THE LOCK STILE (WHEN DOOR IS CLOSED AGAINST STOP)

Refer to template to locate horizontal reference line

## 2. PREPARE DOOR

TAPE TEMPLATES ON INSIDE OF DOOR ALONG REFERENCE LINES WITH SUPPLIED TAPE

IF DOOR ALREADY HAS ANSI DOOR PREP (161 CUT-OUT) OR HAS 2-1/8" DIA. HOLE AT 2-3/4" BACKSET, POSITION TEMPLATE OVER EXISTING HOLE AND SPOT AND DRILL HOLES



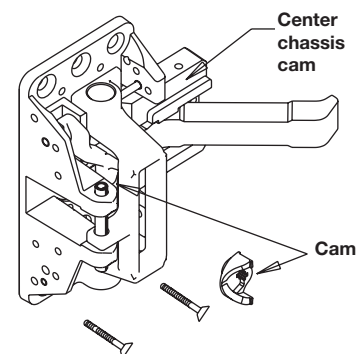
## 3. APPLY HARDWARE

### FOR LEVER TRIM APPLICATIONS

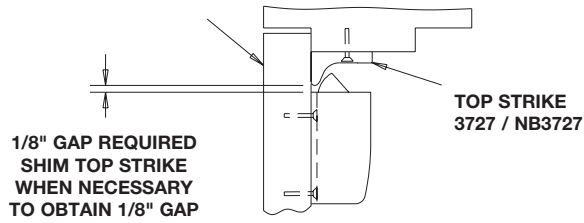
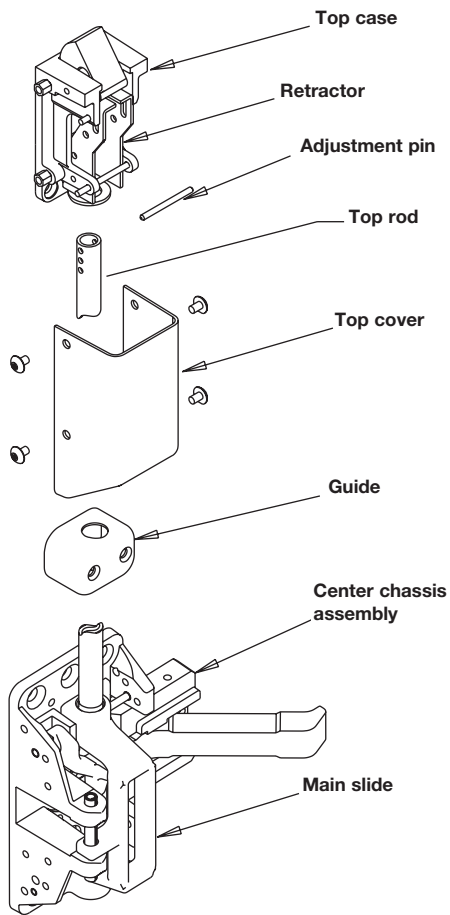
SEE SEPARATE INSTRUCTION SHEET PACKED WITH TRIM

### NOTE: FOR EXIT APPLICATIONS ONLY

REMOVE AND DISCARD CAM FROM CENTER CHASSIS FOR FLUSH MOUNTING. ATTACH CHASSIS WITH FOUR (4) #10 WOOD OR MACHINE SCREWS.



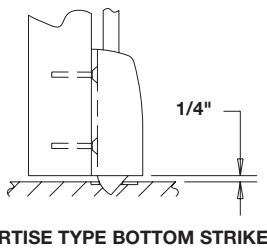
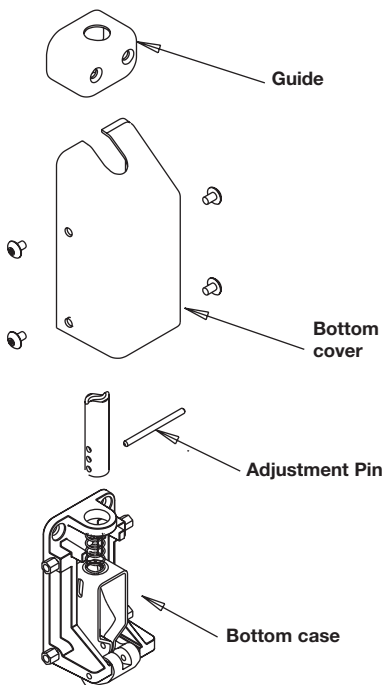
**4. 3727 INSTALL TOP & BOTTOM CASES**



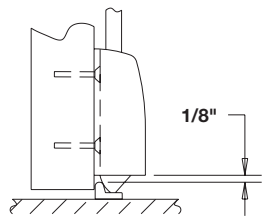
**3727**

1. MOUNT TOP STRIKE ACCORDING TO LOCATION MARKED IN SECOND STEP. USE #10 STEEL SCREWS PROVIDED
2. SCREW TOP ROD INTO MAIN SLIDE.
3. SLIDE GUIDE AND COVER ONTO TOP ROD AND ASSEMBLE TO TOP CASE BY INSERTING ADJUSTING PIN THRU RETRACTOR AND MIDDLE HOLE IN ROD (SEE ILLUSTRATION AT LEFT). ADJUST SO THAT TOP CASE MOUNTING HOLES LINE UP WITH LOCATION MARKED IN SECOND STEP.
4. MOUNT BOTTOM CASE IN SAME MANNER AS TOP CASE (SEE ILLUSTRATION AT LEFT). REFER TO ILLUSTRATIONS BELOW FOR MORTISE OR SURFACE APPLIED STRIKE APPLICATIONS.
5. SECURE ROD GUIDES

**NOTE:** IF SHORTER RODS ARE REQUIRED, CUT TO LENGTH AND DRILL Ø1/8" HOLE THROUGH.

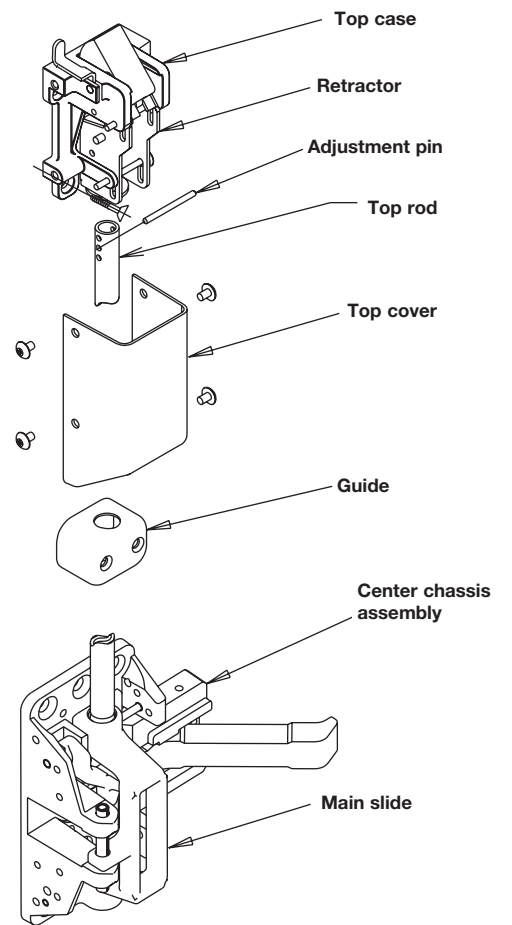


MORTISE TYPE BOTTOM STRIKE



SURFACE APPLIED BOTTOM STRIKE

**NB 3727 INSTALL TOP CASE**



**NB 3727**

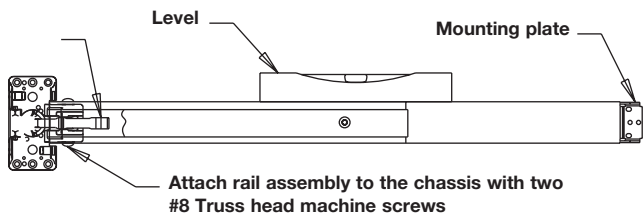
1. MOUNT TOP STRIKE ACCORDING TO LOCATION MARKED IN SECOND STEP. USE FOUR (4) #10 STEEL SCREWS AND MORTISE NUTS IN THE FOUR CORNER MOUNTING HOLES ILLUSTRATED IN THE TOP CASE.
2. SCREW TOP ROD INTO MAIN SLIDE
3. SLIDE ROD GUIDE AND COVER ONTO TOP ROD AND ASSEMBLE TO TOP CASE BY INSERTING ADJUSTING PIN THRU RETRACTOR AND MIDDLE HOLE IN ROD (SEE ILLUSTRATION AT RIGHT). ADJUST SO THAT TOP CASE MOUNTING HOLES LINE UP WITH LOCATION MARKED IN SECOND STEP.

**NOTE:** IF SHORTER RODS ARE REQUIRED, CUT TO LENGTH AND DRILL .125 / 1/8" DIA THROUGH HOLES

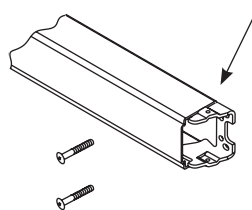
**5. INSTALL RAIL ASSEMBLY**

• CHECK BOX LABEL.

- (A) DEPRESS ARM INTO RAIL OPENING AND SLIDE RAIL ONTO CHASSIS. LEVEL RAIL AND FASTEN MOUNTING PLATE**

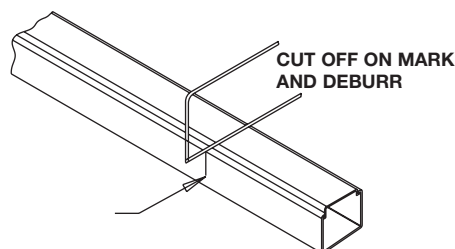
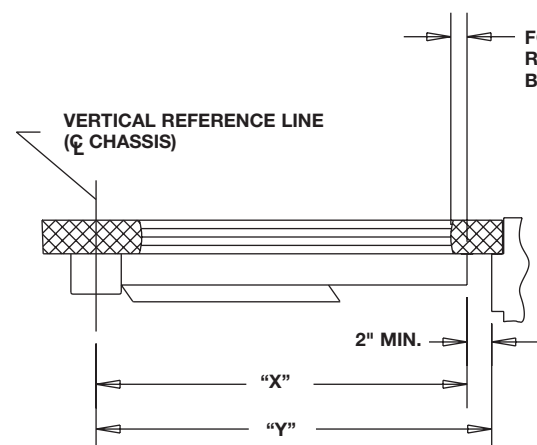


PLACE MOUNTING PLATE TIGHT AGAINST RAIL AND ATTACH IT TO THE DOOR WITH #10 ROUND HEAD SCREWS



**RAIL CUTTING INSTRUCTIONS**

- (B) DETERMINE CUT OFF DIMENSION "X" BY SUBTRACTING 2" FROM DIMENSION "Y"**



**6. APPLY COVERS**

